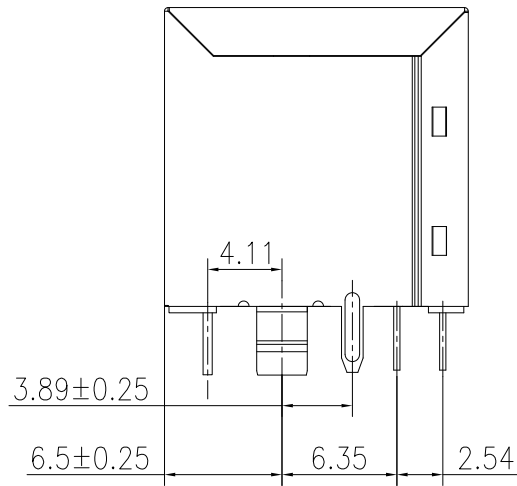
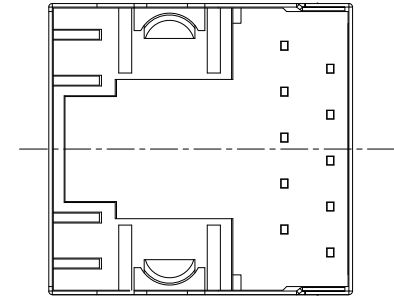
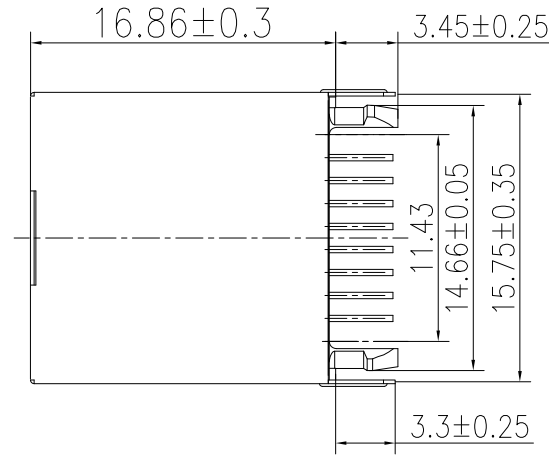
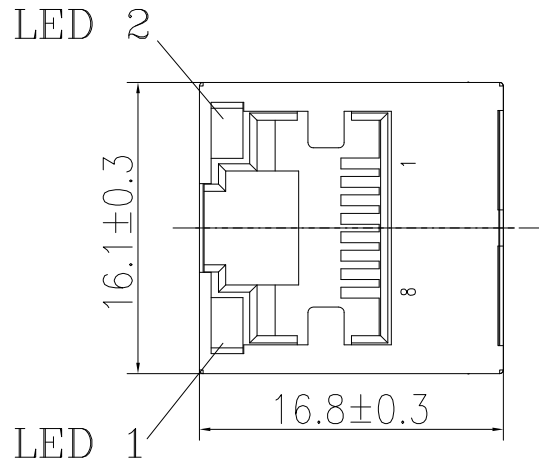


1. MECHANICAL DIMENSIONS :



MATERIAL:

- 1.HOUSING: PBT+GLASS FILLED (UL 94V-0),BLACK
- 2.CONTACTS: 0.35mm THICKNESS PHOSPHOR BRONZE  
ALLOY SELECTIVE GOLD PLATING OVER NICKEL
- 3.SHIELDING: 0.2mm THICKNESS COPPER ALLOY WITH TIN PLATED
- 4.GOLD PLATING: GOLD PLATING 30u" ON CONTACT AERA
- 5.JACK CAVITY CONFORMS TO FCC RULES AND REGULATIONS,PART 68 SUBPART F

REV.	ECN. NO.	DRAWN	DATE
A	NEW	JOHN	29/05/2015

DST-conn Tech. Co., Ltd.

**HSF**

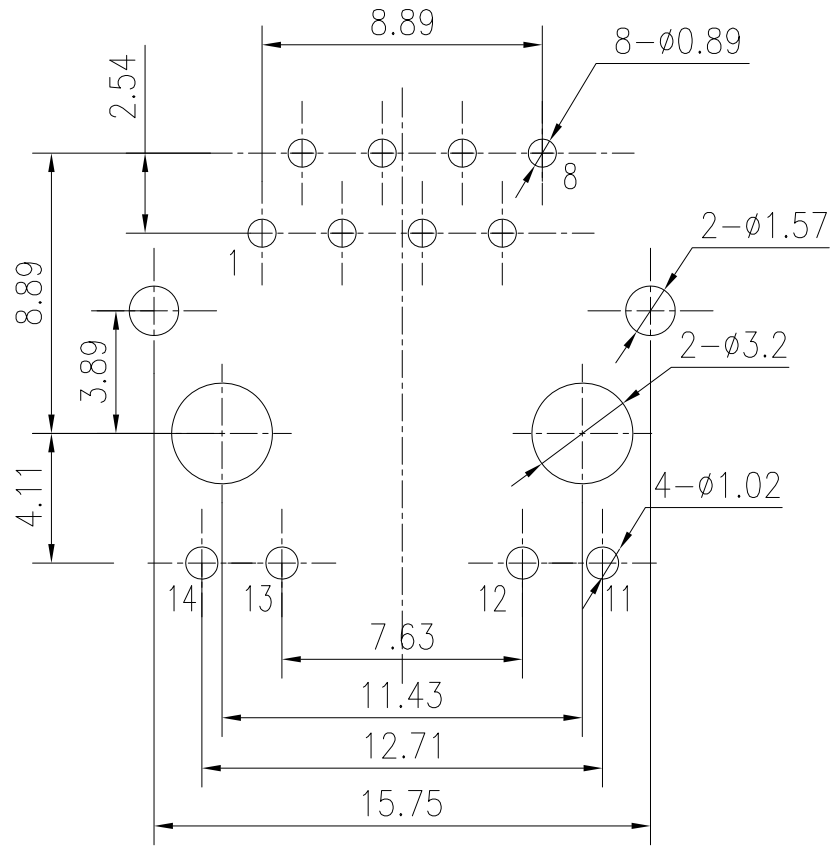
Compliant

⊗:QUALITY CONTROL ITEM		GENERAL TOLERANCE		PART NO.: 11BVAD-xxxx-xxx			
APPROVED		.X± 0.38	X.'± 2'	TITLE:RJ45 1X1 180D PBT 100/1000 MBPS 8P8C			
CHECKED		.XX± 0.25	.X'± 1'				
DRAWN		.XXX± 0.13		UNIT: mm	SCALE: 1:1	SHEET: 1/4	REV.: A

說明: △ :備註 ◇ :版本變更 ① :尺寸序號 ■ :重點尺寸 ▼ :CPK尺寸

SIZE: A4

## 2. PCB LAYOUT :



SUGGESTED PCB LAYOUT  
(TOP VIEW)  
DIMENSIONAL TOLERANCE: .XX ±0.05[0.002]

## 3. LED SCHEMATIC :



REV.	ECN. NO.	DRAWN	DATE
A	NEW	JOHN	29/05/2015

**DST**-conn Tech. Co., Ltd.

**HSF**

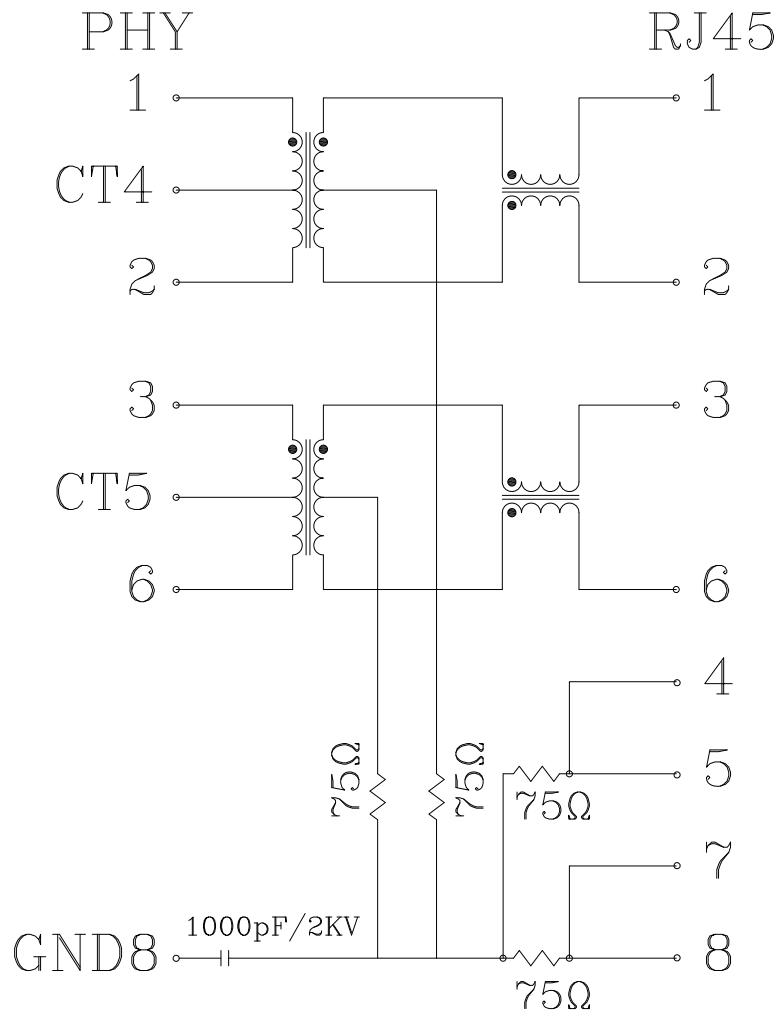
Compliant

⊗:QUALITY CONTROL ITEM		GENERAL TOLERANCE	PART NO.:
APPROVED		.X± 0.38 X:± 2'	11BVAD-xxxx-xxx
CHECKED		.XX± 0.25 .X'± 1'	TITLE:RJ45 1X1 180D PBT
DRAWN		.XXX± 0.13	100/1000 MBPS 8P8C
	UNIT: mm	SCALE: 1:1	SHEET: 2/4
			REV.: A

説明: △ :備註 ◇ :版本變更 ① :尺寸序號 ■ :重點尺寸 ▼ :CPK尺寸

SIZE: A4

4. SCHEMATIC :



5. ELECTRICAL CHARACTERISTICS :

ELECTRICAL SPECIFICATIONS:

TEST NOTES:(25°±5°C)

1.TR:(100KHz,0.1V); 100%

PINS:(P1,P2):(J1,J2)=1:1±3%;(P3,P6):(J3,J6)=1:1±3%

2.LX:(100KHz,100mV,8mA, DC Bias) 100%

PINS:(P1,P2),(P3,P6)=350uH MINIMUM

3.DCR: 100%

PINS:(J1,J2),(J3,J6),(J4,J5),(J7,J8)=1.2 OHM MAXIMUM

4.HIPOT: 100%

PINS(P1,P2)TO(J1,J2),(P3,P6)TO(J3,J6)

=1500VAC FOR 60 SECONDS

5.INSERTION LOSS:

-1.0dB MAXIMUM AT 1MHz TO 100MHz

6.RETURN LOSS:

-18dB MINIMUM AT 1MHz TO 30MHz;

-16dB MINIMUM AT 30MHz TO 60MHz;

-12dB MINIMUM AT 60MHz TO 100MHz;

7.CROSS TALK:

-30dB MINIMUM AT 1MHz TO 100MHz

8.COMMON TO COMMON MODE REJECTION:

-30dB MINIMUM AT 1MHz TO 100MHz

REV.	ECN. NO.	DRAWN	DATE
A	NEW	JOHN	29/05/2015

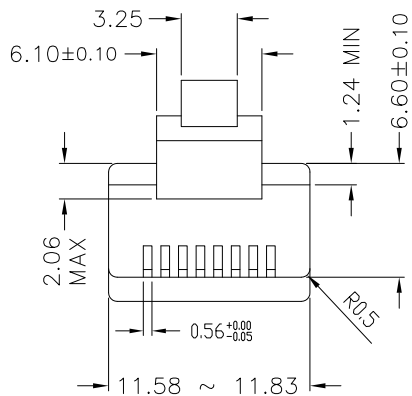
DST-conn Tech. Co., Ltd.



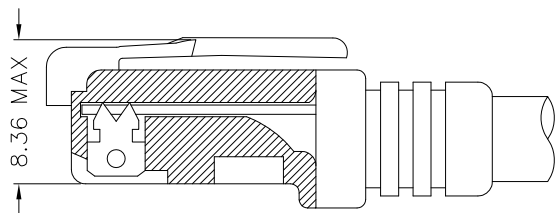
⊗:QUALITY CONTROL ITEM		GENERAL TOLERANCE	PART NO.:
APPROVED		.X± 0.38 X.'± 2'	11BVAD-xxxx-xxx
CHECKED		.XX± 0.25 .X'± 1'	TITLE:RJ45 1X1 180D PBT
DRAWN		.XXX± 0.13	100/1000 MBPS 8P8C
		UNIT: mm	SCALE: 1:1
			SHEET: 3/4
			REV.: A

説明: △ :備註 ◇ :版本變更 ① :尺寸序號 ■ :重點尺寸 ▼ :CPK尺寸

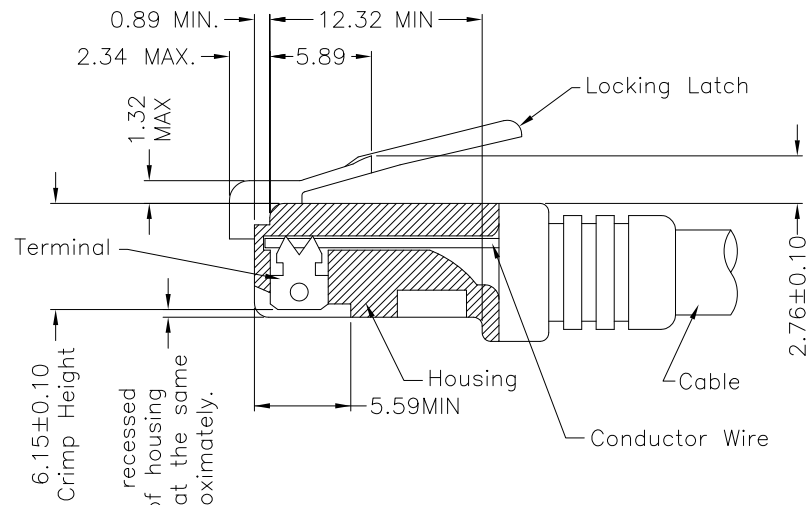
SIZE: A4



- \* There must be no damage to housing or locking latch. There must be no nicks or cuts in cable.
- \* Durability : 750 cycles generally



FOLLOW SPECIFICATION : FCC, PART 68, SUBPART F  
FIGURE 68.500 (C)(2)(ii)



All contacts recessed below top of housing and must be at the same height approximately.

FOLLOW SPECIFICATION : FCC, PART 68,  
SUBPART F FIGURE 68.500 (C)(2)(i)  
AND IEC 603-7 FIGURE 23 & 24

STANDARD MODULAR PLUG ASSEMBLY

REV.	ECN. NO.	DRAWN	DATE
A	NEW	JOHN	29/05/2015

**DST**-conn Tech. Co., Ltd.

**HSF**

Compliant

⊗:QUALITY CONTROL ITEM		GENERAL TOLERANCE	PART NO.:
APPROVED		.X± 0.38 X.'± 2'	11BVAD-xxxx-xxx
CHECKED		.XX± 0.25 .X'± 1'	TITLE:RJ45 1X1 180D PBT
DRAWN		.XXX± 0.13	100/1000 MBPS 8P8C
		UNIT: mm	SCALE: 1:1
			SHEET: 4/4
			REV.: A

説明: △ :備註 ◇ :版本變更 ① :尺寸序號 ■ :重點尺寸 ▼ :CPK尺寸

SIZE: A4