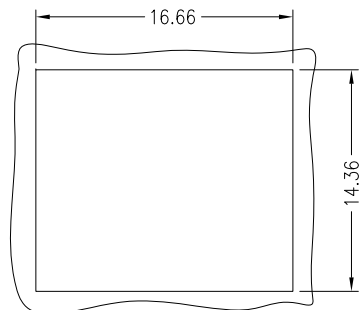
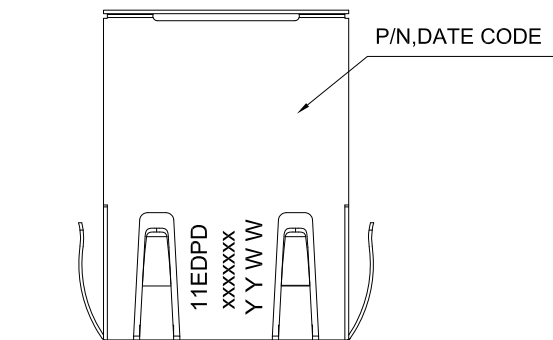
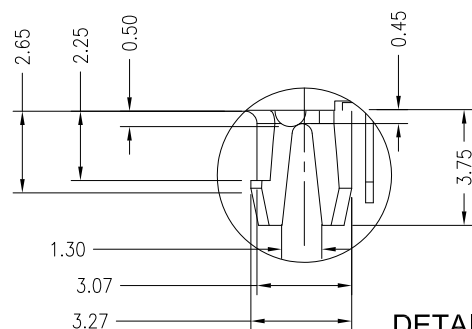
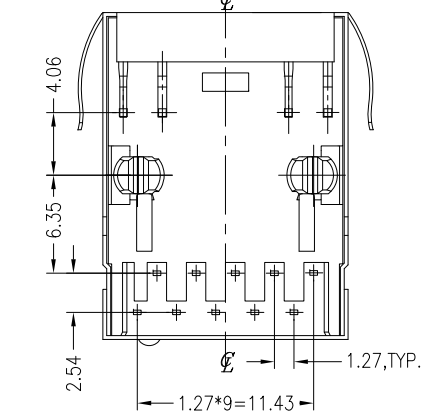
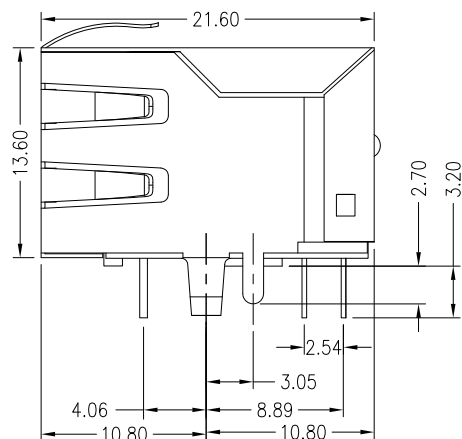
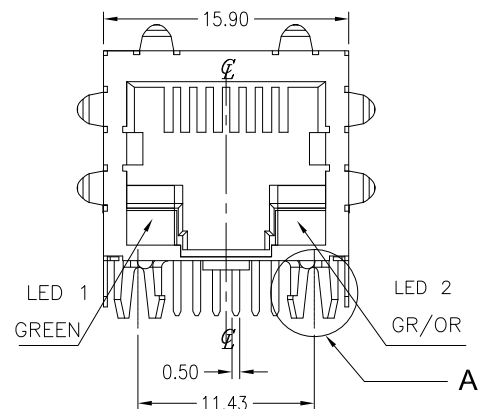


1. MECHANICAL DIMENSIONS :



RECOMMENDED  
PANEL CUTOUT DIMENSION



DETAIL A  
SCALE 2:1

NOTES:

1. MATERIALS:

HOUSING -PBT POLYESTER UL94V-0  
MIXED GLASS FIBER.  
STANDARD COLOR-BLACK.

CONTACTS -0.35mm THICK PHOS-BRONZE PLATED  
WITH GOLD 6u" ON CONTACT AREA AND  
MATTE TIN IN SOLDER AREA.

SHIELD-0.25mm THICK COPPER ALLOY,  
PLATED WITH NICKEL.

2. CAVITY CONFIRMS TO FCC RULES AND REGULATIONS  
PART 68,SUBPART F.

REV.	ECN. NO.	DRAWN	DATE
A	NEW	JOHN	10/06/2015

DST-conn Tech. Co., Ltd.

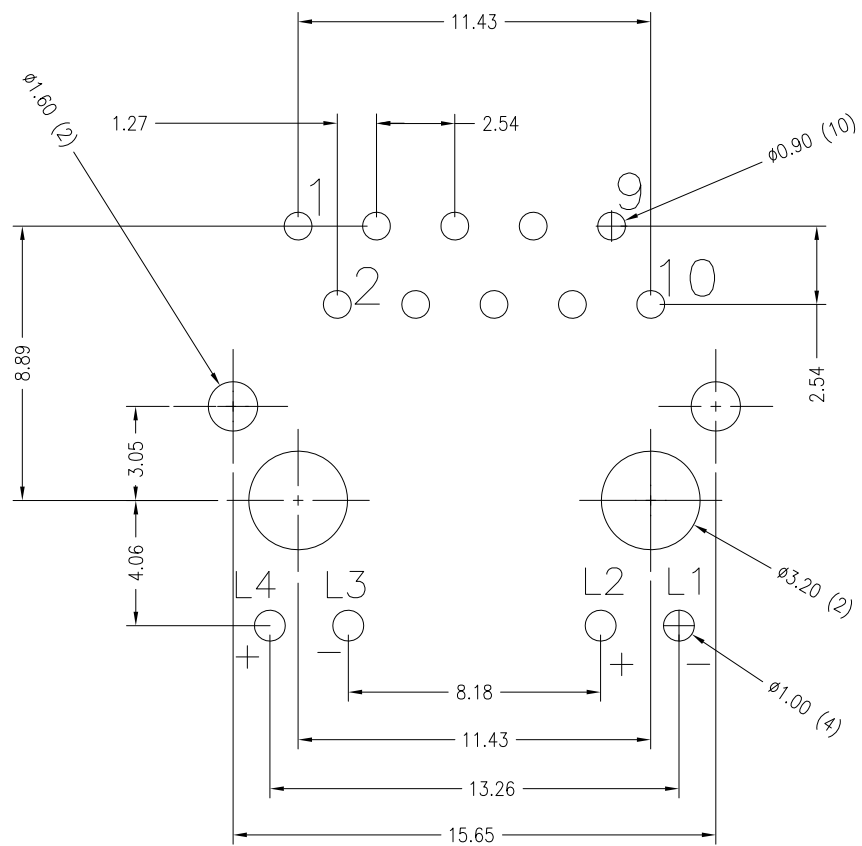


⊗:QUALITY CONTROL ITEM		GENERAL TOLERANCE	PART NO.: 11EDPD-xxxx-xxx	
APPROVED		.X± 0.38 X.'± 2'	TITLE:RJ45 1X1 TAB DOWN 10P8C 100/1000MBPS FILTER	
CHECKED		.XX± 0.25 .X'± 1'		
DRAWN		.XXX± 0.13		
UNIT: mm		SCALE: 1:1	SHEET: 1/4	REV.: A

説明: △ :備註 ◇ :版本變更 ④ :尺寸序號 ■ :重點尺寸 ▼ :CPK尺寸

SIZE: A4

## 2. PCB LAYOUT :

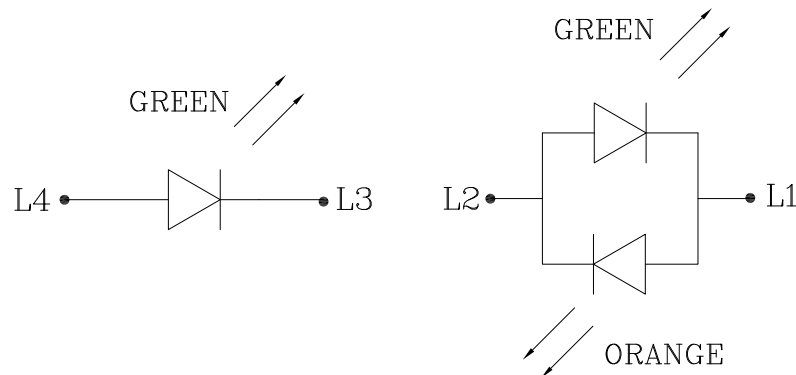


SUGGESTED PCB LAYOUT

(TOP VIEW)

DIMENSIONAL TOLERANCE: .XX ±0.05[0.002]

## 3. LED CONFIGURATION :



REV.	ECN. NO.	DRAWN	DATE
A	NEW	JOHN	10/06/2015

DST-conn Tech. Co., Ltd.

**HSP**

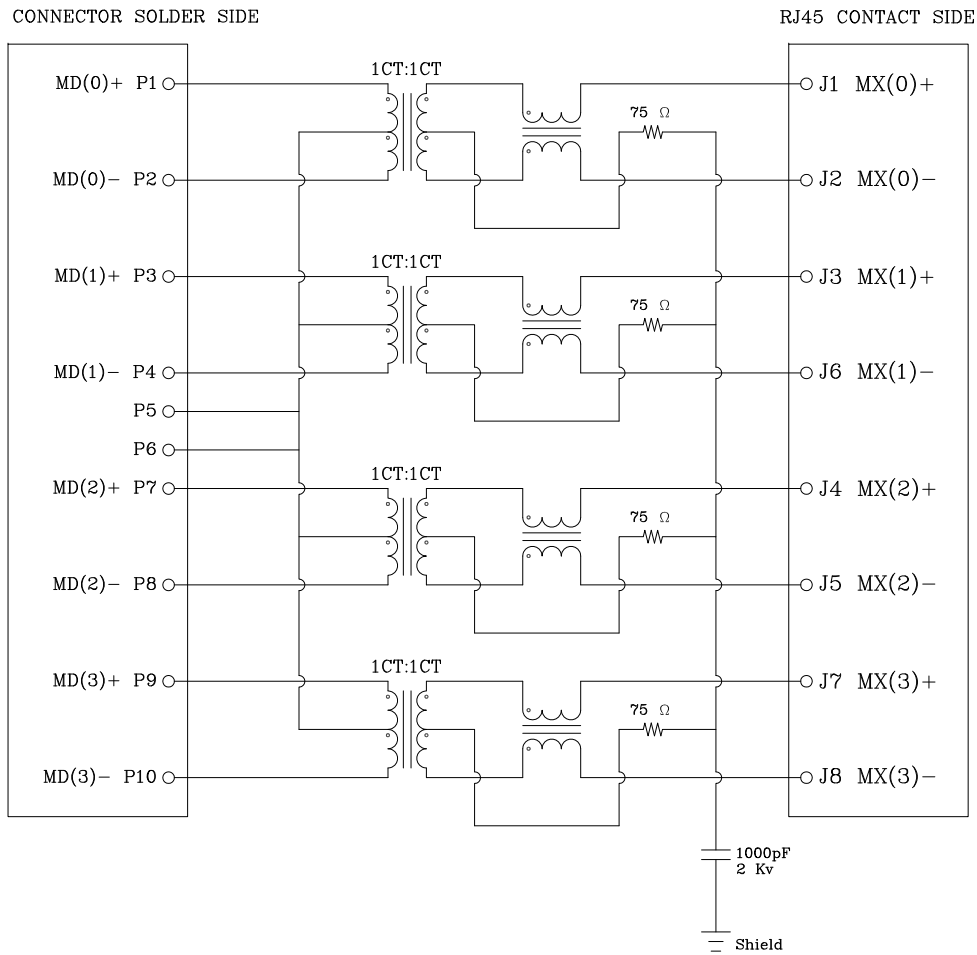
Compliant

⊗:QUALITY CONTROL ITEM		GENERAL TOLERANCE	PART NO.: 11EDPD-xxxx-xxx
APPROVED		.X± 0.38 X:± 2'	TITLE:RJ45 1X1 TAB DOWN 10P8C 100/1000MBPS FILTER
CHECKED		.XX± 0.25 .X:± 1'	
DRAWN		.XXX± 0.13	SCALE: 1:1 SHEET: 2/4 REV.: A

説明: △ :備註 ◇ :版本變更 ④ :尺寸序號 ■ :重點尺寸 ▼ :CPK尺寸

SIZE: A4

## 4. SCHEMATIC:



## 5. ELECTRICAL CHARACTERISTICS :

TEST NOTES:(25°±5°C)

- TR:(100KHz,0.1V); 100%  
PINS:(P1,P2):(J1,J2)=1:1±3%;(P3,P4):(J3,J6)=1:1±3%  
PINS:(P7,P8):(J4,J5)=1:1±3%;(P9,P10):(J7,J8)=1:1±3%
- LX:(100KHz,100mV,8mA, DC Bias) 100%  
PINS:(P1,P2),(P3,P4)=350uH MINIMUM  
PINS:(P7,P8),(P9,P10)=350uH MINIMUM
- DCR: 100%  
PINS:(J1,J2),(J3,J6)=1.2 OHM MAXIMUM  
PINS:(J4,J5),(J7,J8)=1.2 OHM MAXIMUM
- HIPOT: 100%  
PINS(P1,P2)TO(J1,J2),(P3,P4)TO(J3,J6)=1500VAC FOR 60 SECONDS  
PINS(P7,P8)TO(J4,J5),(P9,P10)TO(J7,J8)=1500VAC FOR 60 SECONDS
- INSERTION LOSS:  
-1.0dB MAXIMUM AT 1MHz TO 100MHz;
- RETURN LOSS:  
-20dB MINIMUM AT 1MHz TO 30MHz;  
-15dB MINIMUM AT 30MHz TO 60MHz  
-10dB MINIMUM AT 60MHz TO 80MHz
- CROSS TALK:  
-30dB MINIMUM AT 1MHz TO 100MHz
- COMMON TO COMMON MODE REJECTION:  
-30dB MINIMUM AT 1MHz TO 100MHz

REV.	ECN. NO.	DRAWN	DATE
A	NEW	JOHN	10/06/2015

**DST**-conn Tech. Co., Ltd.



⊗:QUALITY CONTROL ITEM		GENERAL TOLERANCE	PART NO.: 11EDPD-xxxx-xxx			
APPROVED		.X± 0.38 X.'± 2'	TITLE:RJ45 1X1 TAB DOWN 10P8C 100/1000MBPS FILTER			
CHECKED		.XX± 0.25 .X'± 1'				
DRAWN		.XXX± 0.13	UNIT: mm	SCALE: 1:1	SHEET: 3/4	REV.: A

説明: △ :備註 ◇ :版本變更 ④ :尺寸序號 ■ :重點尺寸 ▼ :CPK尺寸

SIZE: A4

1 2 3 4 5 6 7 8

F

E

D

C

B

A

F

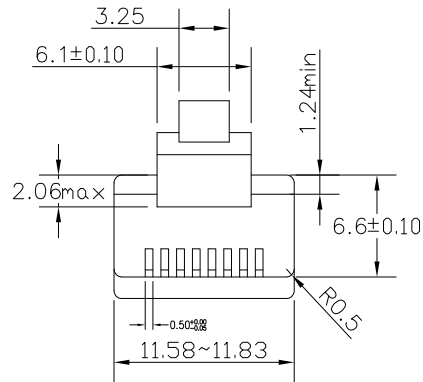
E

D

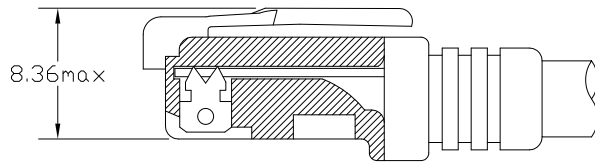
C

B

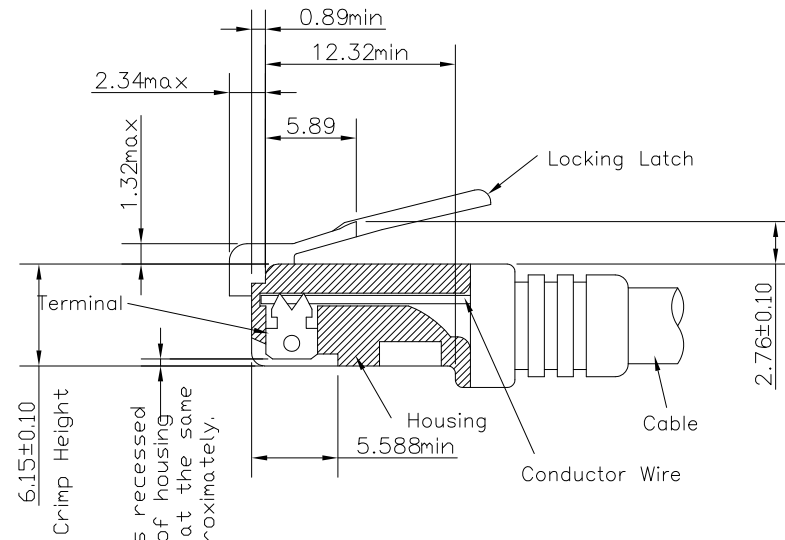
SIZE: A4



- \* There must be no damage to housing or locking latch. There must be no nicks or cuts in cable.
- \* Durability : 750 cycles generally



FOLLOW SPECIFICATION : FCC, PART 68, SUBPART F FIGURE 68.500 (C)(2)(ii)



All contacts recessed below top of housing and must be at the same height approximately.

FOLLOW SPECIFICATION : FCC, PART 68, SUBPART F FIGURE 68.500 (C)(2)(i) AND IEC 603-7 FIGURE 23 & 24

STANDARD MODULAR PLUG ASSEMBLY

REV.	ECN. NO.	DRAWN	DATE
A	NEW	JOHN	10/06/2015

**DST**-conn Tech. Co., Ltd.



⊗:QUALITY CONTROL ITEM		GENERAL TOLERANCE	PART NO.: 11EDPD-xxxx-xxx	
APPROVED		.X± 0.38 X:± 2'	TITLE:RJ45 1X1 TAB DOWN 10P8C 100/1000MBPS FILTER	
CHECKED		.XX± 0.25 .X:± 1'		
DRAWN		.XXX± 0.13		
UNIT: mm		SCALE: 1:1	SHEET: 4/4	REV.: A

1

2

3

説明: △ :備註 ◇ :版本變更 ⑨ :尺寸序號 ■ :重點尺寸 ▼ :CPK尺寸