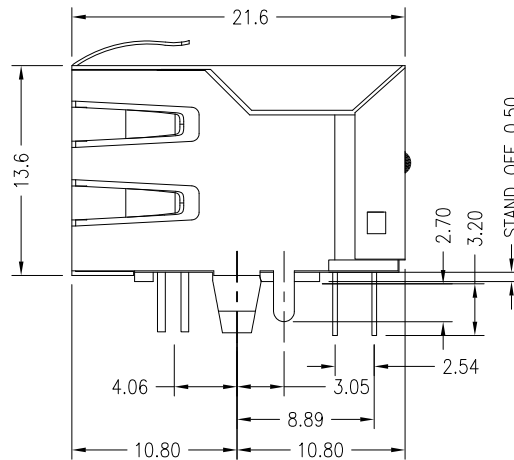
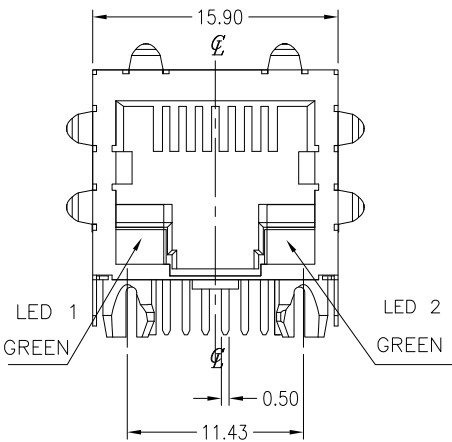
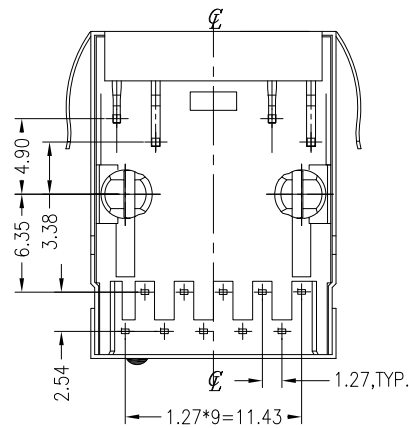
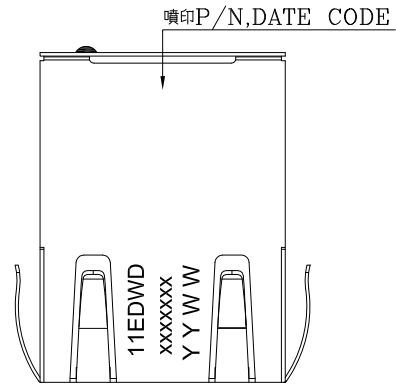
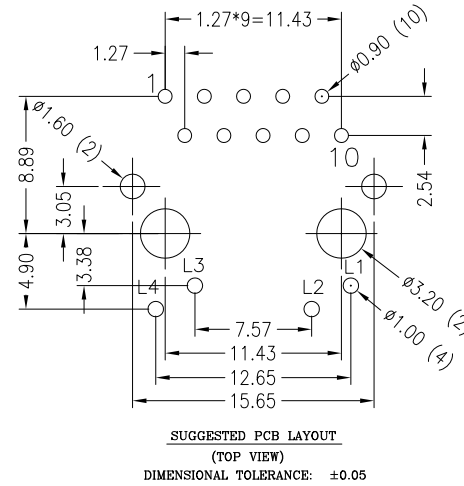


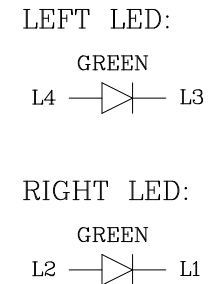
1. MECHANICAL DIMENSIONS :



2. PCB LAYOUT :



3. LED CONFIGURATION :



NOTES:

1. MATERIALS:

HOUSING: PBT POLYESTER UL94V-0
MIXED GLASS FIBER.
STANDARD COLOR-BLACK.

CONTACTS: 0.35mm THICK PHOS-BRONZE PLATED
WITH GOLD ON CONTACT AREA AND
MATTE TIN IN SOLDER AREA.

SHIELD: 0.25mm THICK COPPER ALLOY,
PLATED WITH NICKEL.

2. CAVITY CONFIRMS TO FCC RULES AND REGULATIONS
PART 68,SUBPART F.

REV.	ECN. NO.	DRAWN	DATE
A	NEW	John	10/06/2015

DST-conn Tech. Co., Ltd.

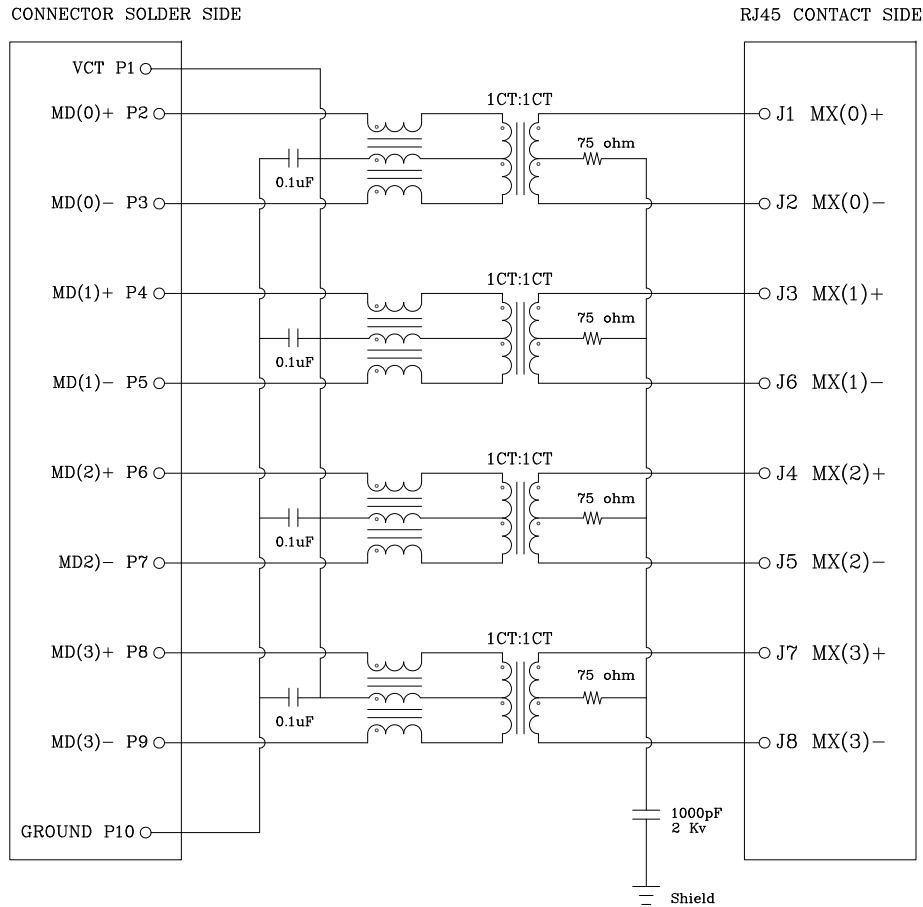


⊗:QUALITY CONTROL ITEM	GENERAL TOLERANCE	PART NO.:
APPROVED	.X± 0.38 X.'± 2'	11EDWD-xxxx-xxx
CHECKED	.XX± 0.25 .X'± 1'	TITLE:RJ45 1X1 TAB DOWN 10P8C
DRAWN	.XXX± 0.13	100/1000MBPS FILTER
UNIT: mm	SCALE: 1:1	SHEET: 1/3
		REV.: A

説明: △ :備註 ◇ :版本變更 ① :尺寸序號 ■ :重點尺寸 ▼ :CPK尺寸

SIZE: A4

4. SCHEMATIC:



5. ELECTRICAL CHARACTERISTICS :

TEST NOTES:(25±5°C)

- TR:(100KHz,0.1V); 100%
 PINS:(P2,P3):(J1,J2)=1:1±3%;(P4,P5):(J3,J6)=1:1±3%
 PINS:(P6,P7):(J4,J5)=1:1±3%;(P8,P9):(J7,J8)=1:1±3%
- LX:(100KHz,100mV,8mA, DC Bias) 100%
 PINS:(P2,P3),(P4,P5),(P6,P7),(P8,P9)=350uH MINIMUM
- DCR: 100%
 PINS:(J1,J2),(J3,J6),(J4,J5),(J7,J8)=1.2 Ω MAXIMUM
- HIPOT: 100%
 PINS(P2,P3)TO(J1,J2),(P4,P5)TO(J3,J6)=1500VAC OR 2250VDC FOR 60 SECONDS
 PINS(P6,P7)TO(J4,J5),(P8,P9)TO(J7,J8)=1500VAC OR 2250VDC FOR 60 SECONDS
- INSERTION LOSS:
 -1.0dB MAXIMUM AT 1MHz TO 100MHz;
- RETURN LOSS:
 -20dB MINIMUM AT 1MHz TO 30MHz;
 -15dB MINIMUM AT 30MHz TO 60MHz
 -10dB MINIMUM AT 60MHz TO 80MHz
- CROSS TALK:
 -30dB MINIMUM AT 1MHz TO 100MHz
- COMMON TO COMMON MODE REJECTION:
 -30dB MINIMUM AT 1MHz TO 100MHz

REV.	ECN. NO.	DRAWN	DATE
A	NEW	John	10/06/2015

DST-conn Tech. Co., Ltd.



⊗:QUALITY CONTROL ITEM		GENERAL TOLERANCE		PART NO.: 11EDWD-xxxx-xxx		
APPROVED		.X± 0.38	X.'± 2'	TITLE:RJ45 1X1 TAB DOWN 10P8C		
CHECKED		.XX± 0.25	.X'± 1'	100/1000MBPS FILTER		
DRAWN		.XXX± 0.13		UNIT: mm	SCALE: 1:1	SHEET: 2/3
						REV.: A

説明: △ :備註 ◇ :版本變更 ⑨ :尺寸序號 ■ :重點尺寸 ▼ :CPK尺寸

SIZE: A4

1 2 3 4 5 6 7 8

F

E

D

C

B

A

F

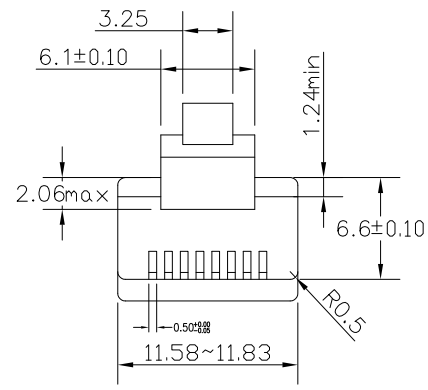
E

D

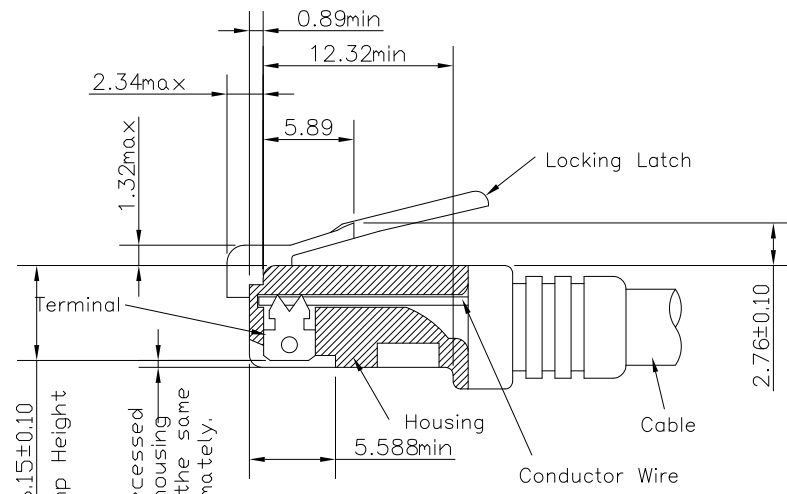
C

B

SIZE: A4



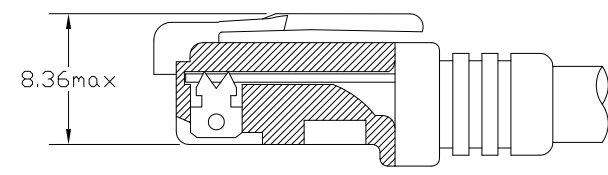
* There must be no damage to housing or locking latch. There must be no nicks or cuts in cable.
 * Durability : 750 cycles generally



All contacts recessed below top of housing and must be at the same height approximately.

FOLLOW SPECIFICATION : FCC, PART 68, SUBPART F FIGURE 68.500 (C)(2)(i) AND IEC 603-7 FIGURE 23 & 24

STANDARD MODULAR PLUG ASSEMBLY



FOLLOW SPECIFICATION : FCC, PART 68, SUBPART F FIGURE 68.500 (C)(2)(ii)

REV.	ECN. NO.	DRAWN	DATE
A	NEW	John	10/06/2015

DST-conn Tech. Co., Ltd.



⊗:QUALITY CONTROL ITEM	GENERAL TOLERANCE .X± 0.38 X:± 2' .XX± 0.25 .X:± 1' .XXX± 0.13	PART NO.: 11EDWD-xxxx-xxx
APPROVED		TITLE:RJ45 1X1 TAB DOWN 10P8C 100/1000MBPS FILTER
CHECKED		
DRAWN	UNIT: mm	SCALE: 1:1 SHEET: 3/3 REV.: A

1 2 3 説明: △ :備註 ◇ :版本變更 ㊟ :尺寸序號 ■ :重點尺寸 ▼ :CPK尺寸