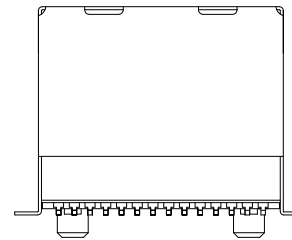
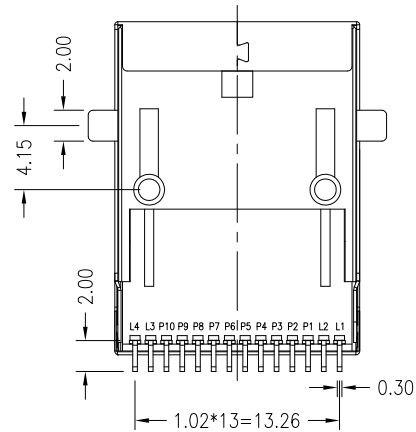
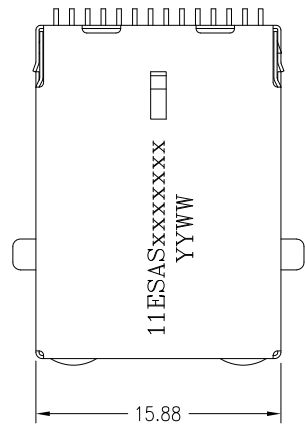
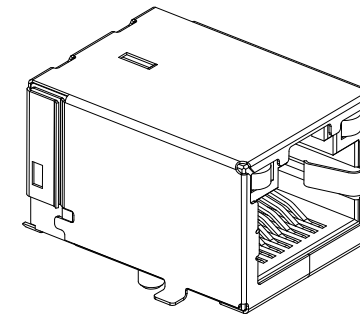


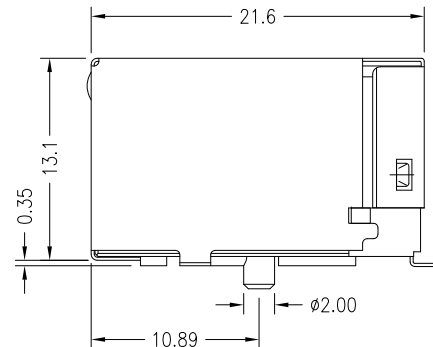
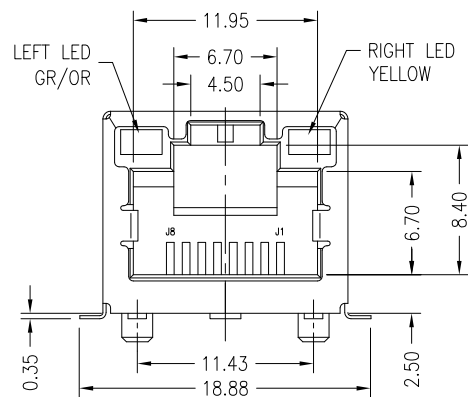
1. MECHANICAL DIMENSIONS :



BACK VIEW



3D VIEW



MATERIALS:

HOUSING: HIGH TEMPERATURE LCP UL94V-0 BLACK

CONTACTS: COPPER 30u" NICKEL UNDERPLATE ON ALL AREA, 100u" TIN ON TERMINATION END, GOLD FLASH G/F ON CONTACT AREA.

SHIELD: T=0.2mm COPPER NICKEL 50u" MIN PLATING.

REV.	ECN. NO.	DRAWN	DATE
A	NEW	JOHN	24/04/2015

DST-conn Tech. Co., Ltd.

HSE

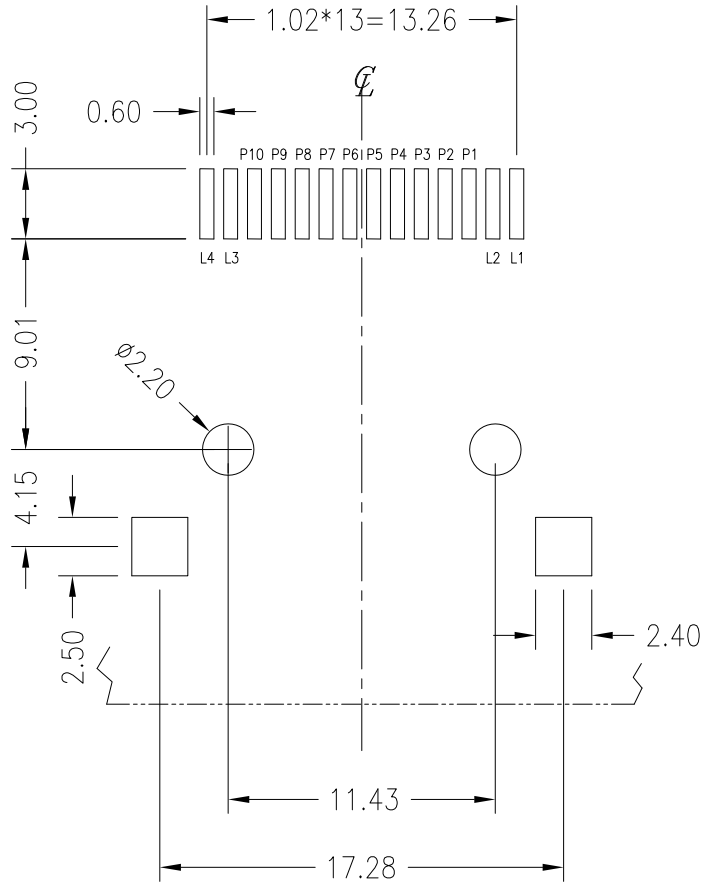
Compliant

⊗:QUALITY CONTROL ITEM		GENERAL TOLERANCE	PART NO.: 11ESAS-xxxx-xxx		
APPROVED		.X± 0.38 X.'± 2'	TITLE:RJ45 1X1 PORT TAB UP LCP 1G FILTER W/ LED,SHELL		
CHECKED		.XX± 0.25 .X'± 1'			
DRAWN		.XXX± 0.13			
UNIT: mm		SCALE: 2:1	SHEET: 1/3	REV.: A	

説明: △ :備註 ◇ :版本變更 ⑨ :尺寸序號 ■ :重點尺寸 ▼ :CPK尺寸

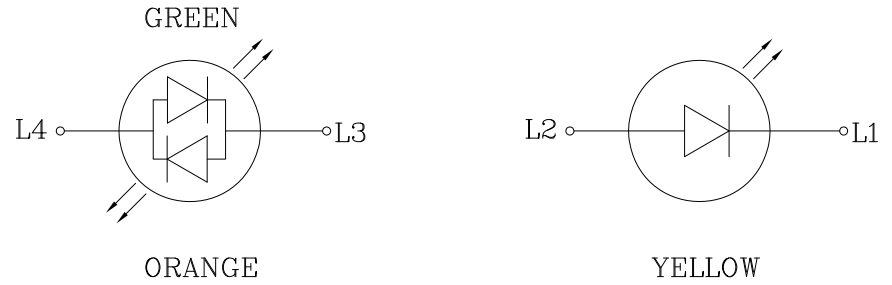
SIZE: A4

2. PCB LAYOUT :



RECOMMENDED PCB LAYOUT

3. LED CONFIGURATION :



REV.	ECN. NO.	DRAWN	DATE
A	NEW	JOHN	24/04/2015

DST-conn Tech. Co., Ltd.

HSE

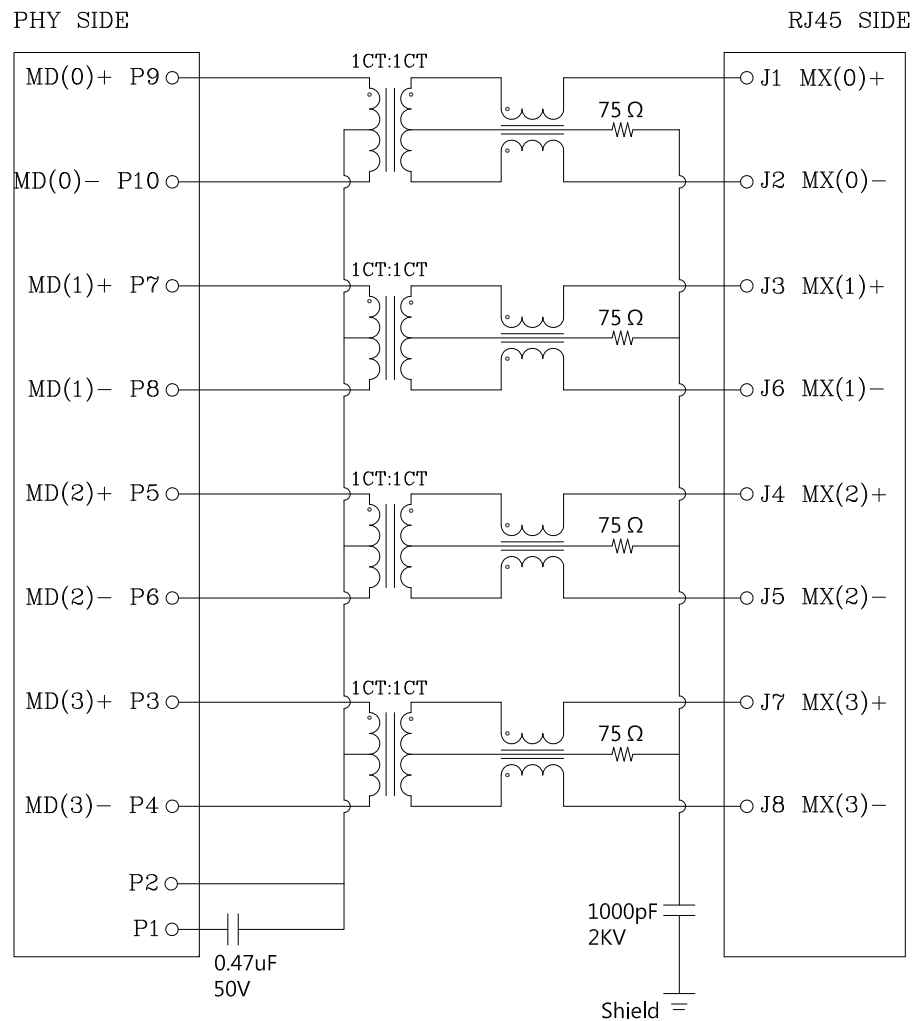
Compliant

⊗:QUALITY CONTROL ITEM		GENERAL TOLERANCE	PART NO.: 11ESAS-xxxx-xxx	
APPROVED		.X± 0.38 X.'± 2'	TITLE:RJ45 1X1 PORT TAB UP LCP 1G FILTER W/ LED,SHELL	
CHECKED		.XX± 0.25 .X'± 1"		
DRAWN		.XXX± 0.13		
UNIT: mm		SCALE: 2:1	SHEET: 2/3	REV.: A

説明: △ :備註 ◇ :版本變更 ⑨ :尺寸序號 ■ :重點尺寸 ▼ :CPK尺寸

SIZE: A4

4. SCHEMATIC



5. ELECTRICAL CHARACTERISTICS :

TEST NOTES:(25°±5°C)

1. TR:(100KHz,1V);
PINS:(P9,P10):(J1,J2)=1:1±3%;(P7,P8):(J3,J6)=1:1±3%
PINS:(P5,P6):(J4,J5)=1:1±3%;(P3,P4):(J7,J8)=1:1±3%
2. LX:(100KHz,100mV,8mA, DC Bias)
PINS:(P9,P10),(P7,P8),(P5,P6),(P3,P4)=350uH MINIMUM
3. DCR:
PINS:(J1,J2),(J3,J6),(J4,J5),(J7,J8)=1.2 OHM MAXIMUM
4. HIPOT:
PINS(P9,P10)TO(J1,J2),(P7,P8)TO(J3,J6)=1500VAC OR 2250VDC FOR 2 SECONDS
PINS(P5,P6)TO(J4,J5),(P3,P4)TO(J7,J8)=1500VAC OR 2250VDC FOR 2 SECONDS
5. INSERTION LOSS:
-1.0dB MAXIMUM AT 1MHz TO 100MHz;
- 6.RETURN LOSS:
-20dB MINIMUM AT 1MHz TO 30MHz;
-15dB MINIMUM AT 30MHz TO 60MHz
-10dB MINIMUM AT 60MHz TO 80MHz
- 7.CROSS TALK:
-30dB MINIMUM AT 1MHz TO 100MHz
- 8.COMMON TO COMMON MODE REJECTION:
-30dB MINIMUM AT 1MHz TO 100MHz

REV.	ECN. NO.	DRAWN	DATE
A	NEW	JOHN	24/04/2015

DST-conn Tech. Co., Ltd.

HSE

Compliant

⊗:QUALITY CONTROL ITEM		GENERAL TOLERANCE		PART NO.: 11ESAS-xxxx-xxx		
APPROVED		.X± 0.38	X.'± 2'	TITLE:RJ45 1X1 PORT TAB UP LCP 1G FILTER W/ LED,SHELL		
CHECKED		.XX± 0.25	.X'± 1'			
DRAWN		.XXX± 0.13				
UNIT: mm		SCALE: 2:1	SHEET: 3/3	REV.: A		

説明: △ :備註 ◇ :版本變更 ⑨ :尺寸序號 ■ :重點尺寸 ▼ :CPK尺寸

SIZE: A4