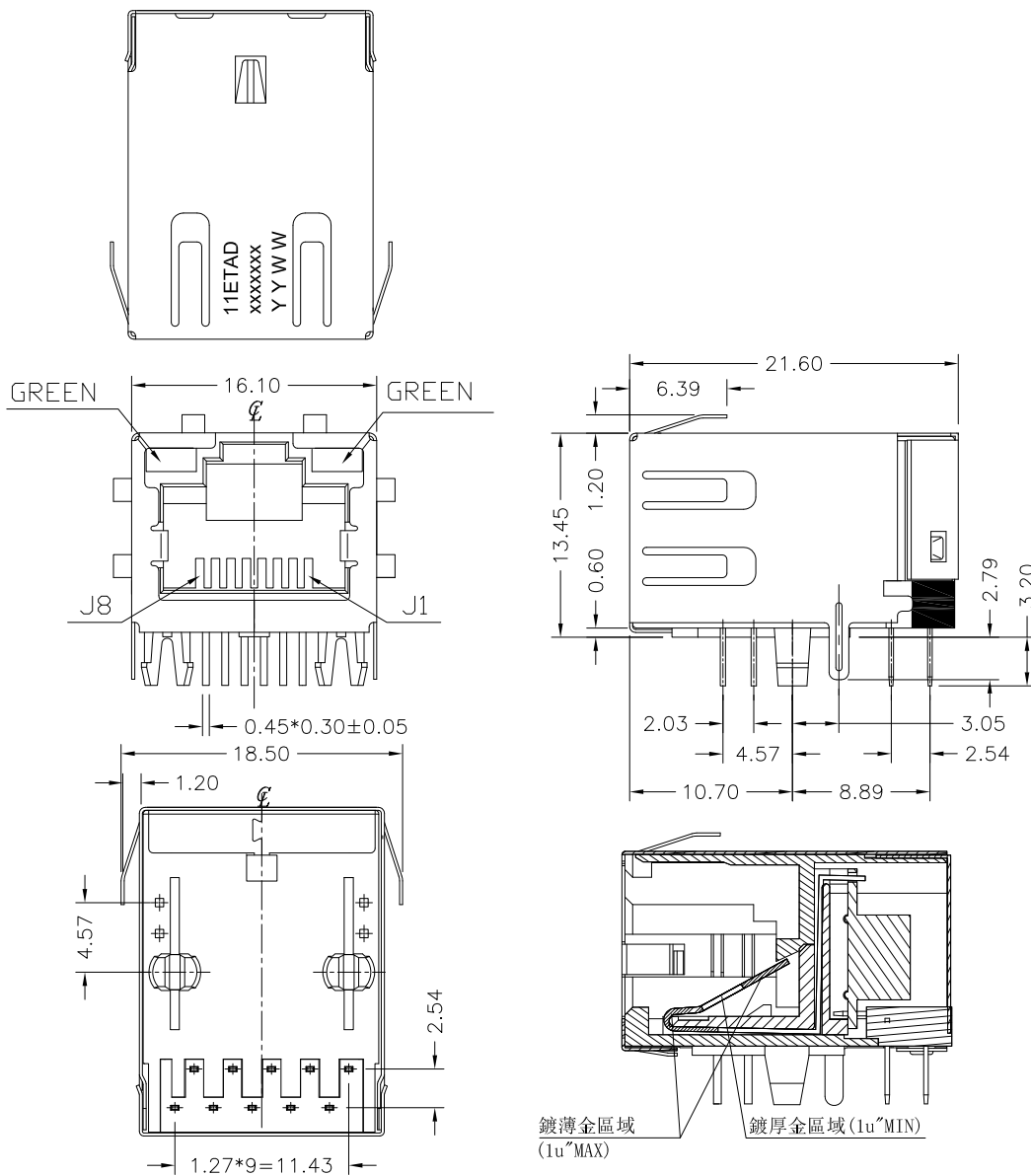


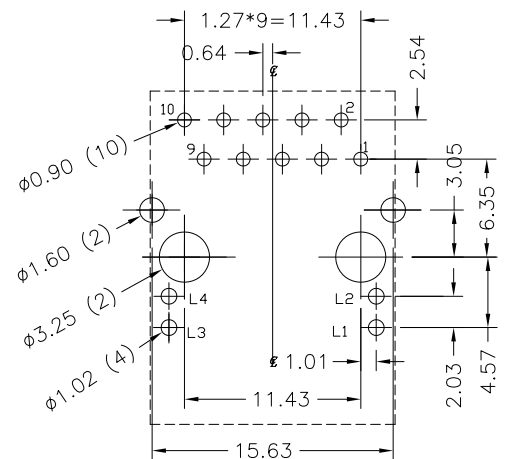
1. MECHANICAL DIMENSIONS :



NOTES:

- MATERIALS:
 HOUSING: PBT UL94V-0 BLACK
 CONTACTS: T=0.35 PHOSPHOR BRONZE, 35u" NICKEL MIN UNDERPLATE ON ALL AREA, 100u" MATTE TIN ON TERMINATION END, GOLD G/F 1u" ON CONTACT AREA.
 SHIELD: BRASS C2680-H T=0.20mm±0.01 FOGGED (50% SHINE SOLVENT) NICKEL 30~50u" PLATING.
- JACK CAVITY CONFORMS TO FCC RULES AND REGULATIONS PART 68, SUBPART F

2. PCB LAYOUT :

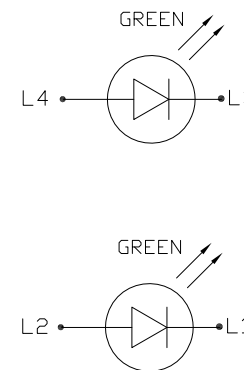


SUGGESTED PCB LAYOUT

(TOP VIEW)

DIMENSIONAL TOLERANCE: .XX ±0.05[0.002]

3. LED CONFIGURATION :



REV.	ECN. NO.	DRAWN	DATE
XA	NEW	JOHN	10/06/2015

DST-conn Tech. Co., Ltd.

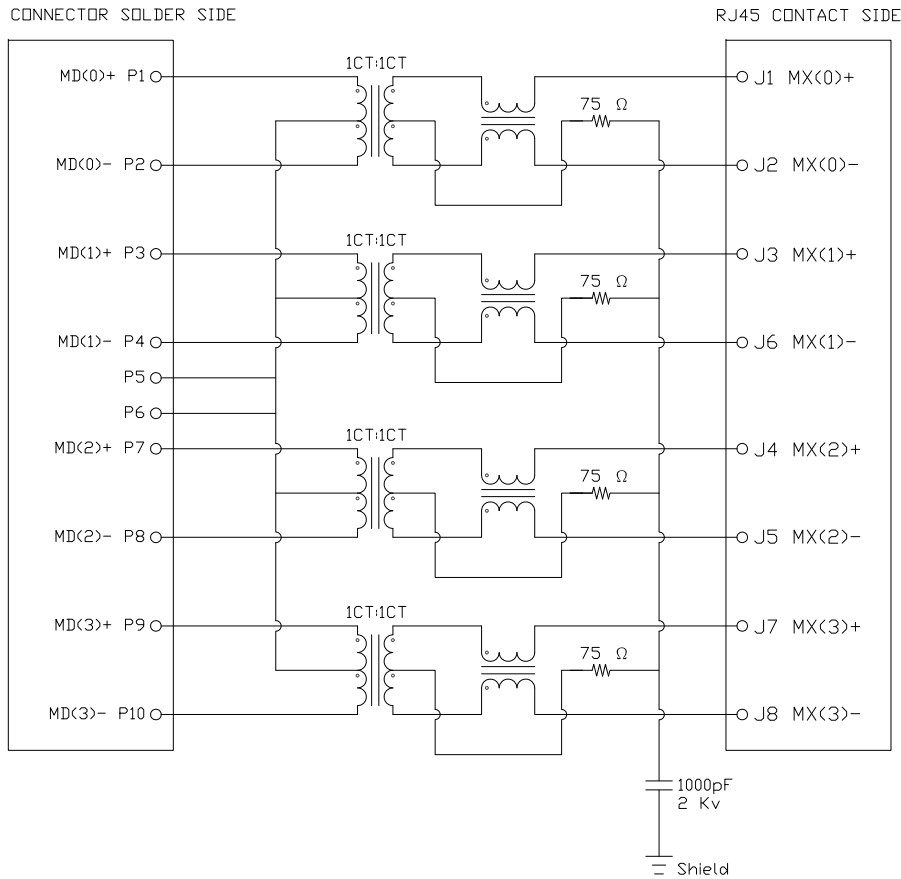


⊗: QUALITY CONTROL ITEM	GENERAL TOLERANCE .X± 0.38 X.'± 2' .XX± 0.25 .X'± 1' .XXX± 0.13	PART NO.: 11ETAD-xxxx-xxx
APPROVED		TITLE:RJ45 1X1 TAB UP 10P8C
CHECKED		100/1000MBPS FILTER
DRAWN	UNIT: mm	SCALE: 2:1
		SHEET: 1/3
		REV.: A

說明: △ :備註 ◇ :版本變更 ① :尺寸序號 ■ :重點尺寸 ▼ :CPK尺寸

SIZE: A4

4. SCHEMATIC:



5. ELECTRICAL CHARACTERISTICS :

TEST NOTES:(25°±5°C)

1. TR:(100KHz,0.1V); 100%

PINS:(P1,P2):(J1,J2)=1:1±3%;(P3,P4):(J3,J6)=1:1±3%

PINS:(P7,P8):(J4,J5)=1:1±3%;(P9,P10):(J7,J8)=1:1±3%

2. LX:(100KHz,100mV,8mA, DC Bias) 100%

PINS:(P1,P2),(P3,P4),(P7,P8),(P9,P10)=350uH MINIMUM

3. DCR: 100%

PINS:(J1,J2),(J3,J6),(J4,J5),(J7,J8)=1.2 ohm MAXIMUM

4. HIPOT: 100%

PINS(P1,P2)TO(J1,J2),(P3,P4)TO(J3,J6)=1500VAC FOR 60 SECONDS

PINS(P7,P8)TO(J4,J5),(P9,P10)TO(J7,J8)=1500VAC FOR 60 SECONDS

5. INSERTION LOSS:

-1.0dB MAXIMUM AT 1MHz TO 100MHz;

6.RETURN LOSS:

-20dB MINIMUM AT 1MHz TO 30MHz;

-15dB MINIMUM AT 30MHz TO 60MHz

-10dB MINIMUM AT 60MHz TO 80MHz

7.CROSS TALK:

-30dB MINIMUM AT 1MHz TO 100MHz

8.COMMON TO COMMON MODE REJECTION:

-30dB MINIMUM AT 1MHz TO 100MHz

REV.	ECN. NO.	DRAWN	DATE
XA	NEW	JOHN	10/06/2015

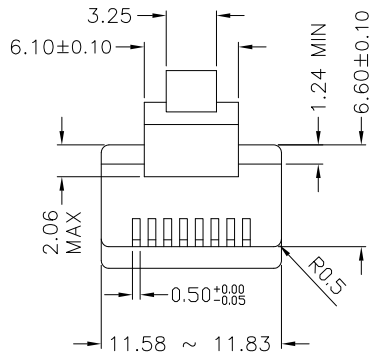
DST-conn Tech. Co., Ltd.



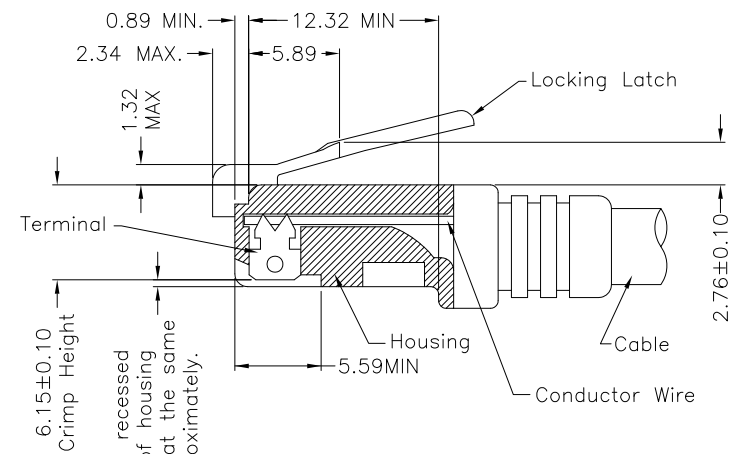
⊗: QUALITY CONTROL ITEM		GENERAL TOLERANCE .X± 0.38 X.'± 2' .XX± 0.25 .X'± 1' .XXX± 0.13		PART NO.: 11ETAD-xxxx-xxx		
APPROVED				TITLE:RJ45 1X1 TAB UP 10P8C		
CHECKED				100/1000MBPS FILTER		
DRAWN		UNIT: mm		SCALE: 2:1	SHEET: 2/3	REV.: A

説明: △ :備註 ◇ :版本變更 ⑨ :尺寸序號 ■ :重點尺寸 ▼ :CPK尺寸

SIZE: A4



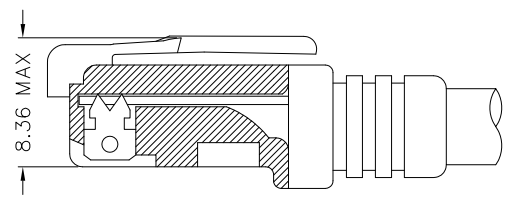
* There must be no damage to housing or locking latch. There must be no nicks or cuts in cable.
 * Durability : 750 cycles generally



All contacts recessed below top of housing and must be at the same height approximately.

FOLLOW SPECIFICATION : FCC, PART 68, SUBPART F FIGURE 68.500 (C)(2)(i) AND IEC 603-7 FIGURE 23 & 24

STANDARD MODULAR PLUG ASSEMBLY



FOLLOW SPECIFICATION : FCC, PART 68, SUBPART F FIGURE 68.500 (C)(2)(ii)

REV.	ECN. NO.	DRAWN	DATE
XA	NEW	JOHN	10/06/2015

DST-conn Tech. Co., Ltd.



⊗: QUALITY CONTROL ITEM	GENERAL TOLERANCE .X± 0.38 X.'± 2' .XX± 0.25 .X'± 1' .XXX± 0.13	PART NO.: 11ETAD-xxxx-xxx
APPROVED		TITLE:RJ45 1X1 TAB UP 10P8C 100/1000MBPS FILTER
CHECKED		
DRAWN	UNIT: mm	SCALE: 2:1 SHEET: 3/3 REV.: A

説明: △ :備註 ◇ :版本變更 ① :尺寸序號 ■ :重點尺寸 ▼ :CPK尺寸