

1 2 3 4 5 6 7 8

F

E

D

C

B

A

F

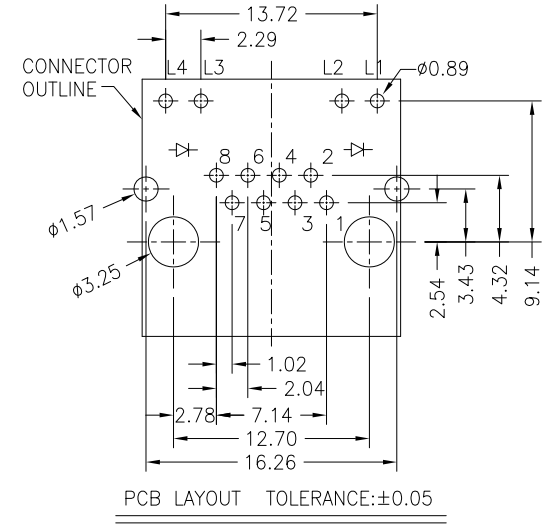
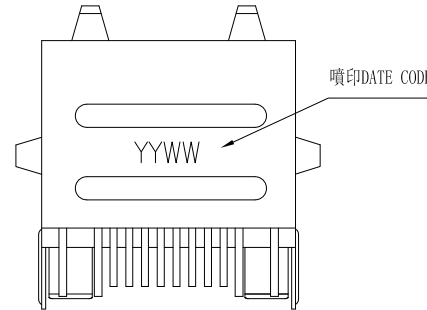
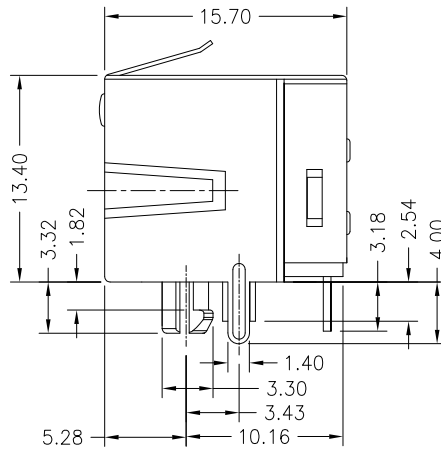
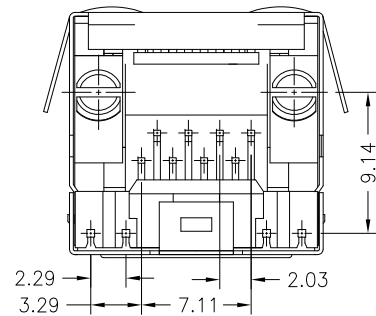
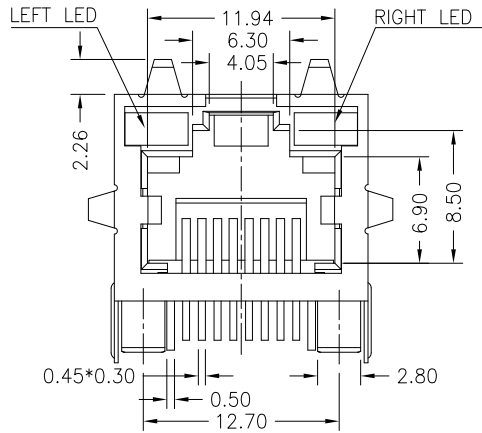
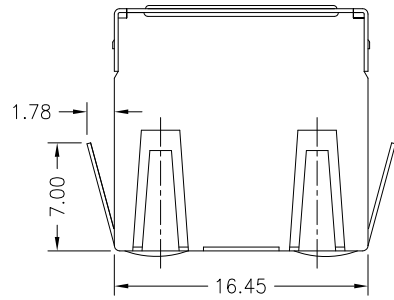
E

D

C

B

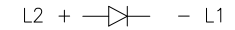
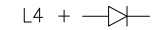
SIZE: A4



LED SCHEMATIC:

LEFT LED:

RIGHT LED:



NOTES:

1. MATERIAL:
 HOUSING: HIGH TEMP. THERMOPLASTIC ,UL94V-0, BLACK.
 CONTACT: PHOSPHOR BRONZE,T=0.35mm, 50u" NICKEL
 UNDERPLATE ON ALL AREA, 100u" TIN ON
 TERMINATION END , GOLD ON CONTACT AREA.
 SHELL: T=0.25mm COPPER ZINC ALLOY PLATED WITH NICKEL
2. OPERATING TEMPERATURE: -40°C ~ +85°C
3. JACK CAVITY CONFORMS TO FCC RULES AND REGULATIONS PART 68, SUBPART F

REV.	ECN. NO.	DRAWN	DATE
A	NEW	JOHN	26/03/2015

DST-conn Tech. Co., Ltd. **HSF** Compliant

⊗:QUALITY CONTROL ITEM		GENERAL TOLERANCE		PART NO.: 11JET1D-xxxxx			
APPROVED		.X± 0.38	X.*± 2'	TITLE:RJ45 1X1 PORT TAB UP W/ LED , SHELL , T/S 8P8C			
CHECKED		.XX± 0.25	.X*± 1'				
DRAWN		.XXX± 0.13		UNIT: mm	SCALE: 1:1	SHEET: 1/1	REV.: A

1

2

3

説明: △ :備註 ◇ :版本變更 ① :尺寸序號 ■ :重點尺寸 ▼ :CPK尺寸