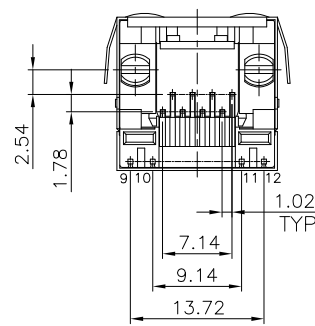
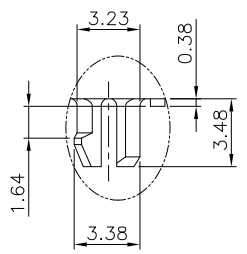


RECOMMENDED PCB LAYOUT
TOLERANCE: ±0.05 (TOP VIEW)



- MATERIALS:
- HOUSING— POLYESTER UL94V-0 MIXED FIBER GLASS STANDARD COLOR—BLACK
 - CONTACTS—0.35mm THICK PHOS-BRONZE PLATED WITH HARD GOLD AND GOLD FLASH IN SOLDER AREA.
 - SHIELD—0.25mm THICK COPPER ALLOY, PLATED WITH NICKEL.

CAVITY CONFIRMS TO FCC RULES AND REGULATIONS PART 68,SUBPART F.

REV.	ECN. NO.	DRAWN	DATE
A	NEW	JOHN	26/03/15



⊗:QUALITY CONTROL ITEM		GENERAL TOLERANCE		PART NO.: 11JS14D-xxxxx		
APPROVED		.X± 0.38	X.'± 2'	TITLE:RJ45 1X1 PORT TAB UP		
CHECKED		.XX± 0.25	.X'± 1'	W/ SHELL, LED, T/S		
DRAWN		.XXX± 0.13		UNIT: mm	SCALE: 1:1	SHEET: 1/1
						REV.: A

説明: △ :備註 ◇ :版本變更 ① :尺寸序號 ■ :重點尺寸 ▼ :CPK尺寸

SIZE: A4