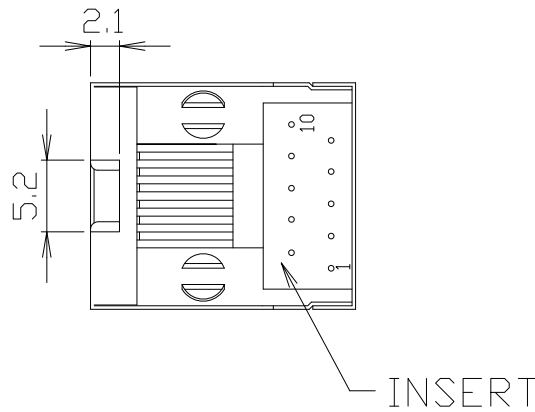
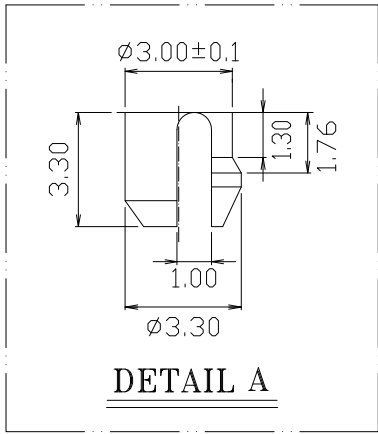


PC Board Layout  
Ref.



MATERIALS:

- HOUSING-PBT POLYESTER UL94V-0  
MIXED GLASS FIBER.  
STANDARD COLOR-BLACK
  - CONTACTS-0.45mm DIA. ROUND CONTACTS  
PHOS-BRONZE PLATED WITH G/F GOLD.
  - SHIELD-0.20mm THICK COPPER ALLOY,  
PLATED WITH NICKEL.
- CAVITY CONFIRMS TO FCC RULES AND REGULATIONS  
PART 68,SUBPART F.

REV.	ECN. NO.	DRAWN	DATE
A	NEW	JOHN	10/03/15

**DST**-conn Tech. Co., Ltd.

**HSF**

Compliant

⊗:QUALITY CONTROL ITEM		GENERAL TOLERANCE		PART NO.: 11JS43D-xxxxx			
APPROVED		.X± 0.38	X.'± 2'	TITLE:RJ48 1X1 TAB DOWN 10P10C W/O LED W/ SHELL DIP TYPE			
CHECKED		.XX± 0.25	.X'± 1'				
DRAWN		.XXX± 0.13		UNIT: mm	SCALE: 1:1	SHEET: 1/1	REV.: A

説明: △ :備註 ◇ :版本變更 ④ :尺寸序號 ■ :重點尺寸 ▼ :CPK尺寸

SIZE: A4