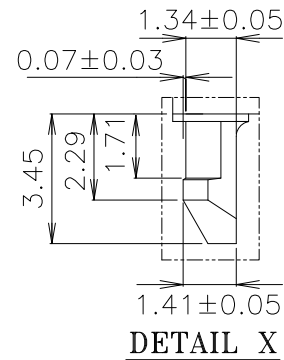
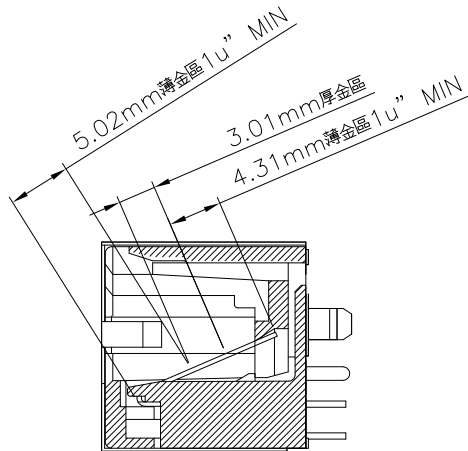
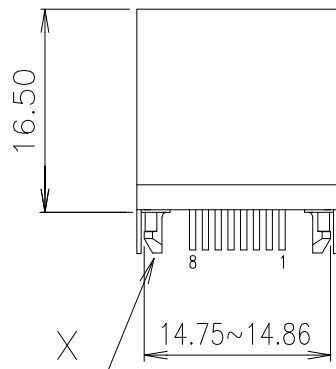


PC Board Layout
Ref.



DETAIL X

MATERIAL:

- HOUSING-PA46 POLYESTER UL-94V-0 MIXED GLASS FIBER. STANDARD COLOR-BLACK
 - CONTACTS-0.35mm THICK PHOS-BRONZE C5191 PLATED WITH HARD GOLD ON CONTACT AREA AND G/F IN SOLDER AREA.
 - SHIELD-0.25mm THICK COPPER ALLOY C2680, PLATED WITH 30u" SOLDER-ABLE NICKEL.
- CAVITY CONFIRMS TO FCC RULES AND REGULATIONS PART 68,SUBPART F.

REV.	ECN. NO.	DRAWN	DATE
A	NEW	JOHN	28/03/15

DST-conn Tech. Co., Ltd.



⊗:QUALITY CONTROL ITEM		GENERAL TOLERANCE		PART NO.: 11JS46V-xxxxx		
APPROVED		.X± 0.38	X.± 2'	TITLE:RJ45 1X1 PORT 180D		
CHECKED		.XX± 0.25	.X'± 1'	W/ SHELL W/O LED 8P8C		
DRAWN		.XXX± 0.13		UNIT: mm	SCALE: 1:1	SHEET: 1/1
						REV.: A

説明: △ :備註 ◇ :版本變更 ④ :尺寸序號 ■ :重點尺寸 ▼ :CPK尺寸

SIZE: A4