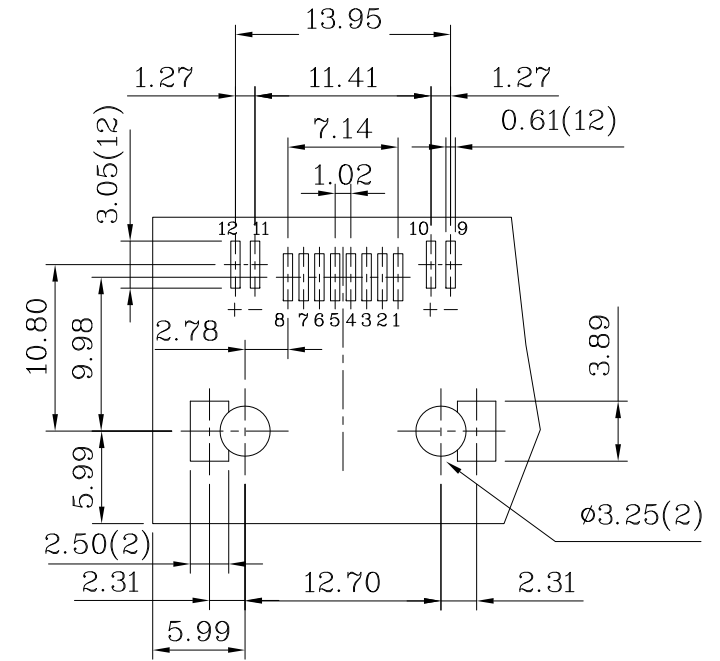
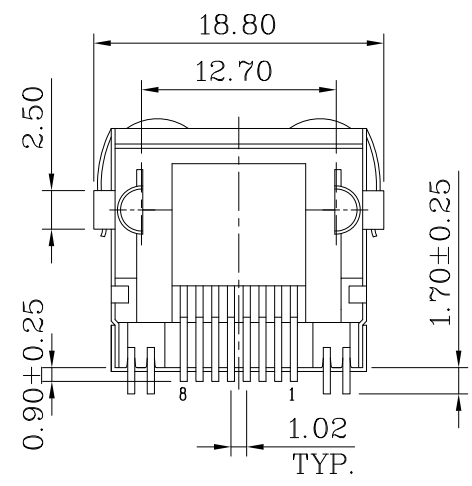
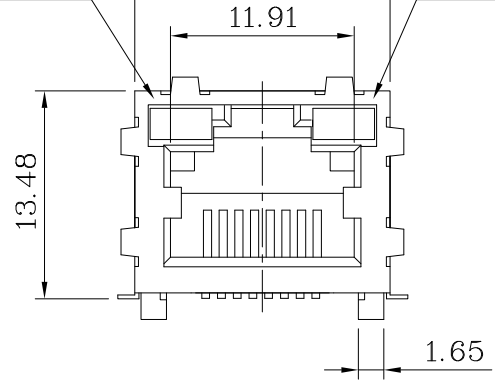
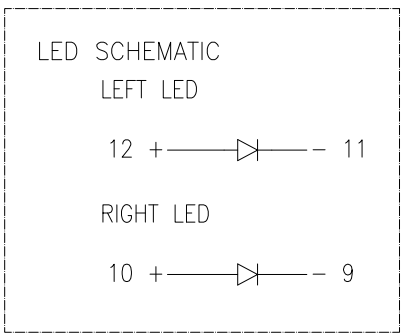
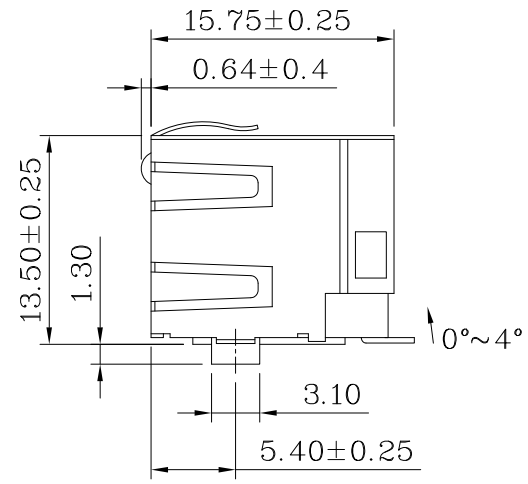


LEFT LED 16.55±0.25 RIGHT LED



PCB LAYOUT REF.



MATERIAL:

- HOUSING-PA9T GN2330
 - HEAT RESISTANT PLOYAMIDE RESIN
 - BLACK COLOR, UL94V-0
 - INSERT HOUSING-DSM STANYL TE250F6 (NYLON-46)
 - HEAT DEFLECTION TEMP.290°
 - BLACK COLOR, UL94V-0.
 - CONTACTS-0.35mm THICK PHOS-BRONZE PLATED
 - WITH GOLD ON CONTACT AREA AND
 - GOLD FLASH IN SOLDER AREA.
 - SHIELD-0.25mm THICK COPPER ALLOY,
 - PLATED WITH NICKEL.
- CAVITY CONFIRMS TO FCC RULES AND REGULATIONS
PART 68,SUBPART F.

REV.	ECN. NO.	DRAWN	DATE
A	NEW	JOHN	26/03/2015

DST-conn Tech. Co., Ltd. **HSF** Compliant

⊗:QUALITY CONTROL ITEM	GENERAL TOLERANCE .X± 0.38 X.'± 2' .XX± 0.25 .X'± 1' .XXX± 0.13	PART NO.: 11JS56S-xxxxx
APPROVED		TITLE:RJ45 1X1 TAB UP SMT TYPE
CHECKED		W/ LED , SHELL , T/S 8P8C
DRAWN	UNIT: mm	SCALE: 1:1 SHEET: 1/1 REV.: A

說明: △ :備註 ◇ :版本變更 ① :尺寸序號 ■ :重點尺寸 ▼ :CPK尺寸

SIZE: A4