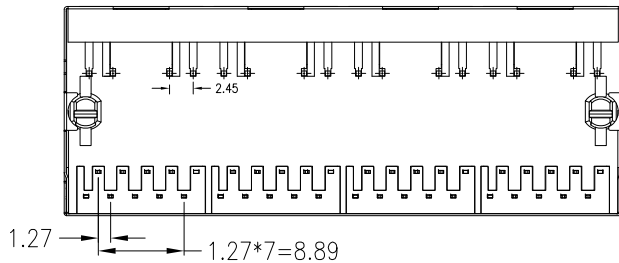
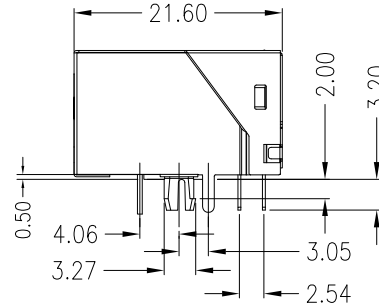
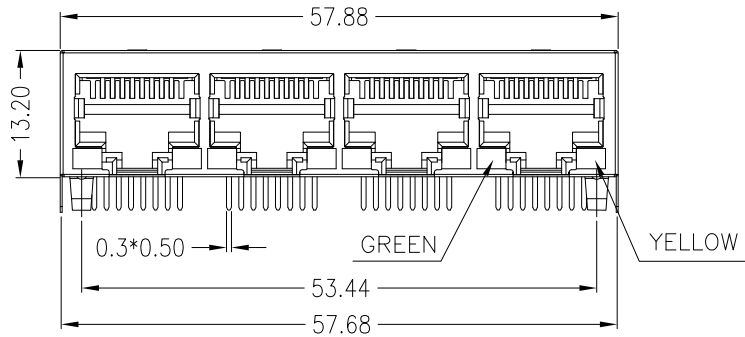
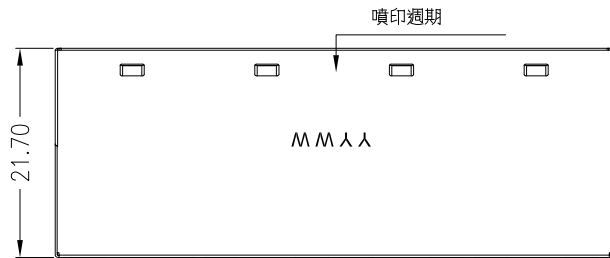


# 1. MECHANICAL DIMENSIONS :



## NOTES:

### 1. MATERIALS:

HOUSING -PBT POLYESTER UL94V-0  
MIXED GLASS FIBER.  
STANDARD COLOR-BLACK.

CONTACTS -0.35mm THICK PHOS-BRONZE PLATED  
WITH GOLD G/F ON CONTACT AREA AND  
MATTE TIN IN SOLDER AREA.

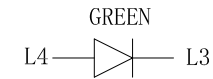
SHIELD-0.2mm THICK COPPER ALLOY,  
PLATED WITH NICKEL.

2. OPERATING TEMPERATURE : -40°C~85°C

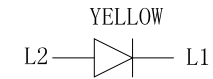
3. CAVITY CONFORMS TO FCC RULES AND REGULATIONS  
PART 68,SUBPART F.

## 2. LED SCHEMATIC :

LEFT LED:



RIGHT LED:



REV.	ECN. NO.	DRAWN	DATE
A	NEW	JOHN	10/12/2014

**DST**-conn Tech. Co., Ltd.

**HISF**

Compliant

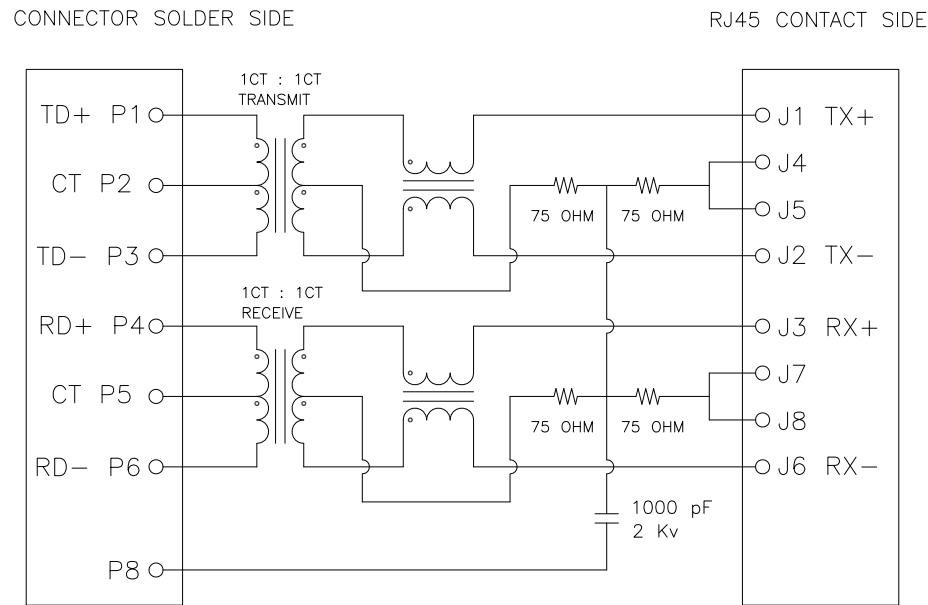
⊗:QUALITY CONTROL ITEM	GENERAL TOLERANCE	PART NO.:
APPROVED	.X± 0.38 X.'± 2'	14ED4D-xxxx-xxx
CHECKED	.XX± 0.25 .X'± 1'	TITLE:RJ45 1X4 TAB DOWN 8P8C
DRAWN	.XXX± 0.13	SHIELDED 10/100MBPS FILTER
UNIT: mm	SCALE: 1:1	SHEET: 1/4
		REV.: A

說明: △ :備註 ◇ :版本變更 ① :尺寸序號 ■ :重點尺寸 ▼ :CPK尺寸

SIZE: A4



#### 4. SCHEMATIC:



#### 5. ELECTRICAL CHARACTERISTICS :

##### ELECTRICAL CHARACTERISTICS :

TEST NOTES:(25°±5°C)

1. TR:(100KHz,0.1V); 100%  
PINS:(P1,P3):(J1,J2)=1:1±3%;(P4,P6):(J3,J6)=1:1±3%
2. LX:(100KHz,100mV,8mA, DC Bias) 100%  
PINS:(P1,P3),(P4,P6)=350uH MINIMUM
3. DCR: 100%  
PINS:(J1,J2),(J3,J6)=1.2 Ω MAXIMUM
4. HIPOT: 100%  
PINS(P1,P3)TO(J1,J2),(P4,P6)TO(J3,J6)=1500VAC FOR 60 SECONDS
5. INSERTION LOSS:  
-1.0dB MAXIMUM AT 1MHz TO 100MHz;
- 6.RETURN LOSS:  
-20dB MINIMUM AT 1MHz TO 30MHz;  
-15dB MINIMUM AT 30MHz TO 60MHz  
-10dB MINIMUM AT 60MHz TO 80MHz
- 7.CROSS TALK:  
-30dB MINIMUM AT 1MHz TO 100MHz
- 8.COMMON TO COMMON MODE REJECTION:  
-30dB MINIMUM AT 1MHz TO 100MHz

REV.	ECN. NO.	DRAWN	DATE
A	NEW	JOHN	10/12/2014

**DST**-conn Tech. Co., Ltd.

**HISF**

Compliant

⊗:QUALITY CONTROL ITEM		GENERAL TOLERANCE	PART NO.:
APPROVED		.X± 0.38 X.'± 2'	14ED4D-xxxx-xxx
CHECKED		.XX± 0.25 .X'± 1'	TITLE:RJ45 1X4 TAB DOWN 8P8C
DRAWN		.XXX± 0.13	SHIELDED 10/100MBPS FILTER
UNIT: mm		SCALE: 1:1	SHEET: 3/4
			REV.: A

説明: △ :備註 ◇ :版本變更 ⑨ :尺寸序號 ■ :重點尺寸 ▼ :CPK尺寸

SIZE: A4

1 2 3 4 5 6 7 8

F

E

D

C

B

A

F

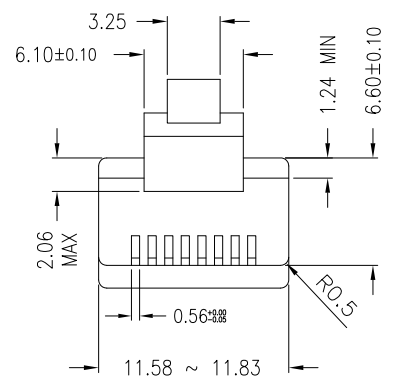
E

D

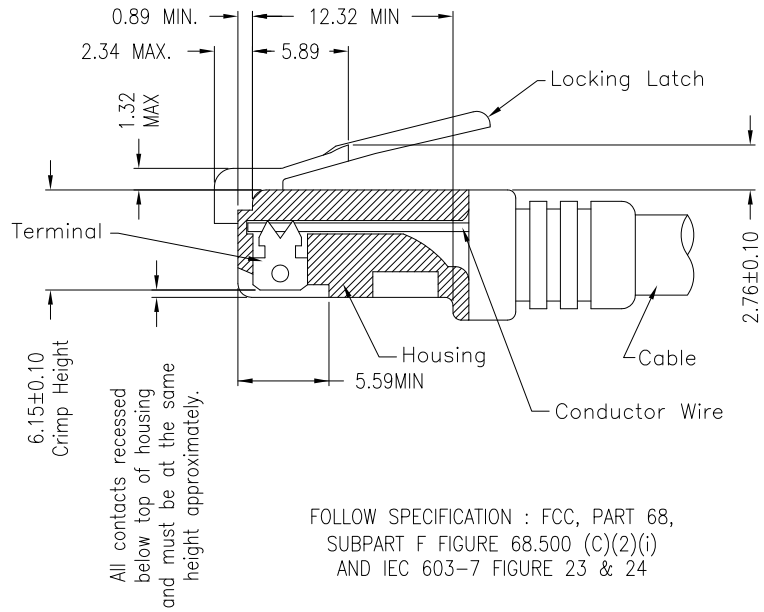
C

B

A

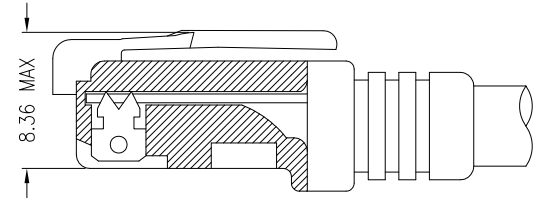


\* There must be no damage to housing or locking latch. There must be no nicks or cuts in cable.  
 \* Durability : 750 cycles generally



FOLLOW SPECIFICATION : FCC, PART 68,  
 SUBPART F FIGURE 68.500 (C)(2)(i)  
 AND IEC 603-7 FIGURE 23 & 24

STANDARD MODULAR PLUG ASSEMBLY



FOLLOW SPECIFICATION : FCC, PART 68, SUBPART F  
 FIGURE 68.500 (C)(2)(ii)

REV.	ECN. NO.	DRAWN	DATE
A	NEW	JOHN	10/12/2014

**DST**-conn Tech. Co., Ltd.



⊗:QUALITY CONTROL ITEM		GENERAL TOLERANCE .X± 0.38 X.'± 2' .XX± 0.25 .X'± 1' .XXX± 0.13		PART NO.: 14ED4D-xxxx-xxx		
APPROVED		UNIT: mm		TITLE:RJ45 1X4 TAB DOWN 8P8C SHIELDED 10/100MBPS FILTER		
CHECKED		SCALE: 1:1		SHEET: 4/4	REV.: A	
DRAWN						

説明: △ :備註 ◇ :版本變更 ④ :尺寸序號 ■ :重點尺寸 ▼ :CPK尺寸

1 2 3

SIZE: A4