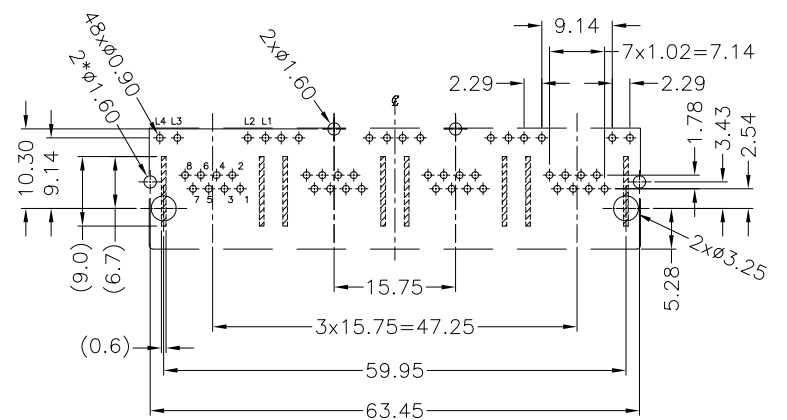
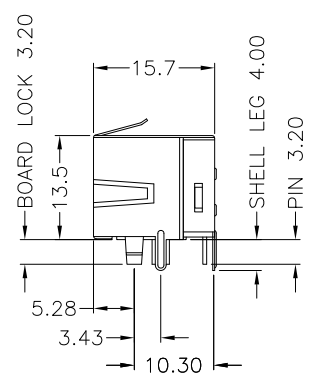
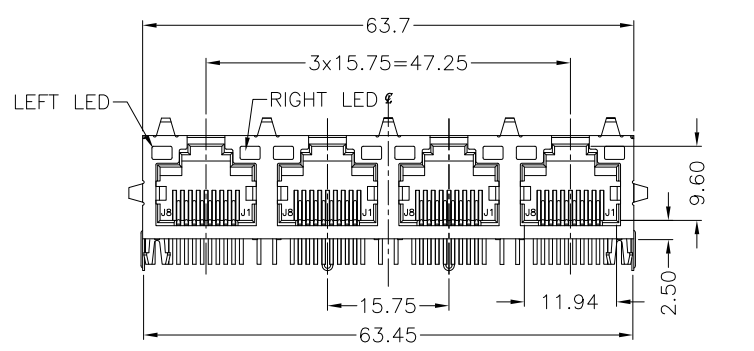
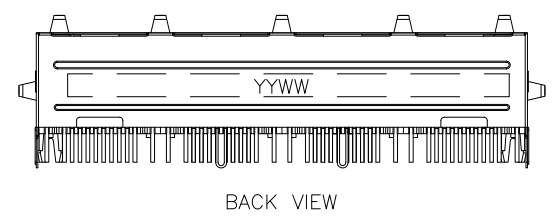
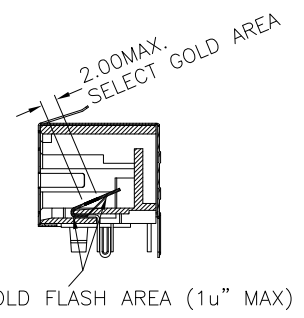
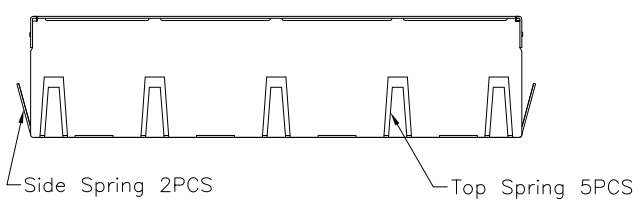
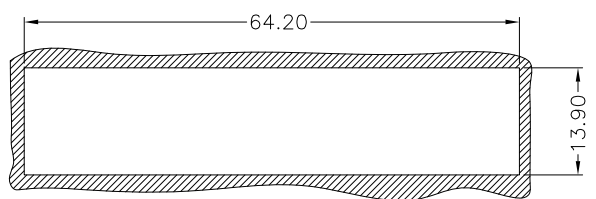
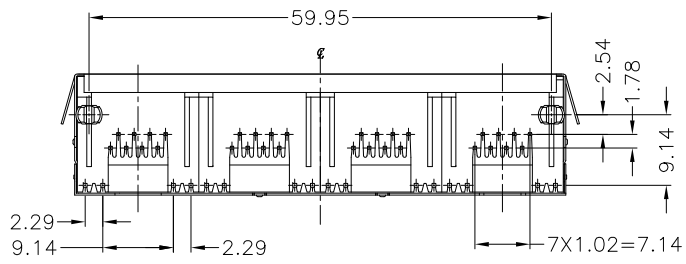


1 2 3 4 5 6 7 8

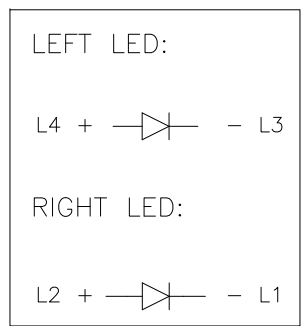
F  
E  
D  
C  
B  
A



RECOMMENDED PCB LAYOUT  
COMPONENT SIDE  
TOLERANCE ±0.05

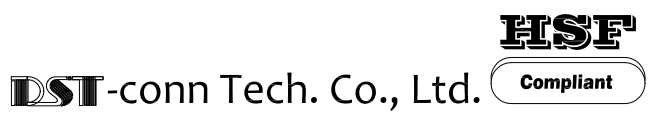


RECOMMENDED  
PANEL CUTOUT DIMENSION



NOTES:  
1.MATERIAL:  
HOUSING:HIGH TEMP THERMO PLASTIC (UL94V-0),BLACK  
CONTACT:PHOSPHOR BORNZE  
SHELL:SUS201-1/2H  
2.FINISHED:  
CONTACT:50u"MIN NICKEL UNDERPLATING ALL AREA,  
100u"MIN TIN ON SOLDER TAILS,AND  
SELECT GOLD PLATING ON CONTACT AREA.  
SHELL:30u"MIN. NICKEL PRE-PLATING ALL AREA  
3.JACK CAVITY CONFORMS TO FCC RULES AND  
REGULATIONS PART 68.500 (D) (2)

REV.	ECN. NO.	DRAWN	DATE
A	NEW	JOHN	26/03/2015



⊗:QUALITY CONTROL ITEM	GENERAL TOLERANCE .X± 0.38 X.*± 2' .XX± 0.25 .X.*± 1' .XXX± 0.13	PART NO.: 14JE4AD-xxxxx		
APPROVED		TITLE:RJ45 1X4 PORT TAB UP W/ LED , SHELL , T/S		
CHECKED		UNIT: mm	SCALE: 1:1	SHEET: 1/1
DRAWN				REV.: A

1 2 3 黃塘: △ : ◇ : 廓 ? 徭 ⊙ : 魚傾 ? ■ 凋魚傾 : ♣ K魚傾

F  
E  
D  
C  
B  
A  
SIZE: A4