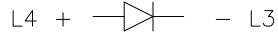
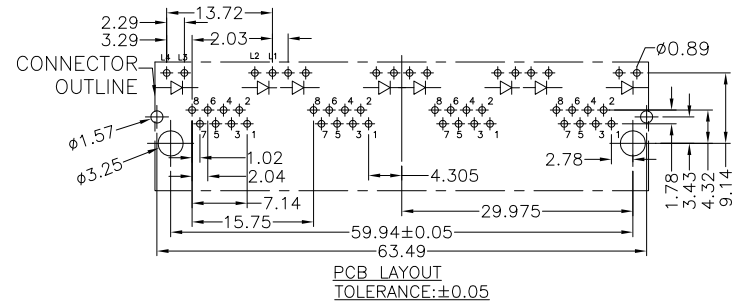


RECOMMENDED
PANEL CUTOUT DIMENSION

LEFT LED:



RIGHT LED:



NOTES:

1.MATERIAL:

HOUSING:HIGH TEMP THERMO PLASTIC (UL94V-0),BLACK
CONTACT:PHOSPHOR BORNZE
SHELL: COPPER

2.FINISHED:

CONTACT:50u"MIN NICKEL UNDERPLATING ALL AREA,
100u"MIN TIN ON SOLDER TAILS,AND
SELECT GOLD PLATING ON CONTACT AREA.

SHELL:30u"MIN. NICKEL PRE-PLATING ALL AREA
3.JACK CAVITY CONFORMS TO FCC RULES AND
REGULATIONS PART 68.500 (D) (2)

REV.	ECN. NO.	DRAWN	DATE
A	NEW	JOHN	26/03/2015

DST-conn Tech. Co., Ltd.



⊗:QUALITY CONTROL ITEM		GENERAL TOLERANCE		PART NO.: 14JET4D-xxxxx			
APPROVED		.X± 0.38	X.'± 2'	TITLE:RJ45 1X4 PORT TAB UP W/ LED , SHELL , T/S			
CHECKED		.XX± 0.25	.X°± 1'				
DRAWN		.XXX± 0.13		UNIT: mm	SCALE: 1:1	SHEET: 1/1	REV.: A

説明: △ :備註 ◇ :版本變更 ④ :尺寸序號 ■ :重點尺寸 ▼ :CPK尺寸

SIZE: A4