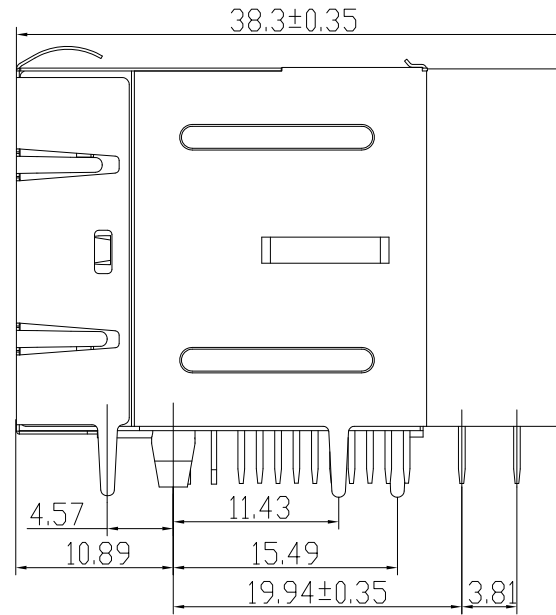
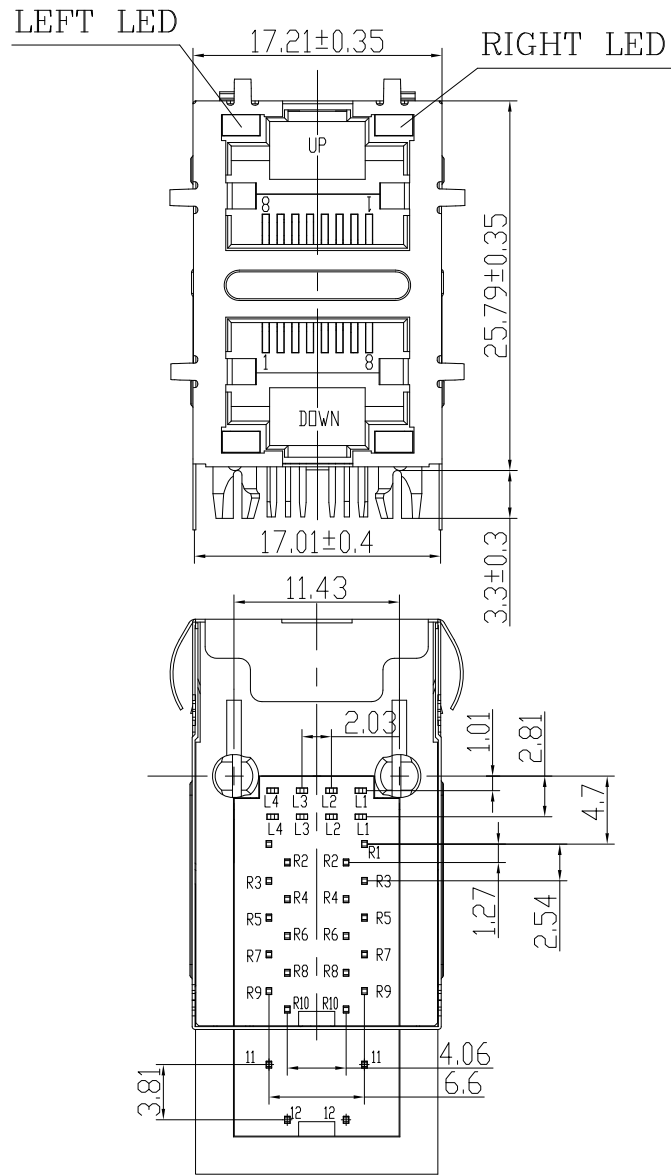


1. MECHANICAL DIMENSIONS :



MATERIAL:

- 1.HOUSING: PA66+GLASS FILLED (UL 94V-0),BLACK
- 2.CONTACTS: 0.46mm THICKNESS PHOSPHOR BRONZE
ALLOY SELECTIVE GOLD PLATING OVER NICKEL
- 3.SHIELDING: 0.2mm THICKNESS COPPER ALLOY WITH TIN PLATED
- 4.GOLD PLATING: GOLD PLATING 6u" ON CONTACT AERA
- 5.JACK CAVITY CONFORMS TO FCC RULES AND REGULATIONS,PART 68 SUBPART F
- 6.POE RATING:30W,750mA,48V,FOR IEEE802.3AF/AT REEQUIREMENT

REV.	ECN. NO.	DRAWN	DATE
A	NEW	JOHN	25/02/2015

DST-conn Tech. Co., Ltd.

HSF

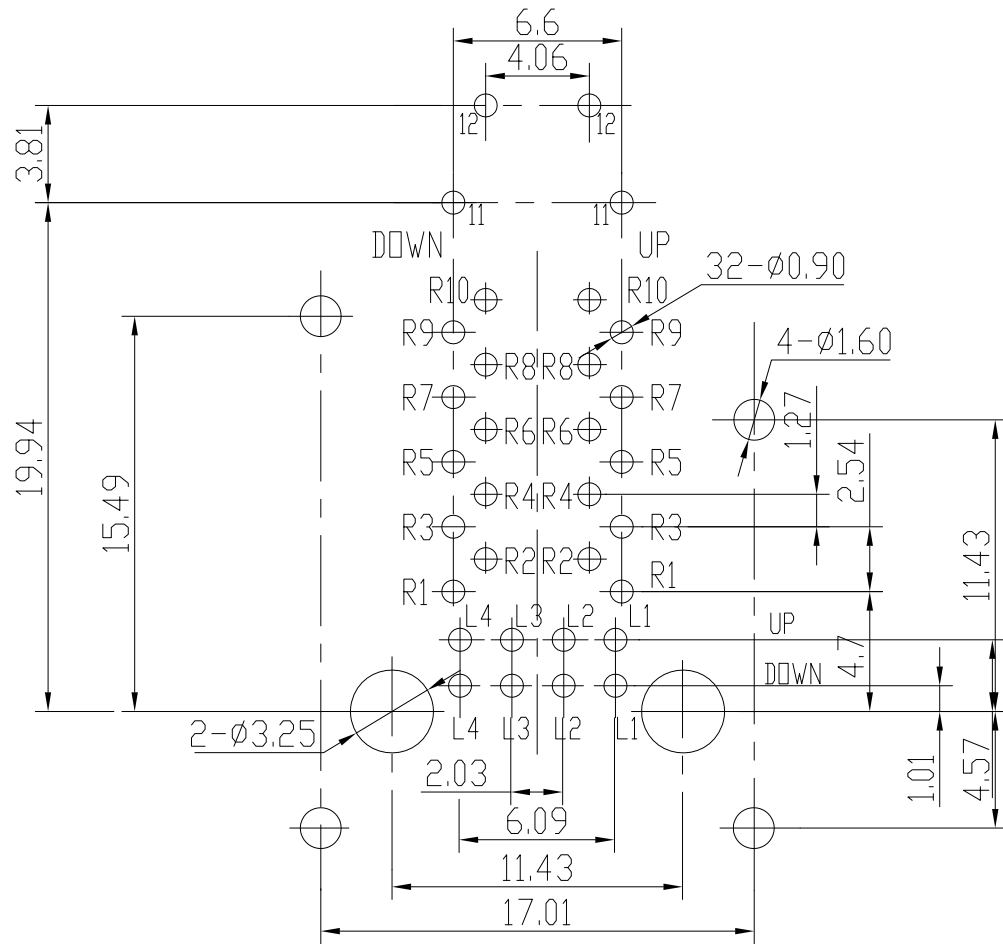
Compliant

⊗:QUALITY CONTROL ITEM	GENERAL TOLERANCE	PART NO.:
APPROVED	.X± 0.38 X:± 2'	21BP1D-xxxx-xxx
CHECKED	.XX± 0.25 .X:± 1'	TITLE:RJ45 2X1 W/ LED,SHELL,T/S
DRAWN	.XXX± 0.13	100/1000 FILTER 10P8C POE
UNIT: mm	SCALE: 1:1	SHEET: 1/4
		REV.: A

説明: △ :備註 ◇ :版本變更 ④ :尺寸序號 ■ :重點尺寸 ▼ :CPK尺寸

SIZE: A4

2. PCB LAYOUT :

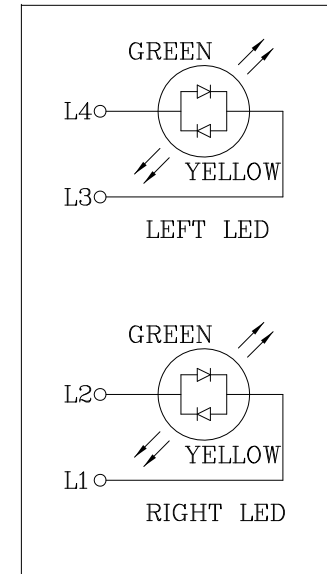


SUGGESTED PCB LAYOUT

(TOP VIEW)

DIMENSIONAL TOLERANCE: .XX ±0.05[0.002]

3. LED SCHEMATIC :



REV.	ECN. NO.	DRAWN	DATE
A	NEW	JOHN	25/02/2015

DST-conn Tech. Co., Ltd.

HSF

Compliant

⊗:QUALITY CONTROL ITEM		GENERAL TOLERANCE	PART NO.: 21BP1D-xxxx-xxx
APPROVED		.X± 0.38 X.'± 2'	TITLE:RJ45 2X1 W/ LED,SHELL,T/S 100/1000 FILTER 10P8C POE
CHECKED		.XX± 0.25 .X'± 1'	
DRAWN		.XXX± 0.13	SCALE: 1:1 SHEET: 2/4 REV.: A

UNIT: mm

SCALE: 1:1

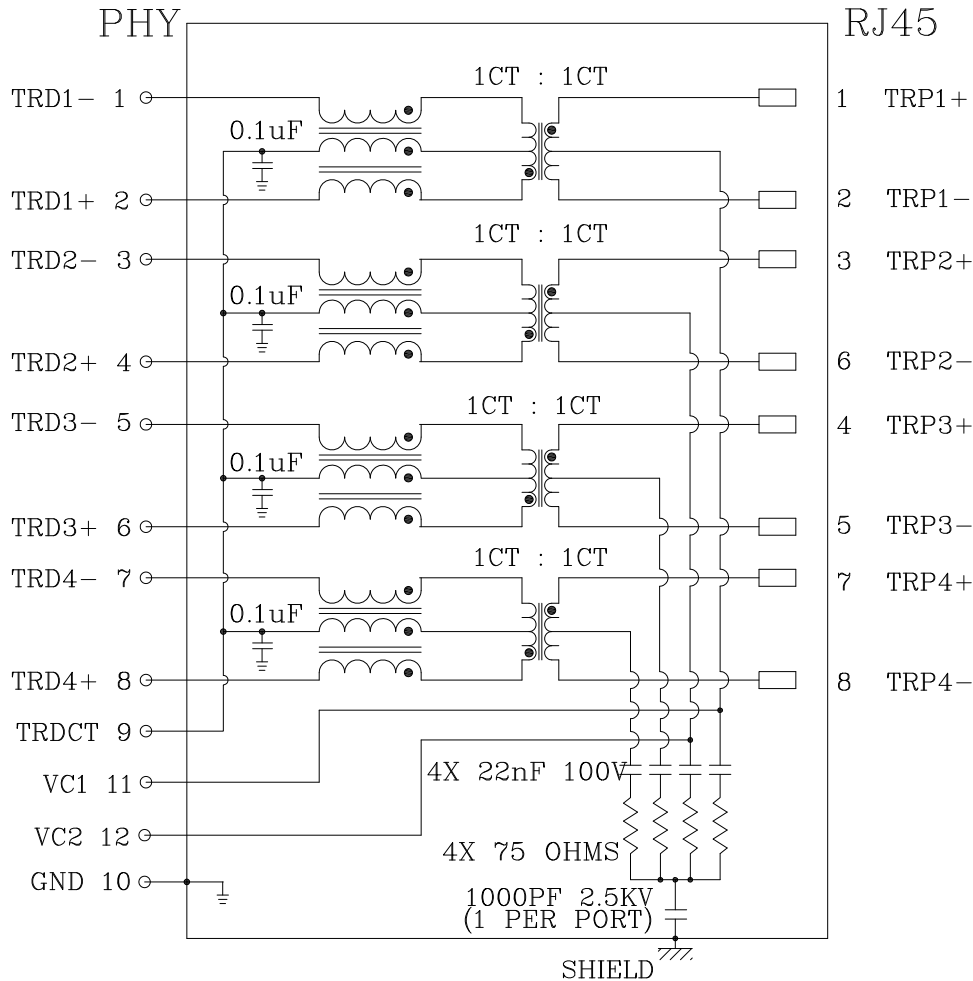
SHEET: 2/4

REV.: A

説明: △ :備註 ◇ :版本變更 ④ :尺寸序號 ■ :重點尺寸 ▼ :CPK尺寸

SIZE: A4

4. SCHEMATIC :



5. ELECTRICAL CHARACTERISTICS :

ELECTRICAL SPECIFICATIONS:

TEST NOTES:(25°±5°C)

1. TR:(100KHz,0.1V); 100%
PINS:(P1,P2):(J1,J2)=1:1±3%;(P3,P4):(J3,J6)=1:1±3%
2. LX:(100KHz,100mV,8mA, DC Bias) 100%
PINS:(P5,P6):(J4,J5)=1:1±3%;(P7,P8):(J7,J8)=1:1±3%
3. DCR: 100%
PINS:(J1,J2),(J3,J6),(J4,J5),(J7,J8)=1.2 OHM MAXIMUM
4. HIPOT: 100%
PINS(P1,P2)TO(J1,J2),(P3,P4)TO(J3,J6)=1500VAC FOR 60 SECONDS
PINS(P5,P6)TO(J4,J5),(P7,P8)TO(J7,J8)=1500VAC FOR 60 SECONDS
5. INSERTION LOSS:
-1.0dB MAXIMUM AT 1MHz TO 100MHz;
- 6.RETURN LOSS:
-18dB MINIMUM AT 1MHz TO 30MHz;
-16dB MINIMUM AT 30MHz TO 60MHz;
-12dB MINIMUM AT 60MHz TO 100MHz;
- 7.CROSS TALK:
-30dB MINIMUM AT 1MHz TO 100MHz
- 8.COMMON TO COMMON MODE REJECTION:
-30dB MINIMUM AT 1MHz TO 100MHz

REV.	ECN. NO.	DRAWN	DATE
A	NEW	JOHN	25/02/2015

DST-conn Tech. Co., Ltd.



⊗:QUALITY CONTROL ITEM		GENERAL TOLERANCE	PART NO.: 21BP1D-xxxx-xxx	
APPROVED		.X± 0.38 X.'± 2'	TITLE:RJ45 2X1 W/ LED,SHELL,T/S 100/1000 FILTER 10P8C POE	
CHECKED		.XX± 0.25 .X'± 1'		
DRAWN		.XXX± 0.13		
UNIT: mm		SCALE: 1:1	SHEET: 3/4	REV.: A

説明: △ :備註 ◇ :版本變更 ⑨ :尺寸序號 ■ :重點尺寸 ▼ :CPK尺寸

SIZE: A4

1 2 3 4 5 6 7 8

F

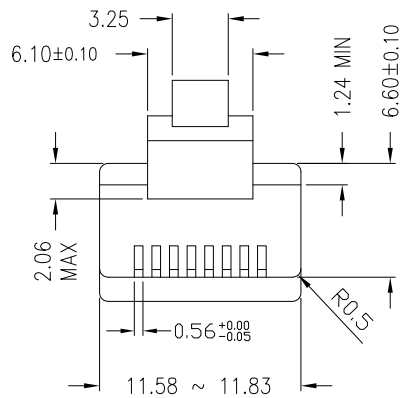
E

D

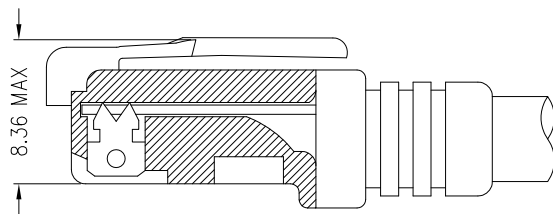
C

B

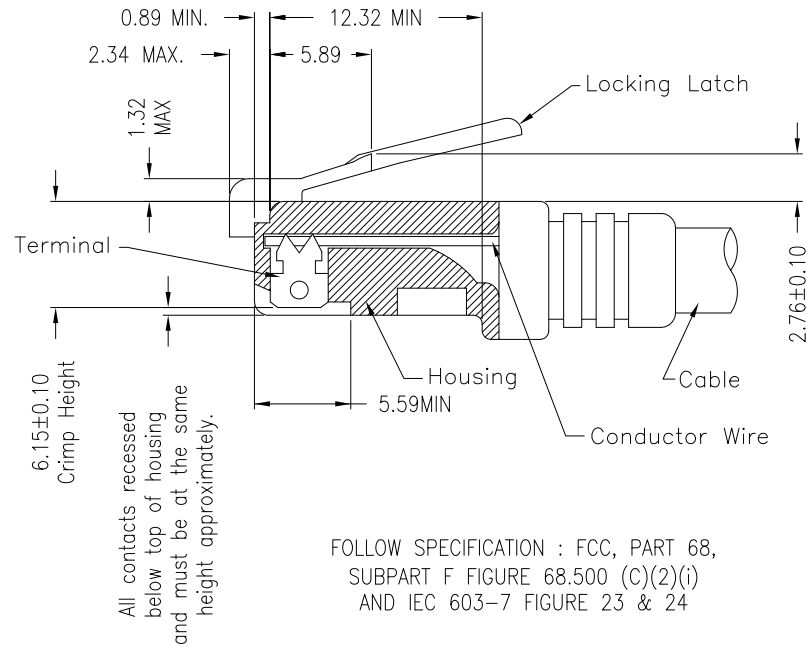
A



* There must be no damage to housing or locking latch. There must be no nicks or cuts in cable.
 * Durability : 750 cycles generally



FOLLOW SPECIFICATION : FCC, PART 68, SUBPART F
 FIGURE 68.500 (C)(2)(ii)



FOLLOW SPECIFICATION : FCC, PART 68,
 SUBPART F FIGURE 68.500 (C)(2)(i)
 AND IEC 603-7 FIGURE 23 & 24

STANDARD MODULAR PLUG ASSEMBLY

REV.	ECN. NO.	DRAWN	DATE
A	NEW	JOHN	25/02/2015

DST-conn Tech. Co., Ltd.



⊗:QUALITY CONTROL ITEM		GENERAL TOLERANCE .X± 0.38 X.*± 2' .XX± 0.25 .X.*± 1' .XXX± 0.13		PART NO.: 21BP1D-xxxx-xxx	
APPROVED				TITLE:RJ45 2X1 W/ LED,SHELL,T/S 100/1000 FILTER 10P8C POE	
CHECKED				SCALE: 1:1	SHEET: 4/4
DRAWN		UNIT: mm		REV.: A	

1

2

3

説明: △ :備註 ◇ :版本變更 ④ :尺寸序號 ■ :重點尺寸 ▼ :CPK尺寸

F

E

D

C

B

SIZE: A4