

1 2 3 4 5 6 7 8

F

E

D

C

B

A

F

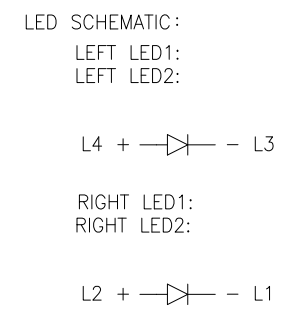
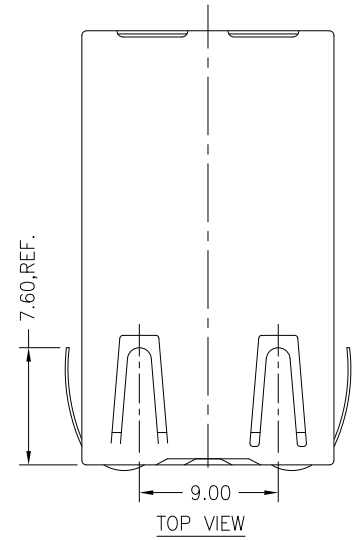
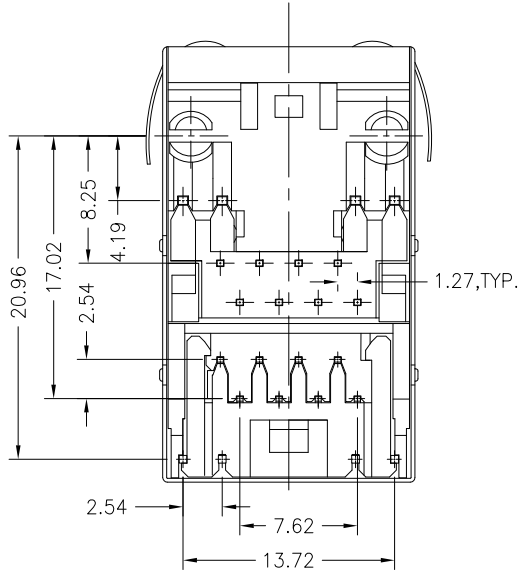
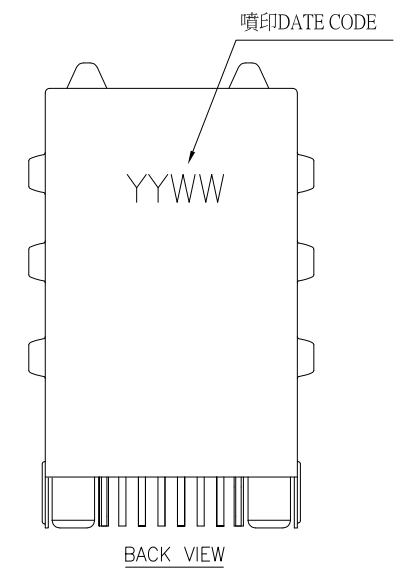
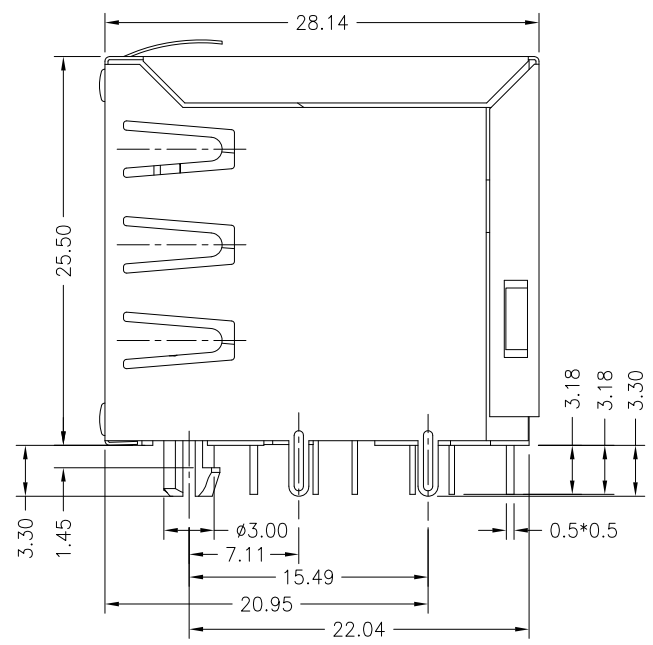
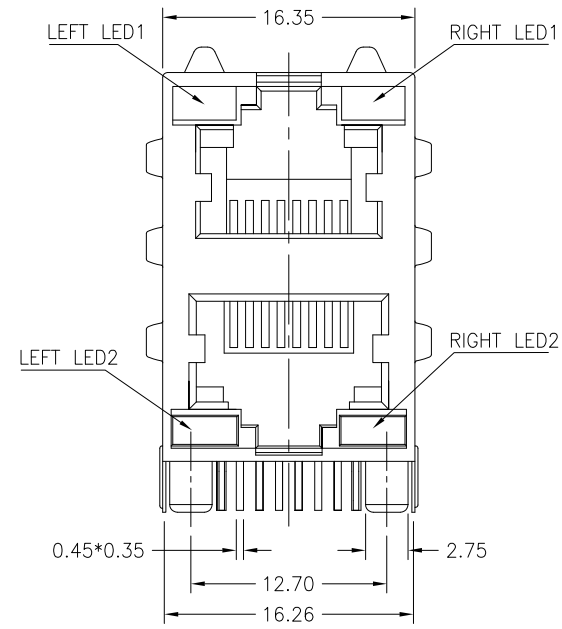
E

D

C

B

A4



NOTES:
1.MATERIAL:
HOUSING:HIGH TEMP.THERMOPLASTIC(UL94V-0),BLACK
CONTACT:PHOSPHOR BORNEZE
SHELL:BRASS,T=0.25mm
2.FINISHED:
CONTACT:50u"MIN. NICKEL UNDERPLATING ALL AREA,
100u"MIN. TIN ON SOLDER TAILS,
SELECT GOLD PLATING ON CONTACT AREA.
SHELL:30u"MIN. SOLDERABLE NICKEL PRE-PLATING ALL AREA
3.JACK CAVITY CONFORMS TO FCC RULES AND
REGULATIONS PART 68.500 (D) (2)
4.COATING APPEARANCE: GOLD PRIMARY COLOR ON CONTACT
AREA & EXTERIOR SURFACE AREA.

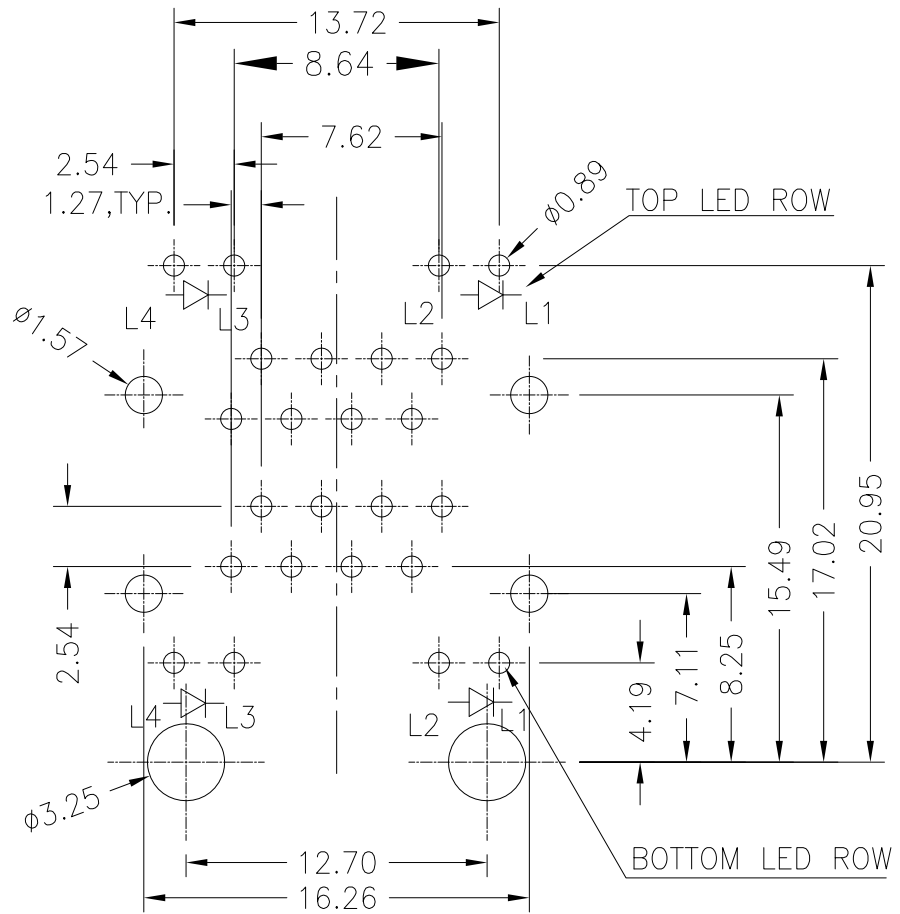
REV.	ECN. NO.	DRAWN	DATE
A	NEW	JOHN	27/01/2015

DST-conn Tech. Co., Ltd. **HSF** Compliant

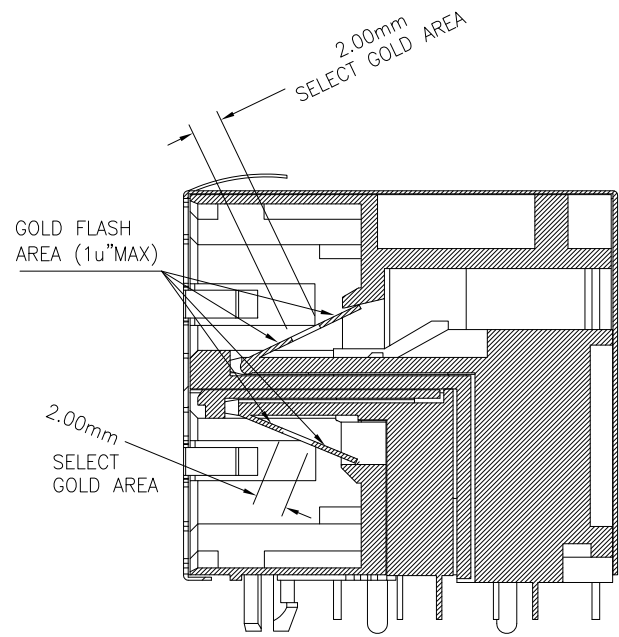
⊗:QUALITY CONTROL ITEM		GENERAL TOLERANCE		PART NO.: 21JEM1D-xxxxx		
APPROVED		.X± 0.38	X.*± 2'	TITLE:RJ45 CONNECTOR 2X1 PORT		
CHECKED		.XX± 0.25	.X*± 1'	W/ LED , SHELL , T/S 8P8C		
DRAWN		.XXX± 0.13		UNIT: mm	SCALE: 1:1	SHEET: 1/2
				REV.: A		

說明: △ :備註 ◇ :版本變更 ① :尺寸序號 ■ :重點尺寸 ▼ :CPK尺寸

1 2 3



SUGGESTED PCB LAYOUT
(TOP VIEW)
DIMENSIONAL TOLERANCE: .XX ±0.05[0.002]



REV.	ECN. NO.	DRAWN	DATE
A	NEW	JOHN	27/01/2015

DST-conn Tech. Co., Ltd. **HSF** Compliant

⊗:QUALITY CONTROL ITEM		GENERAL TOLERANCE		PART NO.: 21JEM1D-xxxxx			
APPROVED		.X± 0.38	X.*± 2°	TITLE:RJ45 CONNECTOR 2X1 PORT W/ LED , SHELL , T/S 8P8C			
CHECKED		.XX± 0.25	.X°± 1°				
DRAWN		.XXX± 0.13		UNIT: mm	SCALE: 1:1	SHEET: 2/2	REV.: A

説明: △ :備註 ◇ :版本變更 ① :尺寸序號 ■ :重點尺寸 ▼ :CPK尺寸

SIZE: A4