

1 2 3 4 5 6 7 8

F

E

D

C

B

A

F

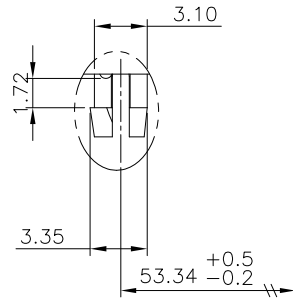
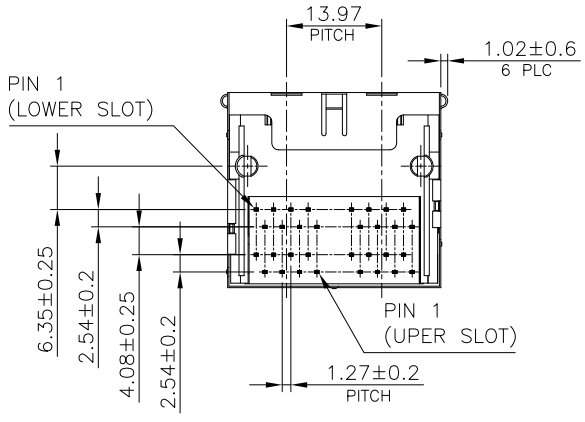
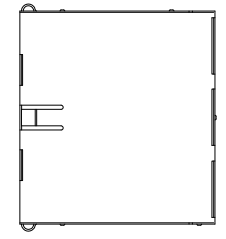
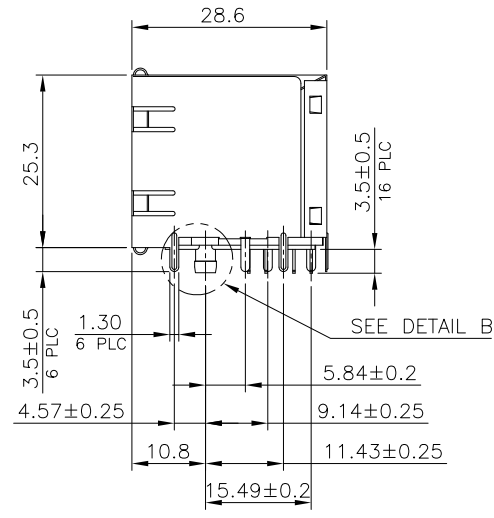
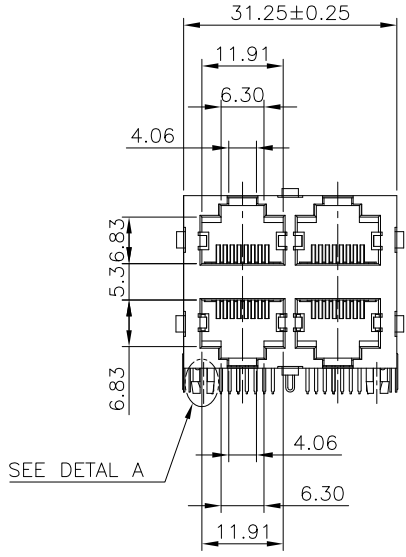
E

D

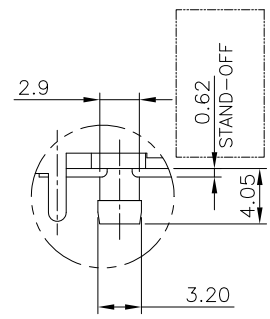
C

B

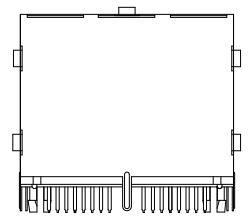
SIZE: A4



DETAIL A
SCALE 2.5:1



DETAIL B
SCALE 2:1



REV.	ECN. NO.	DRAWN	DATE
A	NEW	JOHN	28/03/2015

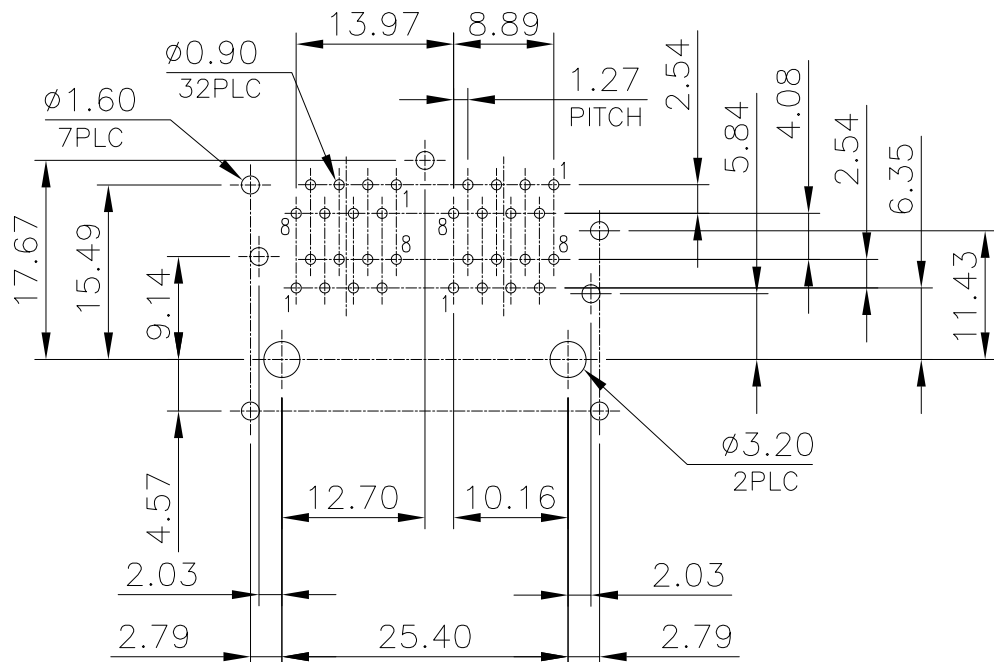
DST-conn Tech. Co., Ltd.



⊗:QUALITY CONTROL ITEM	GENERAL TOLERANCE .X± 0.38 X.'± 2' .XX± 0.25 .X'± 1' .XXX± 0.13	PART NO.: 22JS31D-xxxxx
APPROVED		TITLE:RJ45 2X2 PORT 8P8C
CHECKED		W/O LED W/ SHELL , T/S
DRAWN	UNIT: mm	SCALE: 1:1 SHEET: 1/2 REV.: A

説明: △ :備註 ◇ :版本變更 ④ :尺寸序號 ■ :重點尺寸 ▼ :CPK尺寸

1 2 3



RECOMMENDED PCB LAYOUT
 RECOMMENDED PCB THICKNESS: 1.6mm
 TOLERANCE: ±0.05mm (TOP VIEW)

NOTE:

CAVITY CONFIRMS TO FCC RULES AND REGULATIONS PART 68, SUBPART F.

1. MATERIAL:

- 1.1 HOUSING: PBT OR PA46, WITH GLASS FIBER, L94V-0, STANDARD COLOR-BLACK.
- 1.2 INSERT HOUSING: PBT, WITH GLASS FIBER, UL94V-0, STANDARD COLOR-BLACK.
- 1.3 COVER: PBT OR PA46, WITH GLASS FIBER, UL94V-0, STANDARD COLOR-BLACK.
- 1.4 CONTACTS: PHOSPHOR BRONZE.
- 1.5 SHIELD: BRASS.

2. FINISH:

- 2.1 CONTACTS: GOLD PLATED ON CONTACT AREA, 0.0254μm [1μ"] GOLD PLATED ON SOLDER TAIL, WITH ENTIRE CONTACT UNDERPLATED 1.27μm [50μ"] MIN. NICKEL
- 2.2 SHELL: 0.508μm [20μ"] MIN. NICKEL PLATED.

REV.	ECN. NO.	DRAWN	DATE
A	NEW	JOHN	28/03/2015



⊗:QUALITY CONTROL ITEM		GENERAL TOLERANCE .X± 0.38 X.'± 2' .XX± 0.25 .X'± 1' .XXX± 0.13		PART NO.: 22JS31D-xxxxx		
APPROVED		TITLE:RJ45 2X2 PORT 8P8C W/O LED W/ SHELL , T/S				
CHECKED		UNIT: mm		SCALE: 1:1	SHEET: 2/2	REV.: A
DRAWN						

説明: △ :備註 ◇ :版本變更 ④ :尺寸序號 ■ :重點尺寸 ▼ :CPK尺寸

SIZE: A4