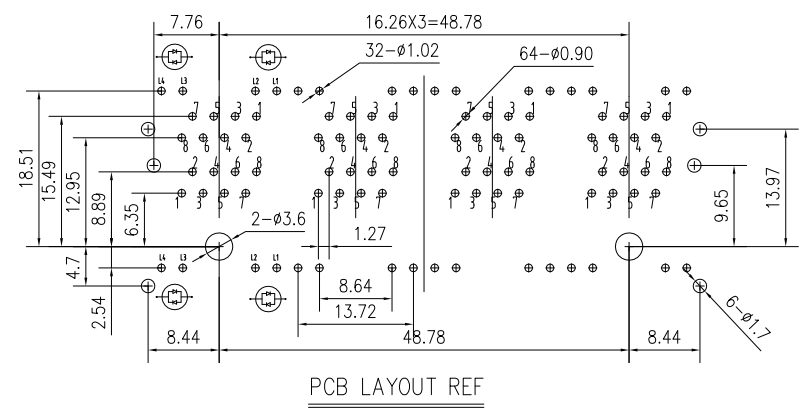
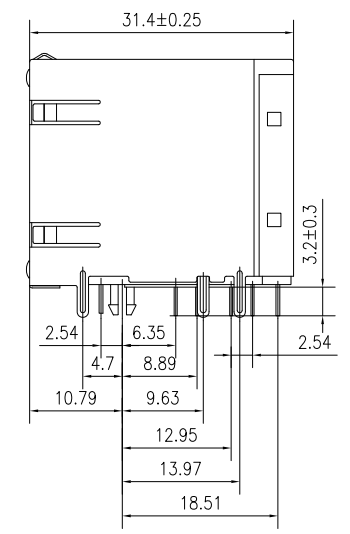
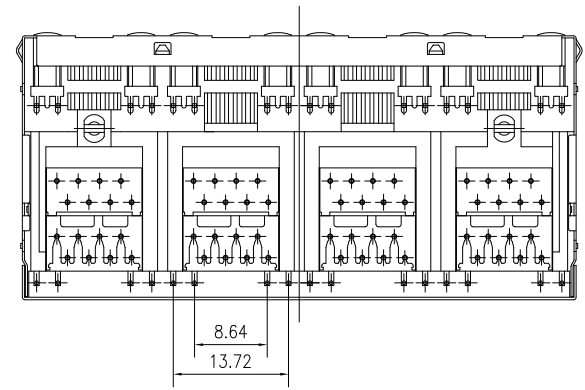
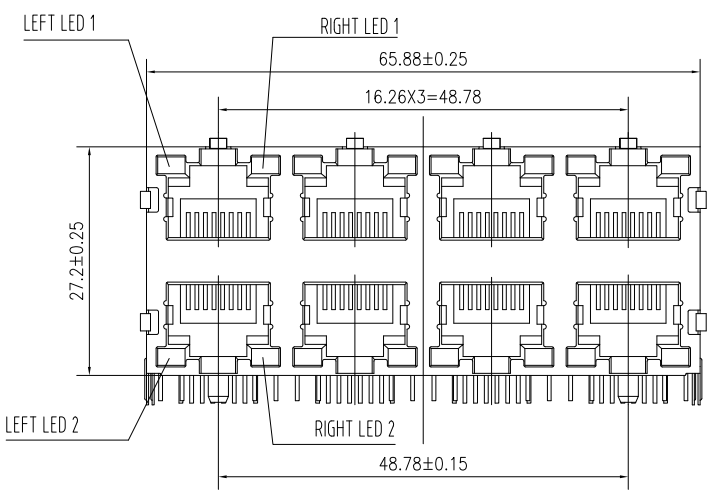
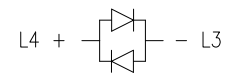


1 2 3 4 5 6 7 8

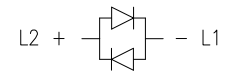
F  
E  
D  
C  
B  
A



LEFT LED1:  
LEFT LED2:



RIGHT LED1:  
RIGHT LED2:



MATERIAL:  
HOUSING: PBT+GLASS FILLED (UL 94V-0)  
SPRING WIRE: 0.45mm THICKNESS PHOSPHOR BRONZE  
ALLOY SELECTIVE GOLD PLATING OVER NICKEL  
SHIELDING: 0.25mm THICKNESS COPPER ALLOY WITH TIN PLATED  
GOLD PLATING: GOLD ON CONTACT AREA  
JACK CAVITY CONFORMS TO FCC RULES AND REGULATIONS, PART 68 SUBPART F.

REV.	ECN. NO.	DRAWN	DATE
A	NEW	JOHN	28/03/2015



⊗: QUALITY CONTROL ITEM	GENERAL TOLERANCE .X± 0.38 X: ± 2' .XX± 0.25 .X: ± 1' .XXX± 0.13	PART NO.: 24JB48D-xxxxx
APPROVED		TITLE: RJ45 2X4 PORT 8P8C W/ LED, SHELL, T/S
CHECKED		
DRAWN	UNIT: mm	SCALE: 1:1 SHEET: 1/1 REV.: A

説明: △ : 備註 ◇ : 版本變更 ④ : 尺寸序號 ■ : 重點尺寸 ▼ : CPK 尺寸

1 2 3

SIZE: A4