

1 2 3 4 5 6 7 8

F

E

D

C

B

A

F

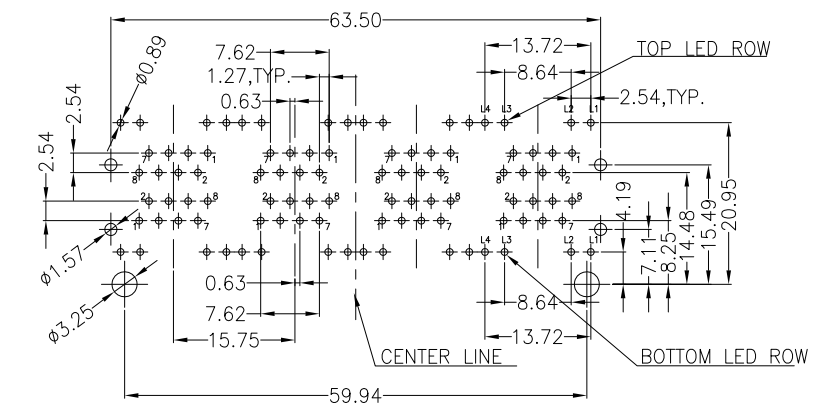
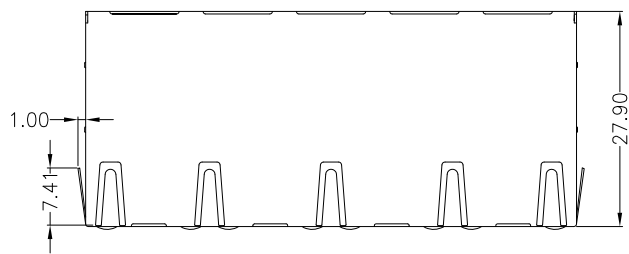
E

D

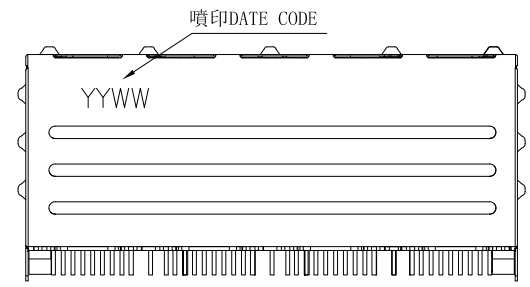
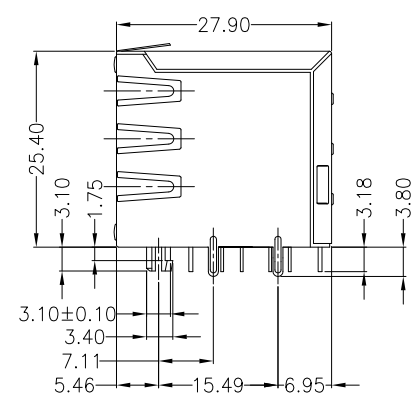
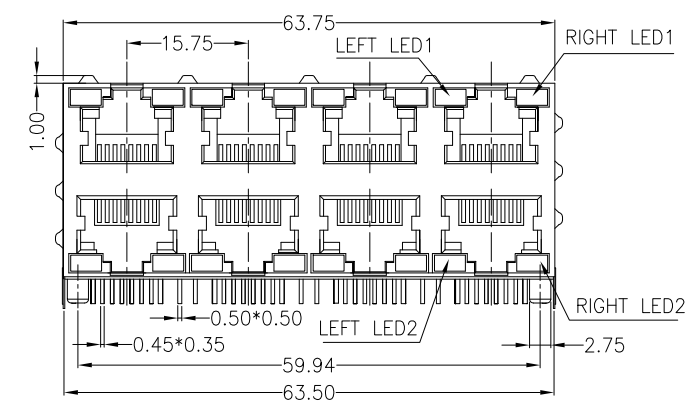
C

B

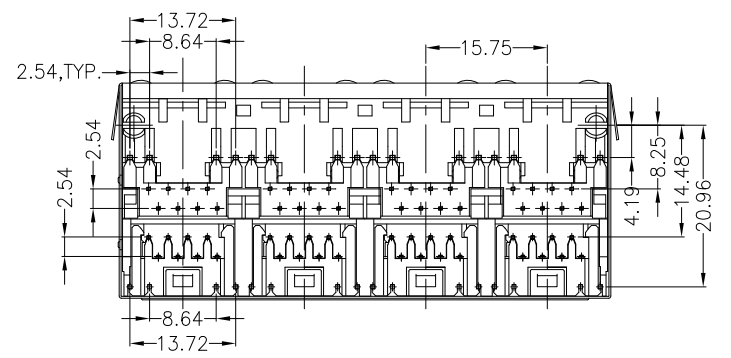
A



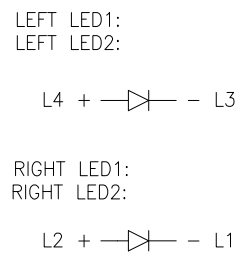
PCB LAYOUT TOLERANCE: ±0.05



BACK VIEW



LED SCHEMATIC:



NOTES:

- 1. MATERIAL:
HOUSING: HIGH TEMP. THERMOPLASTIC, BLACK, UL 94V-0
CONTACT: PHOSPHOR BORON, T=0.35MM.
SHELL: BRASS, T=0.25MM.
- 2. FINISH:
CONTACT: 50u" MIN NICKEL UNDERPLATING ALL AREA,
100u" MIN TIN ON SOLDER TAILS, AND
GOLD PLATING ON CONTACT AREA.
SHELL: 30u" MIN. NICKEL UNDERPLATING ALL AREA
T=0.25mm COPPER ZINC ALLOY PLATED WITH NICKEL
- 3. OPERATING TEMPERATURE: -40°C ~ +85°C.
- 4. JACK CAVITY CONFORMS TO FCC RULES AND REGULATIONS PART 68, SUBPART F

REV.	ECN. NO.	DRAWN	DATE
A	NEW	JOHN	27/03/2015

DST-conn Tech. Co., Ltd.



⊗: QUALITY CONTROL ITEM		GENERAL TOLERANCE		PART NO.: 24JEM4D-xxxxx		
APPROVED		.X ± 0.38	X.' ± 2'	TITLE: RJ45 2X4 PORT 8P8C		
CHECKED		.XX ± 0.25	.X' ± 1'	W/ LED, SHELL, T/S		
DRAWN		.XXX ± 0.13		UNIT: mm	SCALE: 1:1	SHEET: 1/1
						REV.: A

説明: △ : 備註 ◇ : 版本變更 ㊦ : 尺寸序號 ■ : 重點尺寸 ▼ : CPK 尺寸

1 2 3

SIZE: A4