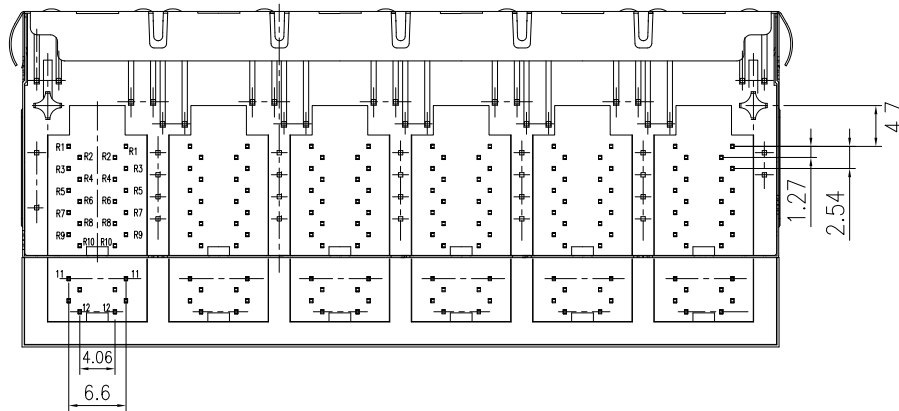
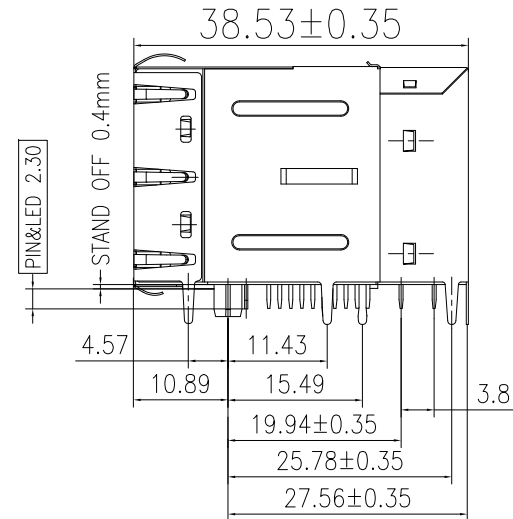
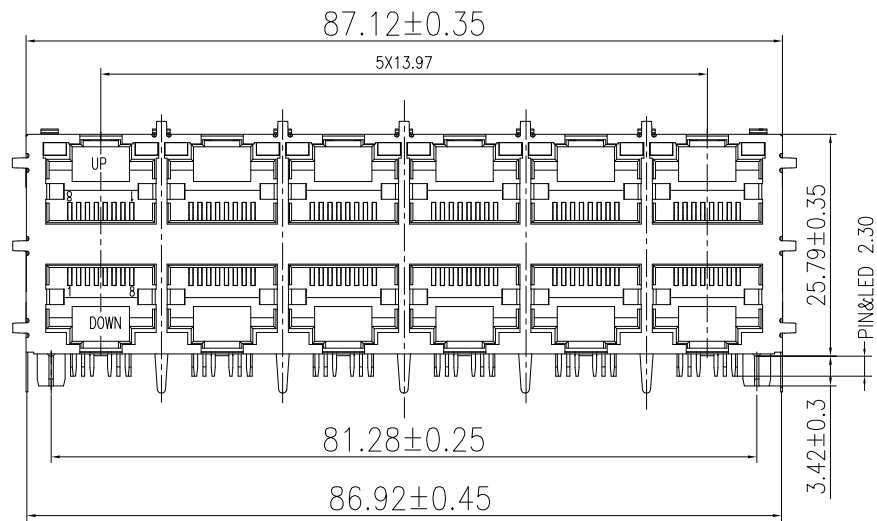


1. MECHANICAL DIMENSIONS :



MATERIAL:

HOUSING: (SEE NOTE)+GLASS FILLED (UL 94V-0),BLACK  
 SPRING WIRE: 0.46mm THICKNESS PHOSPHOR BRONZE

ALLOY SELECTIVE GOLD PLATING OVER NICKEL  
 SHIELDING: 0.2mm THICKNESS COPPER ALLOY WITH TIN PLATED  
 GOLD PLATING: GOLD PLATING (SEE NOTE) ON CONTACT AREA  
 JACK CAVITY CONFORMS TO FCC RULES AND REGULATIONS,PART 68 SUBPART F.  
 PDE RATING:60W,720mA,57V,FOR IEEE802.3AF,AT REEQUIREMENT.

REV.	ECN. NO.	DRAWN	DATE
A	NEW	JOHN	13/05/2015

DST-conn Tech. Co., Ltd.

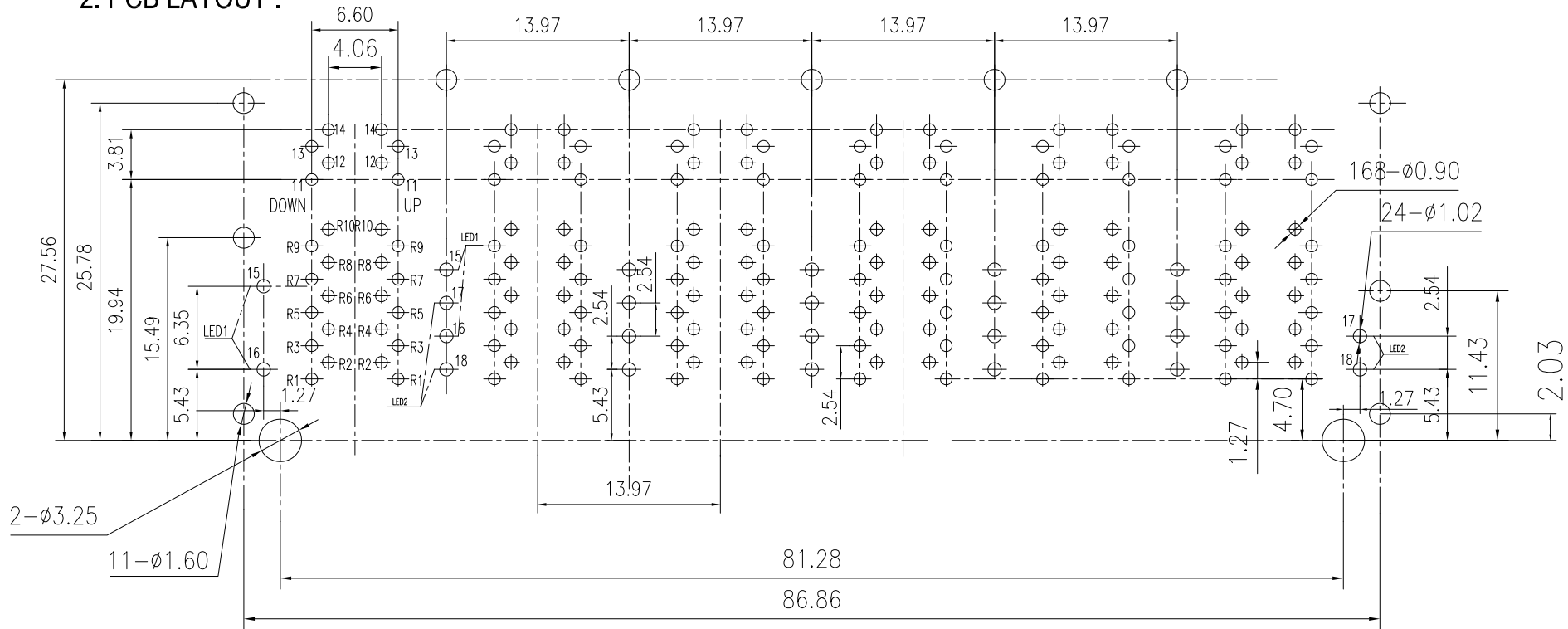


⊗:QUALITY CONTROL ITEM		GENERAL TOLERANCE		PART NO.: 26BP3D-xx1G-P109		
APPROVED		.X± 0.38	X.'± 2'	TITLE:RJ45 2X6 W/LED,SHELL,T/S		
CHECKED		.XX± 0.25	.X'± 1'	100/1000MBPS 10P8C POE		
DRAWN		.XXX± 0.13		UNIT: mm	SCALE: 1:1	SHEET: 1/4
						REV.: A

説明: △ :備註 ◇ :版本變更 ① :尺寸序號 ■ :重點尺寸 ▼ :CPK尺寸

SIZE: A4

## 2. PCB LAYOUT :

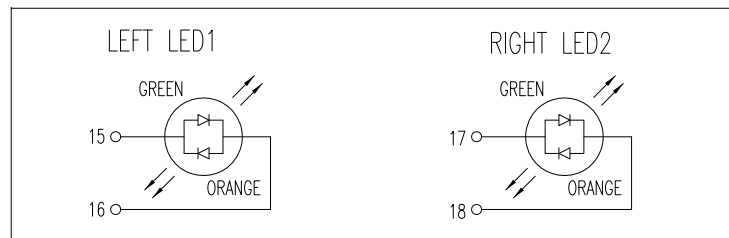


### SUGGESTED PCB LAYOUT

(TOP VIEW)

DIMENSIONAL TOLERANCE: .XX ±0.05[0.002]

## 3. LED SCHEMATIC :



### NOTE:

26BP3D-xx1G-P109

GOLD PLATING:

D: 6u"

E: 15u"

F: 30u"

G: 50u"

MATERIAL:

I: PA66(FOR DIP一般製程)

E: LCP(FOR PIP高溫製程)/高溫燈

REV.	ECN. NO.	DRAWN	DATE
A	NEW	JOHN	13/05/2015

DST-conn Tech. Co., Ltd.

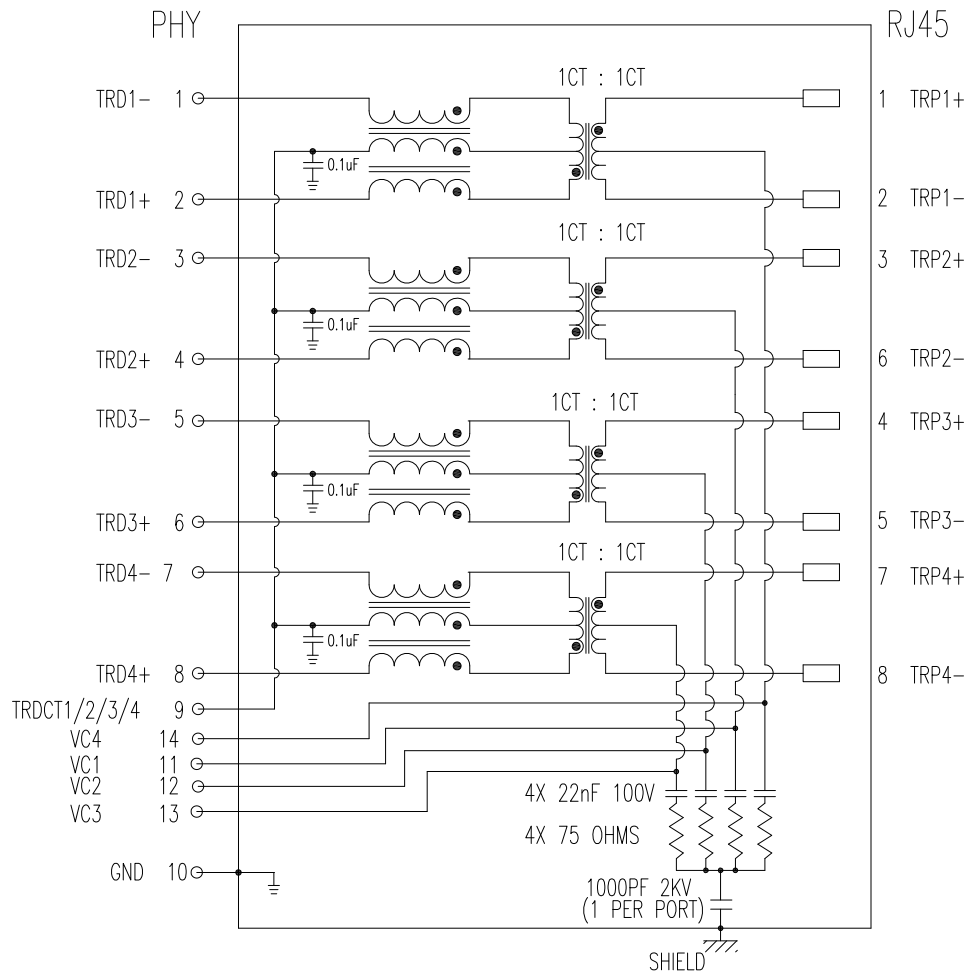


⊗:QUALITY CONTROL ITEM		GENERAL TOLERANCE		PART NO.: 26BP3D-xx1G-P109		
APPROVED		.X± 0.38	X.*± 2'	TITLE:RJ45 2X6 W/LED,SHELL,T/S		
CHECKED		.XX± 0.25	.X*± 1'	100/1000MBPS 10P8C POE		
DRAWN		.XXX± 0.13		UNIT: mm	SCALE: 1:1	SHEET: 2/4
						REV.: A

說明: △ :備註 ◇ :版本變更 ① :尺寸序號 ■ :重點尺寸 ▼ :CPK尺寸

SIZE: A4

#### 4. SCHEMATIC :



#### 5. ELECTRICAL CHARACTERISTICS :

ELECTRICAL SPECIFICATIONS:

TEST NOTES:(25°±5°C)

1. TR:(100KHz,0.1V); 100%

PINS:(P1,P2):(J1,J2)=1:1±3%;(P3,P4):(J3,J6)=1:1±3%

PINS:(P5,P6):(J4,J5)=1:1±3%;(P7,P8):(J7,J8)=1:1±3%

2. LX:(100KHz,100mV,8mA, DC Bias) 100%

PINS:(P1,P2),(P3,P4),(P5,P6),(P7,P8)=350uH MINIMUM

3. DCR: 100%

PINS:(J1,J2),(J3,J6),(J4,J5),(J7,J8)=1.2 OHM MAXIMUM

4. HIPOT: 100%

PINS(P1,P2)TO(J1,J2),(P3,P4)TO(J3,J6)=1500VAC FOR 60 SECONDS

PINS(P5,P6)TO(J4,J5),(P7,P8)TO(J7,J8)=1500VAC FOR 60 SECONDS

5. INSERTION LOSS:

-1.0dB MAXIMUM AT 1MHz TO 100MHz;

6.RETURN LOSS:

-18dB MINIMUM AT 1MHz TO 30MHz;

-16dB MINIMUM AT 30MHz TO 60MHz;

-12dB MINIMUM AT 60MHz TO 100MHz;

7.CROSS TALK:

-30dB MINIMUM AT 1MHz TO 100MHz

8.COMMON TO COMMON MODE REJECTION:

-30dB MINIMUM AT 1MHz TO 100MHz

REV.	ECN. NO.	DRAWN	DATE
A	NEW	JOHN	13/05/2015

**DST**-conn Tech. Co., Ltd.



⊗:QUALITY CONTROL ITEM		GENERAL TOLERANCE		PART NO.: 26BP3D-xx1G-P109			
APPROVED		.X± 0.38	X.*± 2'	TITLE:RJ45 2X6 W/LED,SHELL,T/S 100/1000MBPS 10P8C POE			
CHECKED		.XX± 0.25	.X*± 1'				
DRAWN		.XXX± 0.13		UNIT: mm	SCALE: 1:1	SHEET: 3/4	REV.: A

説明: △ :備註 ◇ :版本變更 ① :尺寸序號 ■ :重點尺寸 ▼ :CPK尺寸

SIZE: A4

1 2 3 4 5 6 7 8

F

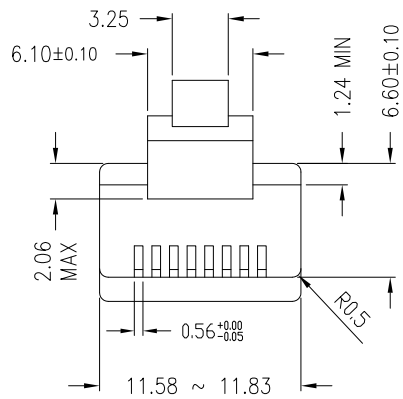
E

D

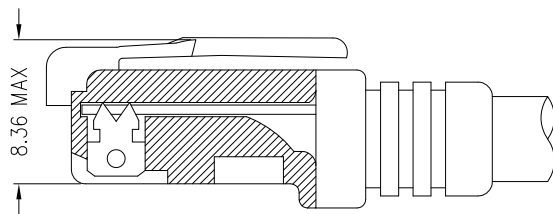
C

B

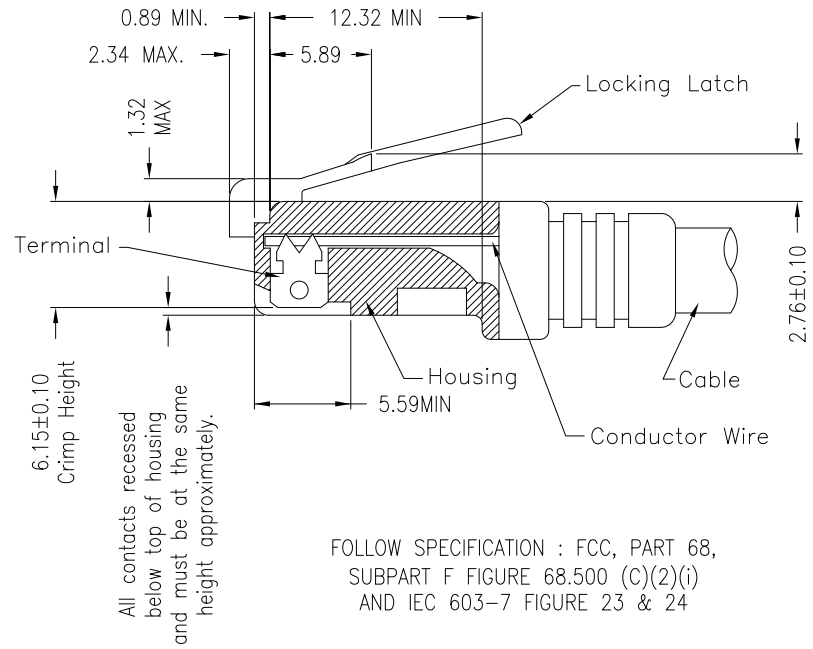
A



\* There must be no damage to housing or locking latch. There must be no nicks or cuts in cable.  
 \* Durability : 750 cycles generally



FOLLOW SPECIFICATION : FCC, PART 68, SUBPART F  
 FIGURE 68.500 (C)(2)(ii)



FOLLOW SPECIFICATION : FCC, PART 68,  
 SUBPART F FIGURE 68.500 (C)(2)(i)  
 AND IEC 603-7 FIGURE 23 & 24

STANDARD MODULAR PLUG ASSEMBLY

REV.	ECN. NO.	DRAWN	DATE
A	NEW	JOHN	13/05/2015

**DST**-conn Tech. Co., Ltd.



⊗:QUALITY CONTROL ITEM		GENERAL TOLERANCE		PART NO.: 26BP3D-xx1G-P109	
APPROVED		.X± 0.38	X.*± 2'	TITLE:RJ45 2X6 W/LED,SHELL,T/S	
CHECKED		.XX± 0.25	.X*± 1'	100/1000MBPS 10P8C POE	
DRAWN		.XXX± 0.13		UNIT: mm	SCALE: 1:1
				SHEET: 4/4	REV.: A

1

2

3

説明: △ :備註 ◇ :版本變更 ④ :尺寸序號 ■ :重點尺寸 ▼ :CPK尺寸

F

E

D

C

B

SIZE: A4