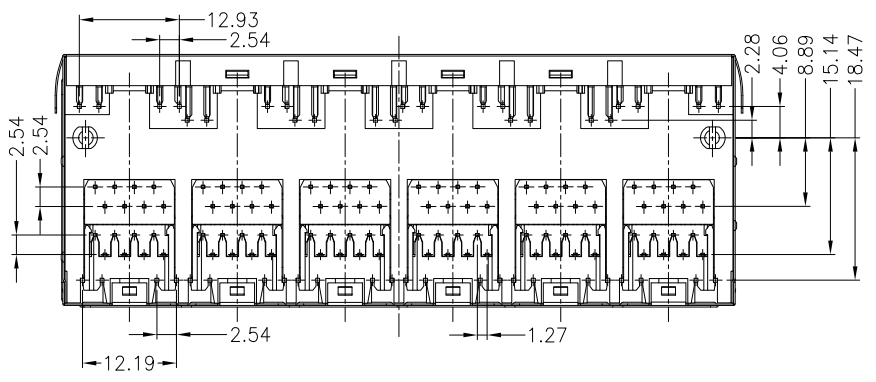
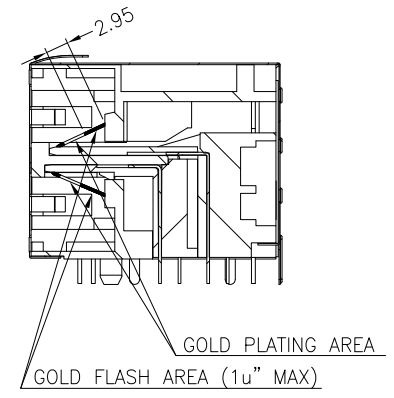
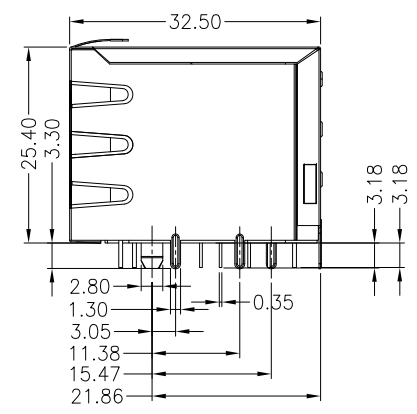
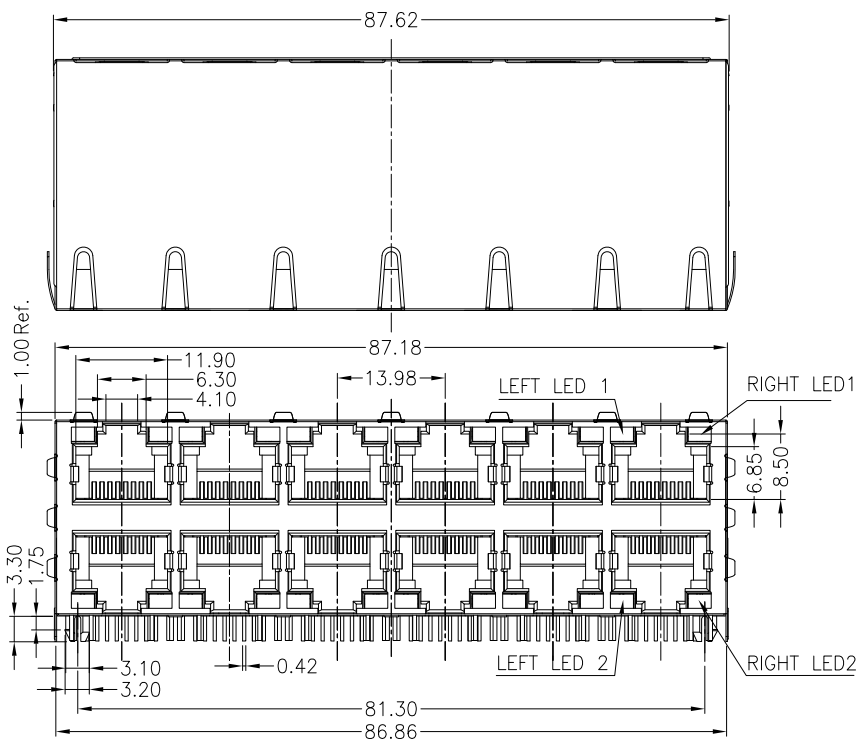


1 2 3 4 5 6 7 8

F
E
D
C
B
A



NOTES:
 1.MATERIAL:
 HOUSING:HIGH TEMP.THERMOPLASTIC,BLACK,UL 94V-0
 CONTACT:PHOSPHOR BORNZE,T=0.35mm.
 SHELL:SUS201 1/2H
 2.FINISH:
 CONTACT:50u"MIN NICKEL UNDERPLATING ALL AREA,
 100u"MIN MATTE TIN ON SOLDER TAILS,
 GOLD PLATING ON CONTACT AREA.
 3.OPERATING TEMPERATURE:-40°C~+85°C.
 4.JACK CAVITY CONFORMS TO FCC RULES AND
 REGULATIONS PART 68, SUBPART F

REV.	ECN. NO.	DRAWN	DATE
A	NEW	JOHN	26/03/2015

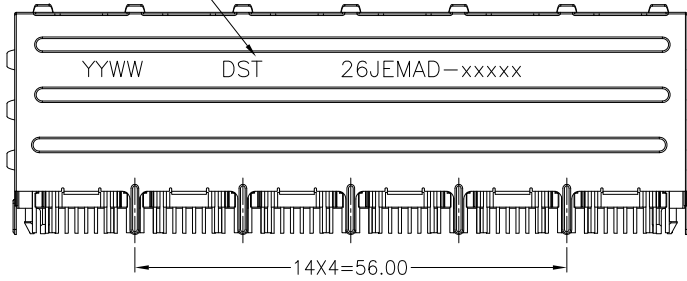
DST-conn Tech. Co., Ltd. **HSF** Compliant

⊗:QUALITY CONTROL ITEM		GENERAL TOLERANCE		PART NO.: 26JEMAD-xxxxx		
APPROVED		.X± 0.38	X.*± 2'	TITLE:RJ45 2X6 PORT 8P8C		
CHECKED		.XX± 0.25	.X*± 1'	W/ LED, SHELL , T/S		
DRAWN		.XXX± 0.13		UNIT: mm	SCALE: 1:1	SHEET: 1/2
				REV.: A		

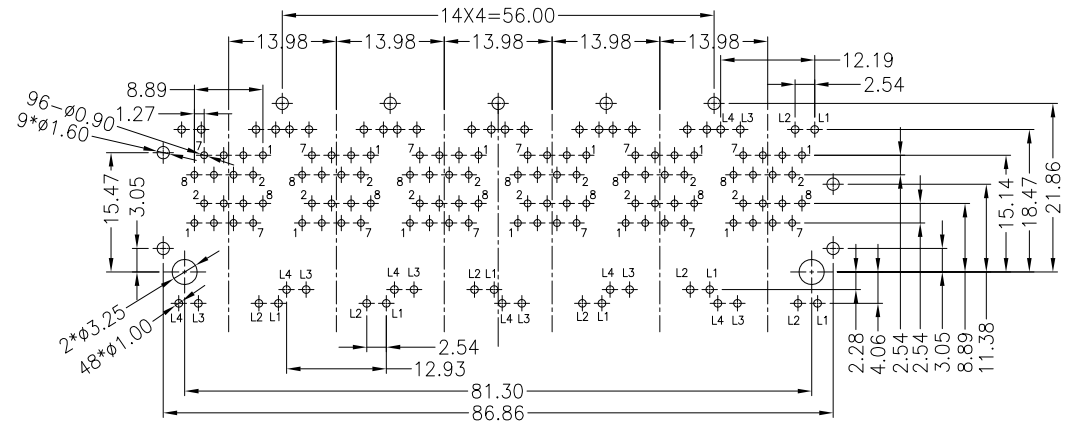
1 2 3 說明: △ :備註 ◇ :版本變更 ① :尺寸序號 ■ :重點尺寸 ▼ :CPK尺寸

F
E
D
C
B
A
SIZE: A4

噴印DATE CODE, P/N

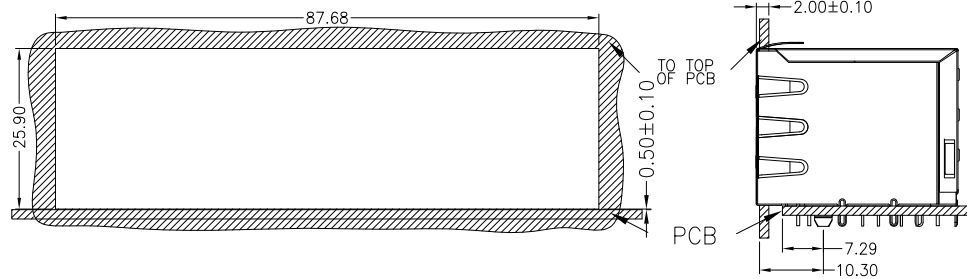


BACK VIEW



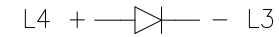
PCB LAYOUT TOLERANCE: ±0.05

RECOMMENDED PANEL OPENING

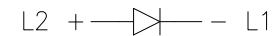


LED SCHEMATIC:

LEFT LED1:
LEFT LED2:



RIGHT LED1:
RIGHT LED2:



REV.	ECN. NO.	DRAWN	DATE
A	NEW	JOHN	26/03/2015

DST-conn Tech. Co., Ltd.



⊗:QUALITY CONTROL ITEM		GENERAL TOLERANCE		PART NO.: 26JEMAD-xxxxx		
APPROVED		.X± 0.38	X.*± 2'	TITLE:RJ45 2X6 PORT 8P8C		
CHECKED		.XX± 0.25	.X*± 1'	W/ LED, SHELL, T/S		
DRAWN		.XXX± 0.13		UNIT: mm	SCALE: 1:1	SHEET: 2/2
						REV.: A

說明: △ :備註 ◇ :版本變更 ① :尺寸序號 ■ :重點尺寸 ▼ :CPK尺寸

SIZE: A4