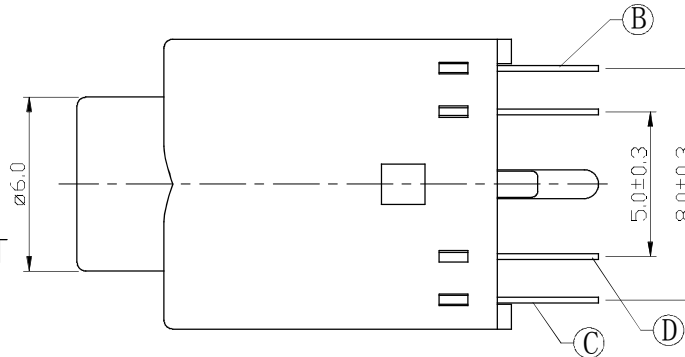
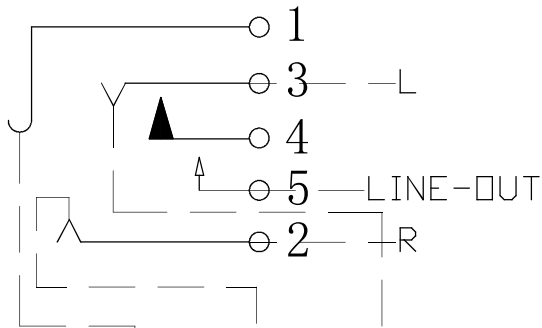
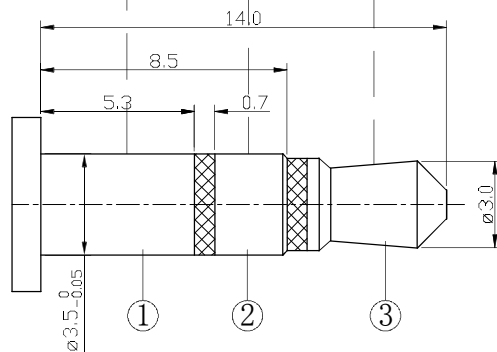


SCHEMATIC



ITEM	PART NO.	PANTONE COLOR
1	A33580V-31DLNG	LIME

SPECIFICATION
 1.Rating ?DC 30V 0.5A?
 2.Contact resistance?≤0.03Ω?
 3.Insulation resistance??100MΩ (DC250V)?
 4.Withstand voltage?500VAC ?
 5.Insertion and extraction force?3-20N;
 6.life test?5,000 cycles?



NO.	DESCRIPTION	QTY	MATERIAL	PLATING
F	BODY	1	PA9T	
E	SHUNT B	1	BRASS	Ag-Plating
D	SHUNT A	1	SUS301	Ag-Plating
C	TIP SPRING	1	BRONZE (C5210)	Ag-Plating
B	RIGHT SPRING	1	BRONZE (C5210)	Ag-Plating
A	EARTH	1	BRONZE (C5210)	Ag-Plating

UNIT:MM	TYPE:	MODEL NO:	PAPER NO:	PAGE 1 OF 1
	PHONE JACK	A33580V-31DLNG	TOLERANCES	SCALE
			±0.15	±1.5'
			4:1	1

DESIGNER
 BY:
 CHECK
 BY:
 APPROVED
 BY:

DST-conn Tech. Co., Ltd.