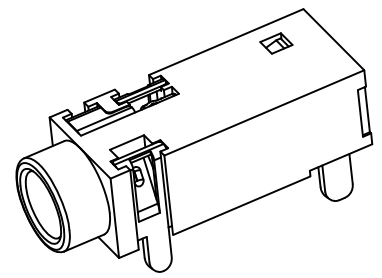
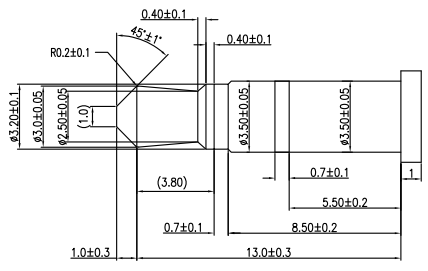
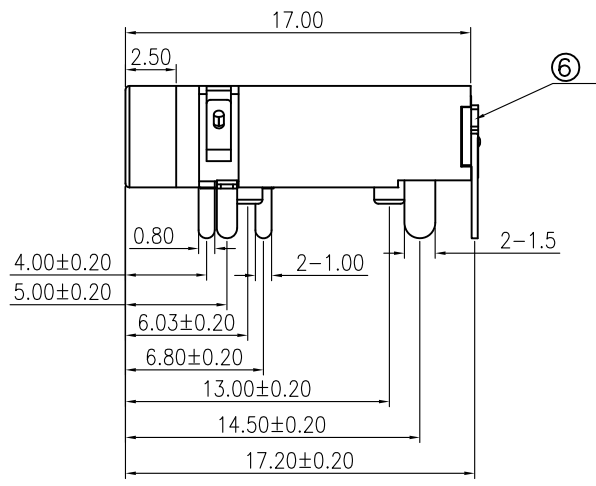
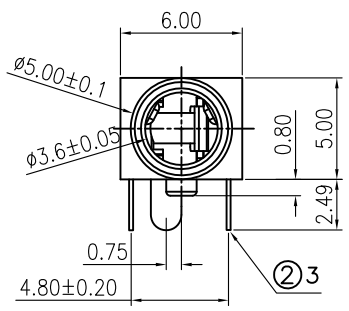
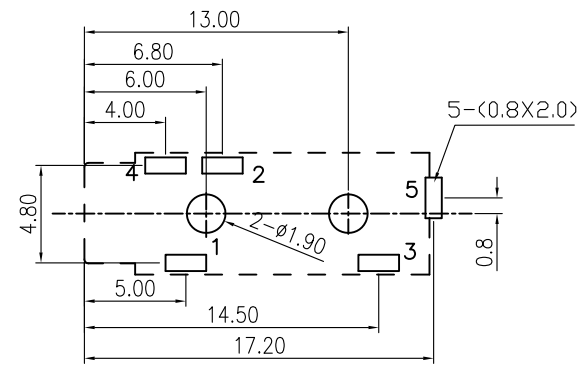
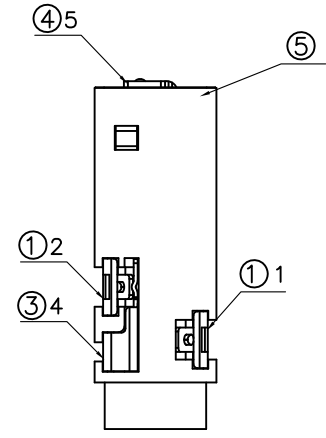
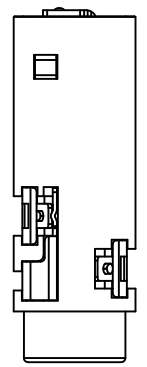
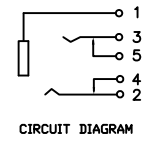


REV.	ECN NO.	DESCRIPTION	DESIGN	DATE
A	XXXXXXX	更新图框	侯聰生	2012.09.04



SPECIFICATIONS:

- ELECTRICAL CHARACTERISTICS:
 - RATING:
 - CONTACT RESISTANCE: 30mΩ MAX.(INITIAL)
 - DIELECTRIC WITHSTANDING VOLTAGE: 500V AC FOR ONE MINUTE
 - INSULATION RESISTANCE: 100MΩ MIN. MEASURED BY 500V DC
- MECHANICAL CHARACTERISTICS:
 - INSERTION FORCE : 0.3~3.0 KGF
 - WITHDRAWAL FORCE : 0.3~3.0 KGF
- LIFE TEST: 5,000 CYCLES MIN.
- FOR REFLOW SOLDERING LEAD-FREE PROCESS.
- * REPRESENT CRITICAL DIMENSIONS.



NO.	DESCRIPTION	QTY	MATERIAL	PLATING & COLOR
④	COVER PC-PJ-3515-Z1R1	1	PA-66	Lime
⑤	HOUSING PH-PJ-3514-Z1R1	1	PA-66	Lime
①	TERMINAL MT-PJ-3025-5Q+S	1	BRASS t=0.30	Ag-Plated
③	TERMINAL MT-PJ-3025-4Q+S	1	BRASS t=0.20	Ag-Plated
②	TERMINAL MT-PJ-3025-3Q+S	1	PHOSPHOR BRONZE t=0.30	Ag-Plated
①	TERMINAL MT-PJ-3025-2Q+S	2	PHOSPHOR BRONZE t=0.20	Ag-Plated

UNLESS OTHERWISE SPECIFIED TOLERANCES

DST-conn Tech. Co., Ltd.

DECIMALS:	ANGLES:	DWG NO.	PART NAME:
DIM TOL	DIM TOL	DESIGN: 侯聰生	ø3.5 PHONE JACK
X. ±0.50	X. ±2°	2012.09.04	PART NO.
X.X ±0.30	X.X ±1°	CHECK:	A33760D-3AILNG
X.XX ±0.20	X.XX	APPROVED	REV. UNIT: SHEET:
X.XXX ±0.10	X.XXX		A mm 1/1