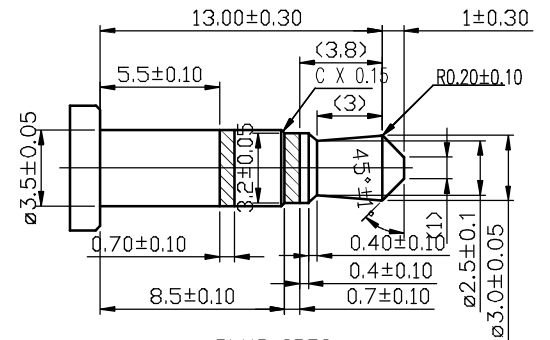
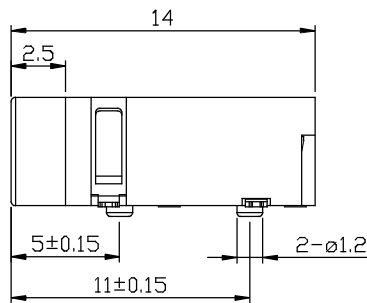
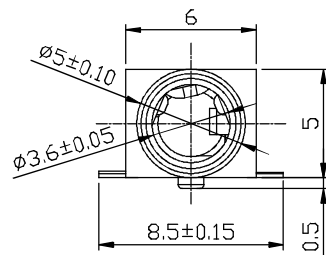
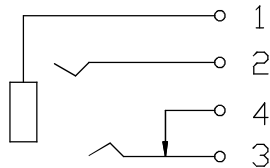


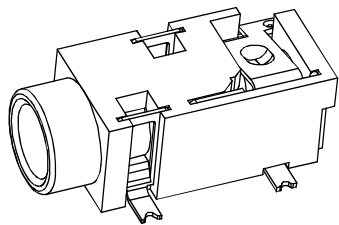
PCB LAYOUT TOP VIEW



PLUG SPEC



CIRCUIT DIAGRAM



④	HOUSING PH-PJ-3509-L6B	1	PA-9T (Black)	
③	TERMINAL MT-PJ-3509-3Q3S	1	BRASS t=0.30	Ag-Plated
②	TERMINAL MT-PJ-3509-2Q1S	1	PHOSPHOR BRONZE t=0.25	Ag-Plated
①	TERMINAL MT-PJ-3509-1Q1S	2	PHOSPHOR BRONZE t=0.20	Ag-Plated
No.	PART NAME	QTY	MATERIAL (THICK, COLOR)	REMARK

DSND	ChuYunFeng	DATE	2009. 03. 11	SCALE: 3 : 1	NAME: EARPHONE JACK
CHKD		DATE		VIEW:	
Marker	Describe	Data	DSND	APVD	CAT. NO. A33810S-31DBNR

UNSPECIFIED TOLERANCE	≤4	4-16	≥16	ANGULAR
	±0.15	±0.20	±0.30	±5°

**DST**-conn Tech. Co., Ltd.

DWN. NO.  
Q/XL-QW-001A-0105 B0