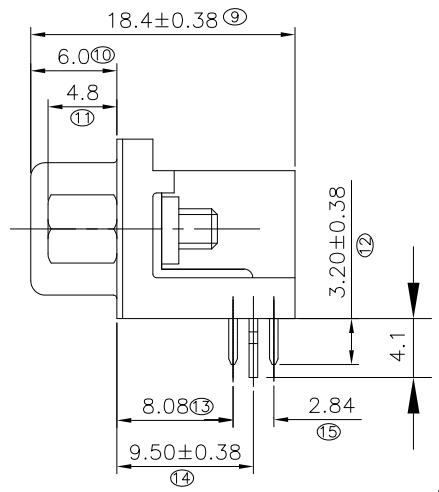
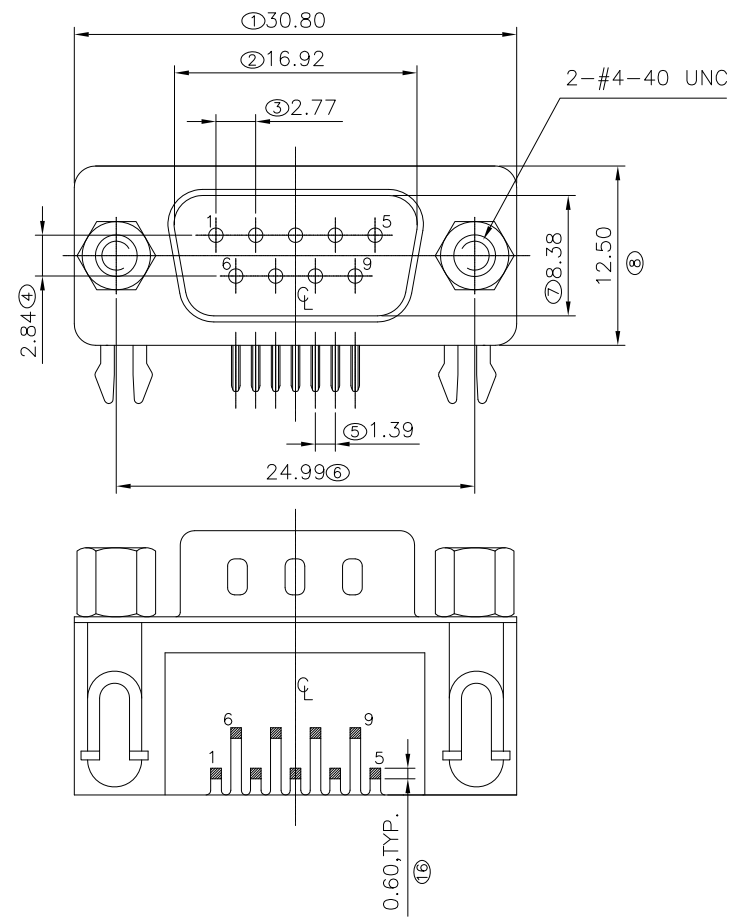
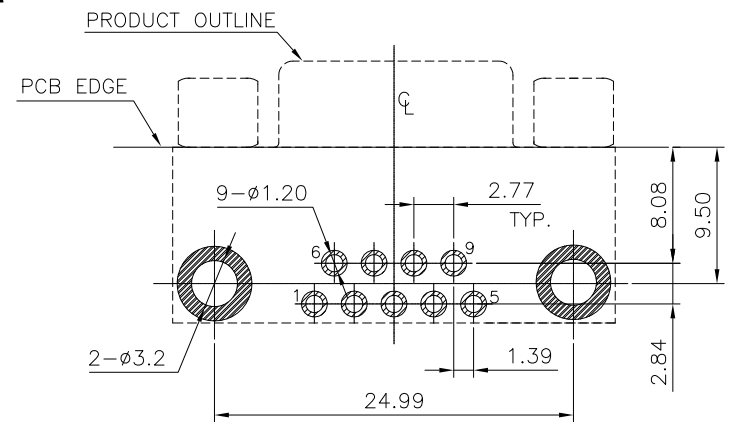


RoHS Compliant

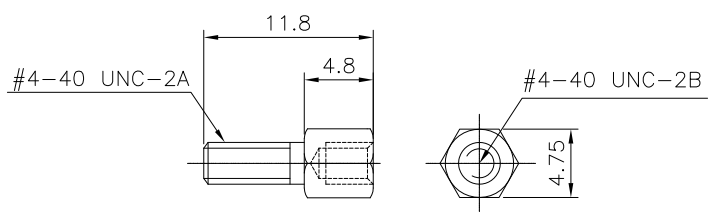
SYMBOL	REV.	REVISION	APPROVAL	DATE
	A	新版圖紙	Winky	2009/07/10



- NOTE:
- MATERIAL:
    - HOUSING: PBT, UL94 V-0 BLACK
    - COVER: PBT, UL94 V-0 BLACK
    - CONTACT: COPPER ALLOY
    - SHELL: SPCC
    - BOARD LOCK: SPCC
    - SCREW: STEEL
  - FINISH:
    - CONTACT:
      - GOLD PLATED G/F ON CONTACT AREA
      - TIN PLATING ON SOLDER TAIL AREA
      - NICKEL UNDERPLATING OVERALL
    - SHELL:
      - NICKEL PLATING OVERALL
    - BOARD LOCK:
      - TIN PLATING OVERALL
      - NICKEL UNDERPLATING OVERALL
    - SCREW:
      - NICKEL UNDERPLATING OVERALL



RECOMMENDED PCB LAYOUT(BOTTOM VIEW)  
T=1.60MM,TOLERANCE:±0.05



SCREW

**DST**-conn Tech. Co., Ltd.

COPYRIGHT RESERVED, PLEASE DO NOT COPY.

PART NAME		DR 9PIN 公铆锁螺丝		DRAWING	Winky	DWG. No.	DD01
PART NO.		DD01-SDGB009TLKE		CHECK	Roy	REV.	A
UNIT :	TOLERANCE UNLESS	X.X ± 0.30	ANGLE	APPROVAL	John	DATE	2009/07/10
	mm	X.XX ± 0.25		SCALE	1:1	PAGE	1 OF 1
	OTHERWISE SPECIFIED	X.XXX ± 0.20	±2°				