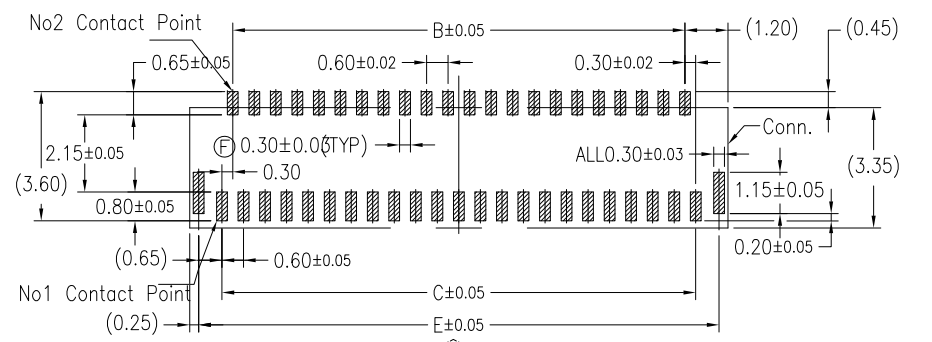
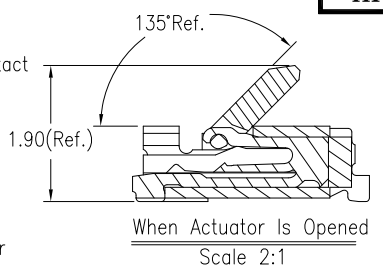
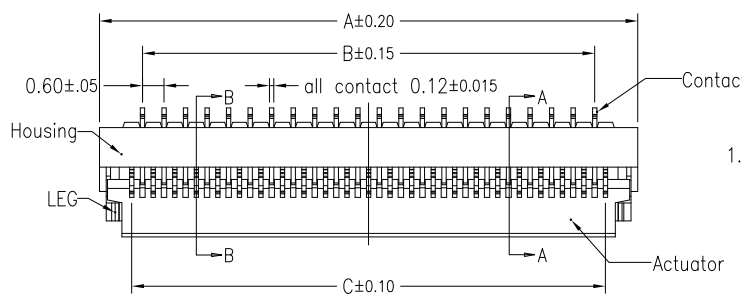
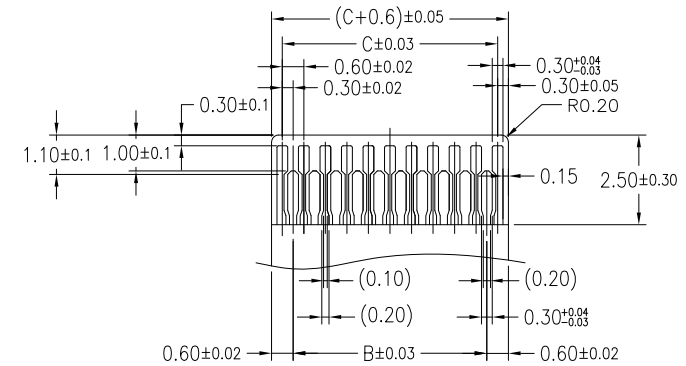
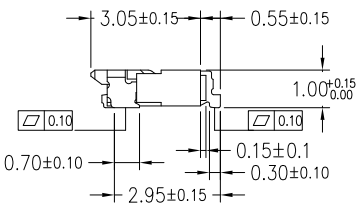
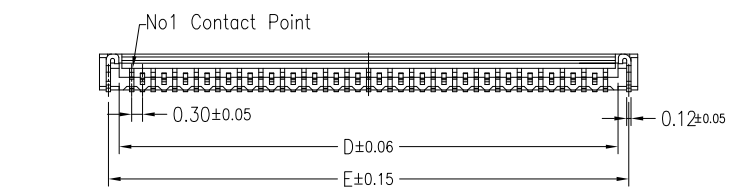


**HF Compliant**

SYMBOL	REV.	REVISION	APPROVAL	DATE
	A	新版圖紙	Winky	2013.02.18

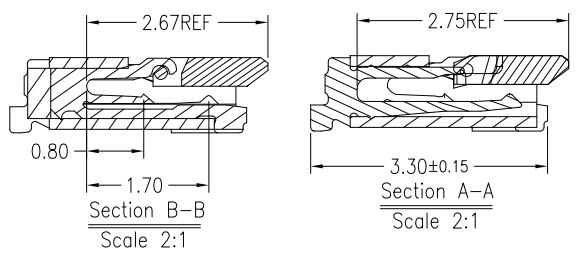


FPC/FFC Insert Direction  
Recommended P.C.B Layout



Applicable FPC

- Note:
- Material
    - 1.1: Housing: LCP UL94-V0 Color:Black.
    - 1.2: Actuator: LCP UL94-V0 Color:Black.
    - 1.3: Contact: Phosphor Bronze.
    - 1.4: LEG: Phosphor Bronze.
  - Plating
    - 2.1: Contact: See Part Number.
    - 2.2: LEG: Matte Tin Plating Over Nickel.
  - Rating:
    - 3.1: Operating Voltage: 30V AC/DC.
    - 3.2: Current Rating: 0.2A AC/DC.
    - 3.3: Operating Temperature: -55°C~+85°C.
  - Part Number:
    - DF01-SE x 0 xx x H 03R



- R: TAPE&REEL
- E: TUBE
- PIN NO.
- PLATING: O: GOLD FLASH
- COLOR: B: BLACK, N: NATURAL

Number of Contacts	Dimension				
	A	B	C	D	E
13	5.40	3.00	3.60	4.30	4.90
15	6.00	3.60	4.20	4.90	5.50
17	6.60	4.20	4.80	5.50	6.10
19	7.20	4.80	5.40	6.10	6.70
21	7.80	5.40	6.00	6.70	7.30
23	8.40	6.00	6.60	7.30	7.90
25	9.00	6.60	7.20	7.90	8.50
27	9.60	7.20	7.80	8.50	9.10
29	10.20	7.80	8.40	9.10	9.70
31	10.80	8.40	9.00	9.70	10.30
33	11.40	9.00	9.60	10.30	10.90
35	12.00	9.60	10.20	10.90	11.50
37	12.60	10.20	10.80	11.50	12.10
39	13.20	10.80	11.40	12.10	12.70
41	13.80	11.40	12.00	12.70	13.30
45	15.00	12.60	13.20	13.90	14.50
49	16.20	13.80	14.40	15.10	15.70
51	16.80	14.40	15.00	15.70	16.30
57	18.60	16.20	16.80	17.50	18.10
61	19.80	17.40	18.00	18.70	19.30
67	21.60	19.20	19.80	20.50	21.10
71	22.80	20.40	21.00	21.70	22.30
73	23.40	21.00	21.60	22.30	22.90

**DST-conn Tech. Co., Ltd.**

COPYRIGHT RESERVED, PLEASE DO NOT COPY.

PART NAME	FPC 0.3Pitch 1.0H ZIF R/A Connector	DRAWING	Winky	DWG. No.	DF01-R	
PART NO.	DF01-SEx0xxxH03R	CHECK	Roy	REV.	A	
UNIT : mm	TOLERANCE UNLESS OTHERWISE SPECIFIED	X.X ±0.30	APPROVAL	John	DATE	2013.02.18
		X.XX ±0.20				
		X.XXX ±0.10				

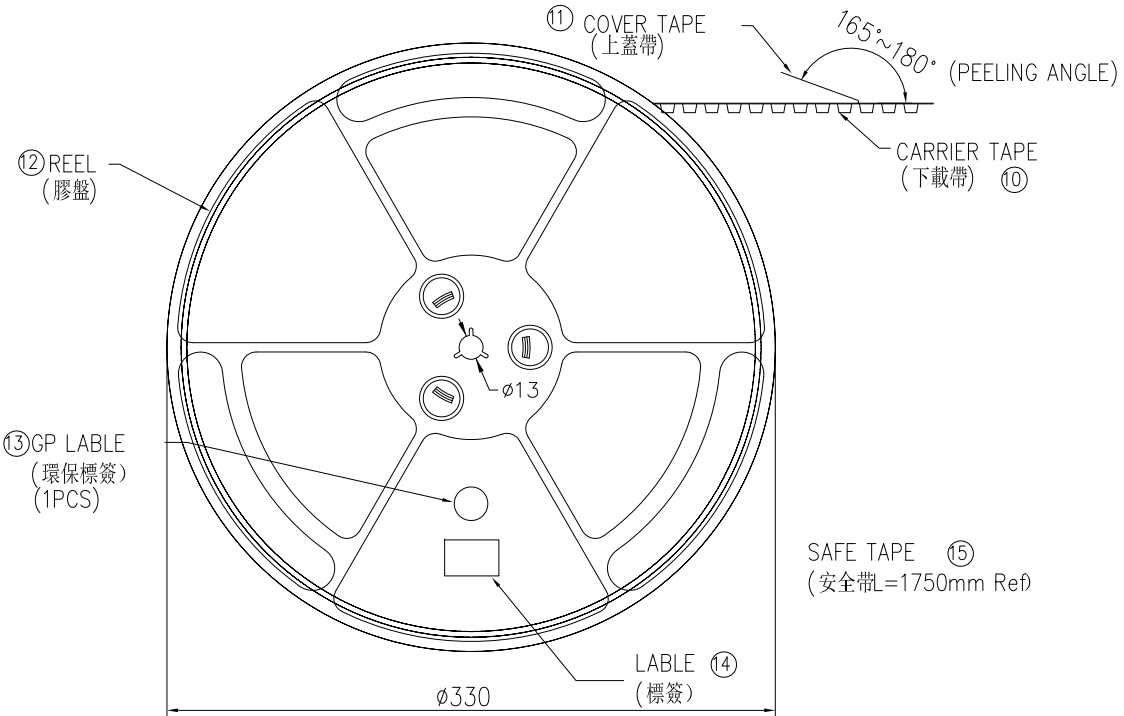
# EMBOSSED TAPE PACKING

HF Compliant

SYMBOL	REV.	REVISION	APPROVAL	DATE
	A	新版圖紙	Winky	2013.02.18

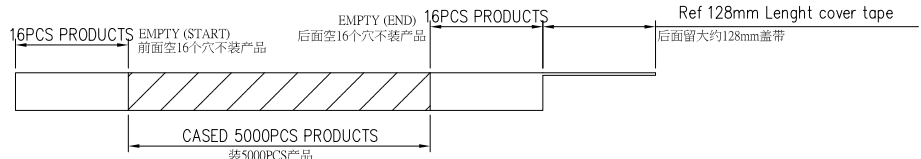
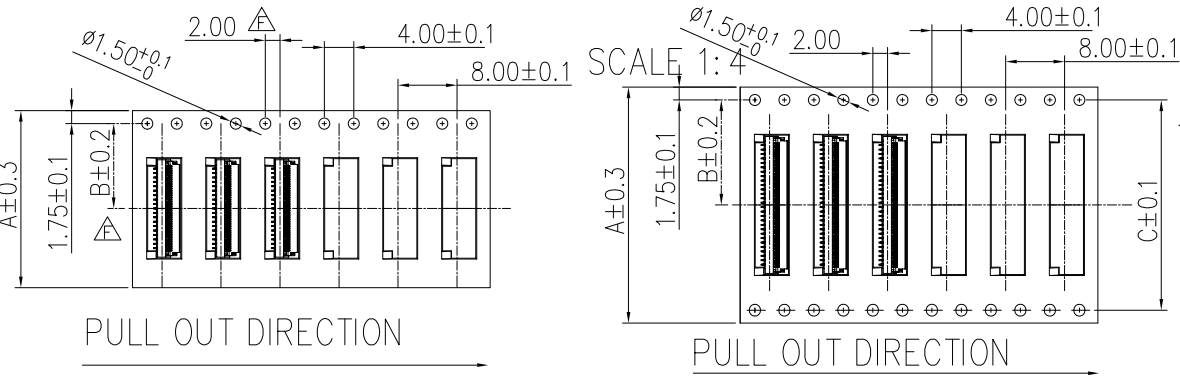
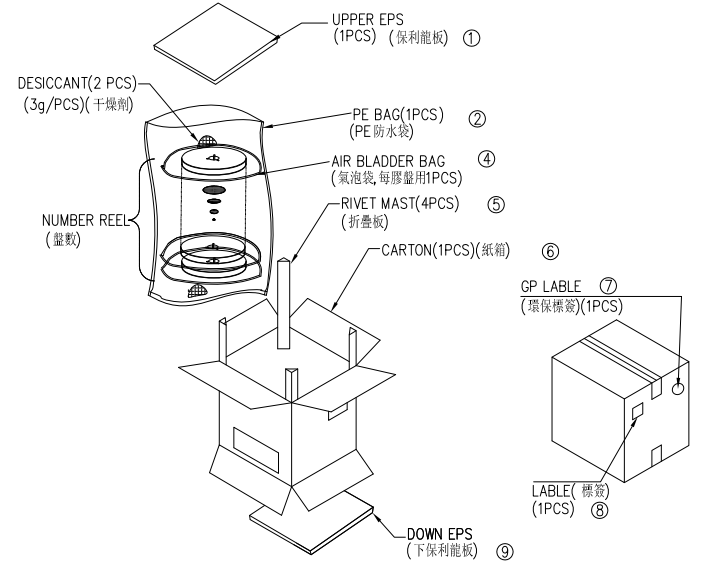
0.3mm Pitch FPC Connector, ZIF R/A SMT Type

PULL OUT DIRECTION



NOTE:

- 1.10 Sprocket hole pitch cumulative tolerance  $\pm 0.20$ .
2. Carrier camber is within 1mm in 100mm.
3. Material: black conductive polystyrene alloy.
4. Material Thickness:  $0.3 \pm 0.05$ mm.
5. All dimensions meet EIA-481-B requirements.
6. 5000pcs Pef Reel.
7. For tape width(dim W)16 and 24mm pilot holes are provided on one sides. For tape width(dim W)32, 44 and 56mm pilot holes are provided on both sides.



PIN NO.	W	A	B	C	PCS /REEL	REEL/CARTON	SUM(PCS)
13PIN~25PIN	20.5	16	7.50	-	5000	15	75000
27PIN~49PIN	28.5	24	11.5	-	5000	10	50000
51PIN~61PIN	36.5	32	14.2	28.4	5000	8	40000
67~73PIN	48.5	44	20.2	40.4	5000	6	30000

## DST-conn Tech. Co., Ltd.

PART NAME	FPC 0.3Pitch 1.0H ZIF R/A Connector	DRAWING	Winky	DWG. No.	DF01-R	
PART NO.	DF01-SEx0xxxH03R	CHECK	Roy	REV.	A	
UNIT : mm	TOLERANCE UNLESS OTHERWISE SPECIFIED	X. X ±0.30 X. XX ±0.20 X. XXX ±0.10	APPROVAL	John	DATE	2013.02.18
		ANGLE ±5°	SCALE	1:1	PAGE	2 OF 2

COPYRIGHT RESERVED, PLEASE DO NOT COPY.