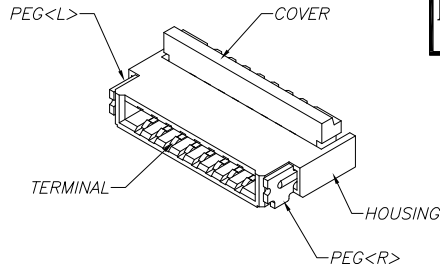
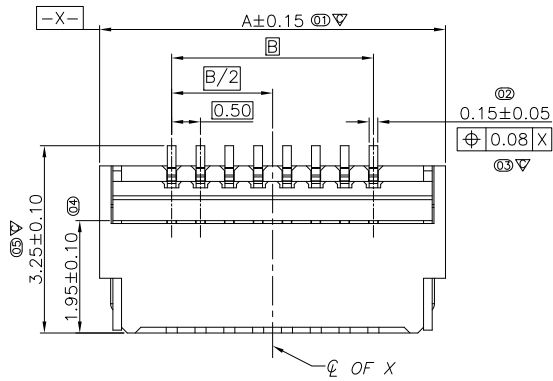


RoHS Compliant

SYMBOL	REV.	REVISION	APPROVAL	DATE
	A	新版圖紙	Winky	2014. 04. 20



- NOTE:
- FLASH NOT EXCEED 0.05mm.
 - DIM. MARKED \otimes SHOULD BE MEASURED BY FAI.
 - DIM. MARKED ∇ SHOULD BE CONTROLLED BY QC.
 - PART No: DF02-SEN x xx RL 05 S - x

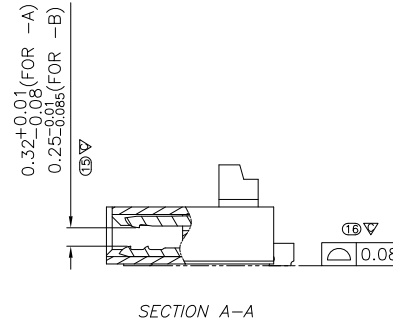
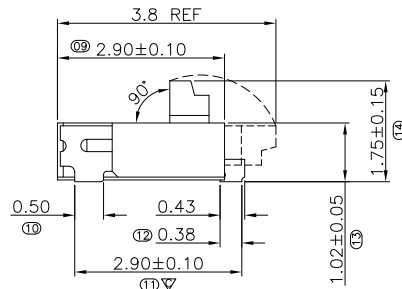
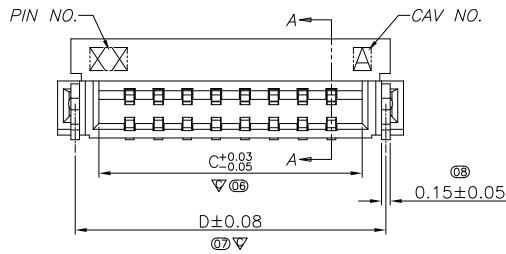
CONTACTS PLATING:

- 0: Au 1~3u"
- 1: Au 3u"
- 2: Au 5u"
- 3: Au 10u"
- 5: Au 30u"

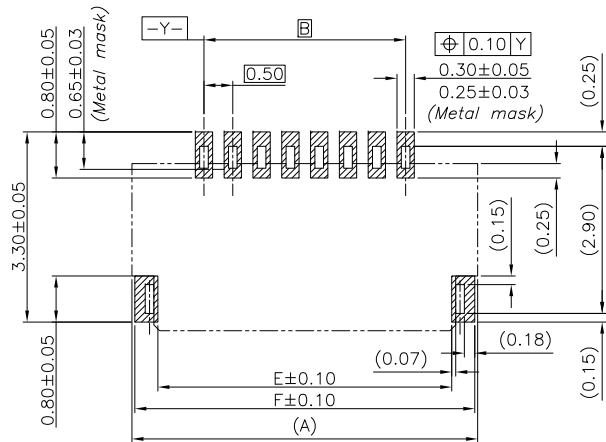
PITCH:
05: 0.50mm

PIN NO.

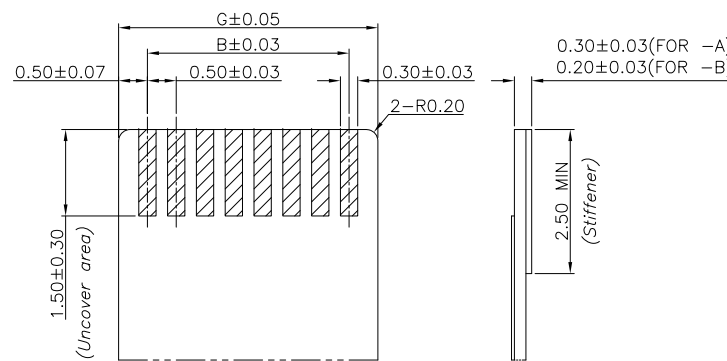
- A: CABLE T=0.30mm.
- COVER COLOR: BLACK.
- B: CABLE T=0.20mm.
- COVER COLOR: BLUE.



HOUSING	LCP	UL94 V-0, COLOR: NATURAL
COVER	LCP OR HTN OR PA9T	UL94 V-0
PEG<L>	P/B C5210-SH, T=0.15	Sn
PEG<R>	P/B C5210-SH, T=0.15	Sn
TERMINAL	P/B C5210-SH, T=0.15	CONTACT AREA: Au(SEE P/N) SOLDER AREA: Au(2.5u" MIN)
DESC.	MATERIAL	REMARKS



Recommended PCB mounting pattern and metal mask dimensions
Recommended metal mask thickness: t=0.1



Recommended FPC/FFC Dimensions

(N)	N*0.5+2.0	(N-1)*0.5	N*0.5+0.57	N*0.5+1.39	N*0.5+1.1	N*0.5+1.9	N*0.5+0.5
50	27.00	24.50	25.57	26.39	26.10	26.90	25.50
40	22.00	19.50	20.57	21.39	21.10	21.90	20.50
34	19.00	16.50	17.57	18.39	18.10	18.90	17.50
32	18.00	15.50	16.57	17.39	17.10	17.90	16.50
30	17.00	14.50	15.57	16.39	16.10	16.90	15.50
26	15.00	12.50	13.57	14.39	14.10	14.90	13.50
24	14.00	11.50	12.57	13.39	13.10	13.90	12.50
23	13.50	11.00	12.07	12.89	12.60	13.40	12.00
22	13.00	10.50	11.57	12.39	12.10	12.90	11.50
20	12.00	9.50	10.57	11.39	11.10	11.90	10.50
16	10.00	7.50	8.57	9.39	9.10	9.90	8.50
14	9.00	6.50	7.57	8.39	8.10	8.90	7.50
12	8.00	5.50	6.57	7.39	7.10	7.90	6.50
11	7.50	5.00	6.07	6.89	6.60	7.40	6.00
10	7.00	4.50	5.57	6.39	6.10	6.90	5.50
8	6.00	3.50	4.57	5.39	5.10	5.90	4.50
7	5.50	3.00	4.07	4.89	4.60	5.40	4.00
6	5.00	2.50	3.57	4.39	4.10	4.90	3.50
4	4.00	1.50	2.57	3.39	3.10	3.90	2.50
Number of Contacts	DIM A	DIM B	DIM C	DIM D	DIM E	DIM F	DIM G

DST-conn Tech. Co., Ltd.

COPYRIGHT RESERVED, PLEASE DO NOT COPY.

PART NAME	0.5P 1.0H FPC(BACK-FLIP)-ASSY	DRAWING	Winky	DWG. No.	DF02-S
PART NO.	DF02-SENxxxRL05S-x	CHECK	Roy	REV.	A
UNIT :	TOLERANCE UNLESS OTHERWISE SPECIFIED	ANGLE	John	DATE	2014. 04. 20
mm	X. X ±0.15 X. XX ±0.05 X. XXX /	±2°	SCALE	PAGE	1 OF 1