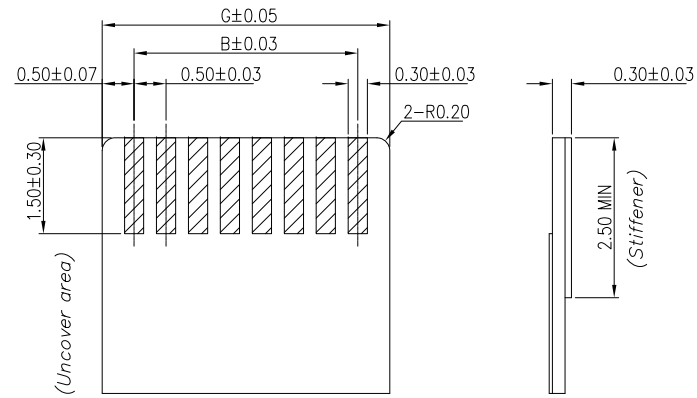
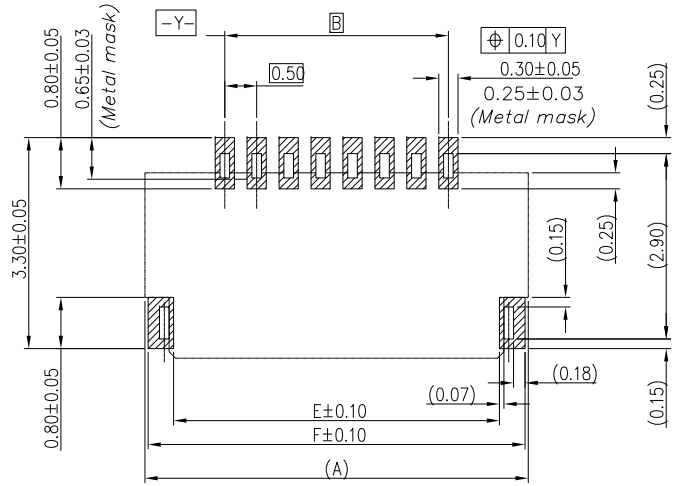
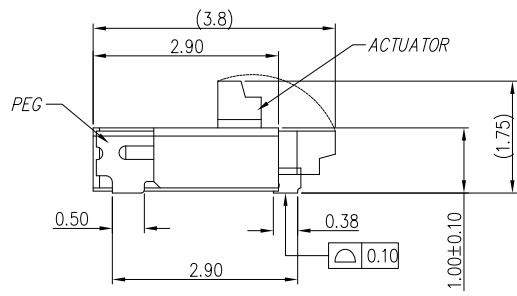
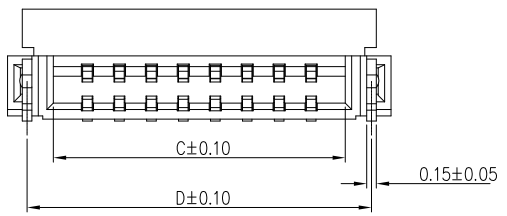
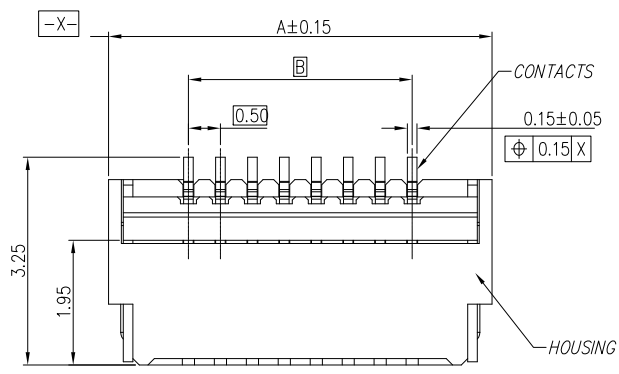


RoHS Compliant

SYMBOL	REV.	REVISION	APPROVAL	DATE
	A	新版圖紙	Winky	2013.02.27

NOTE:
 1. MATERIAL:
 HOUSING: HIGH TEMPERATURE THERMOPLASTIC(UL94V-0), COLOR: NATURAL.
 CONTACTS: COPPER ALLOY.
 PEG: COPPER ALLOY.
 ACTUATOR: HIGH TEMPERATURE THERMOPLASTIC(UL94-V0).
 2. RATING:
 OPERATING VOLTAGE: 50Vrms AC.
 CURRENT RATING: 0.5A.
 OPERATING TEMPERATURE: -55°C~+85°C.
 OPERATING HUMIDITY RANGE: RELATIVE HUMIDITY 90% MAX.(NO CONDENSATION)
 STORAGE TEMPERATURE RANGE: -10°C~+50°C.
 STORAGE HUMIDITY RANGE: RELATIVE HUMIDITY 90% MAX.(NO CONDENSATION)
 3.Pater Number:

DF02-SEN x xx x L 05 R
 05:Pitch=0.5mm
 R:Tape Reel Packing
 E:Tube Packing
 xx:NO. of contacts
 0:Gold Flash
 1:3U" AU 3:10U" AU
 2:5U" AU 4:15U" AU



Number of Contacts	DIM A	DIM B	DIM C	DIM D	DIM E	DIM F	DIM G
50	27.00	24.50	25.57	26.39	26.10	26.90	25.50
45	24.50	22.00	23.07	23.89	23.60	24.40	23.00
40	22.00	19.50	20.57	21.39	21.10	21.90	20.50
34	19.00	16.50	17.57	18.39	18.10	18.90	17.50
32	18.00	15.50	16.57	17.39	17.10	17.90	16.50
30	17.00	14.50	15.57	16.39	16.10	16.90	15.50
26	15.00	12.50	13.57	14.39	14.10	14.90	13.50
24	14.00	11.50	12.57	13.39	13.10	13.90	12.50
23	13.50	11.00	12.07	12.89	12.60	13.40	12.00
22	13.00	10.50	11.57	12.39	12.10	12.90	11.50
20	12.00	9.50	10.57	11.39	11.10	11.90	10.50
16	10.00	7.50	8.57	9.39	9.10	9.90	8.50
14	9.00	6.50	7.57	8.39	8.10	8.90	7.50
12	8.00	5.50	6.57	7.39	7.10	7.90	6.50
11	7.50	5.00	6.07	6.89	6.60	7.40	6.00
10	7.00	4.50	5.57	6.39	6.10	6.90	5.50
8	6.00	3.50	4.57	5.39	5.10	5.90	4.50
7	5.50	3.00	4.07	4.89	4.60	5.40	4.00
6	5.00	2.50	3.57	4.39	4.10	4.90	3.50
4	4.00	1.50	2.57	3.39	3.10	3.90	2.50

Recommended PCB mounting pattern and metal mask dimensions
 Recommended metal mask thickness: t=0.1

Recommended FPC/FFC Dimensions

DST-conn Tech. Co., Ltd.

COPYRIGHT RESERVED, PLEASE DO NOT COPY.

PART NAME	FPC 0.5Pitch 1.0H ZIF R/A Connector	DRAWING	Winky	DWG. No.	DF02-R
PART NO.	DF02-SENxxxxL05R	CHECK	Roy	REV.	A
UNIT : mm	TOLERANCE UNLESS OTHERWISE SPECIFIED	APPROVAL	John	DATE	2013.02.27
	X.X ±0.30 X.XX ±0.20 X.XXX ±0.10	SCALE	1:1	PAGE	1 OF 2
	ANGLE ±3°				

1

2

3

4

1

2

3

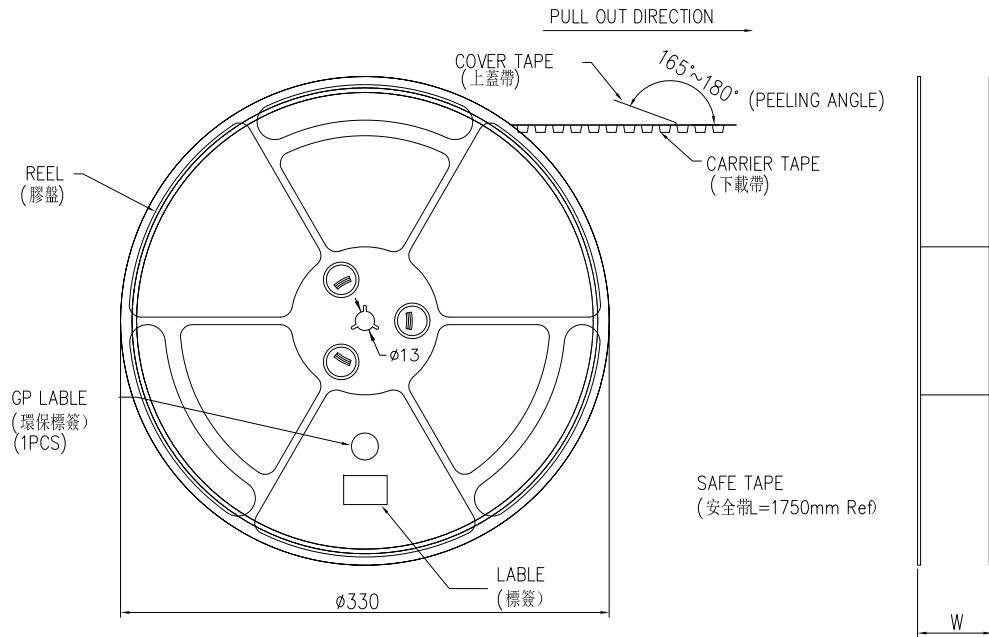
4

RoHS Compliant

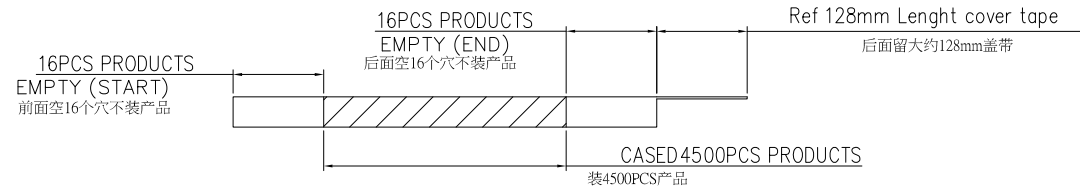
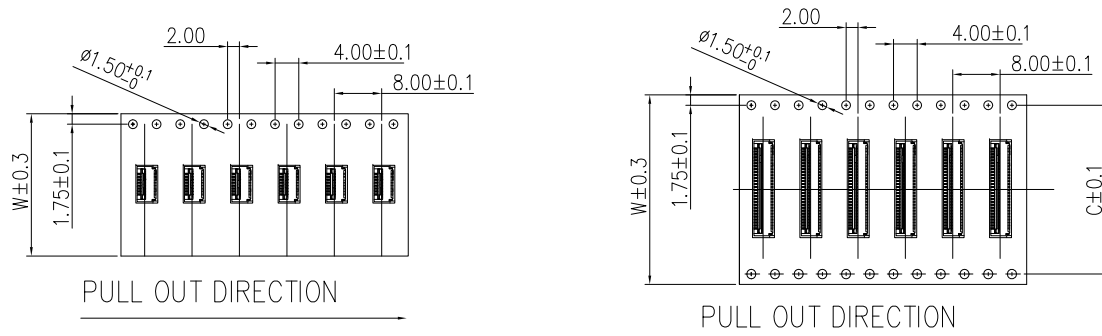
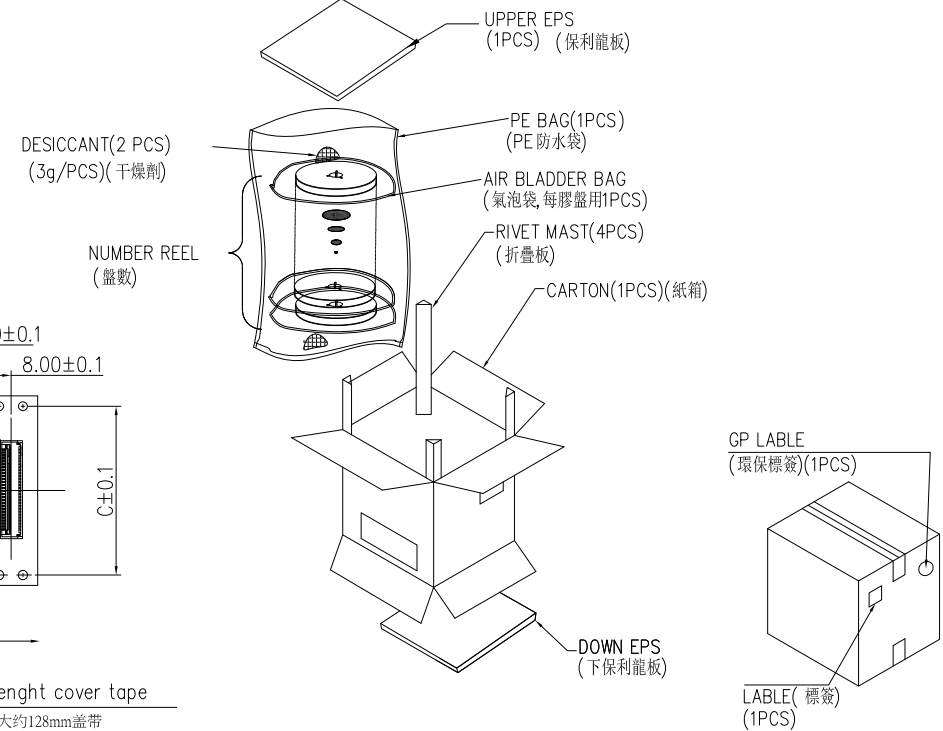
SYMBOL	REV.	REVISION	APPROVAL	DATE
	A	新版圖紙	Winky	2013.02.27

NOTE:

- 1.10 Sprocket hole pitch cumulative tolerance ± 0.20 .
2. Carrier camber is within 1mm in 100mm.
3. Material: black conductive polystyrene alloy.
4. Material Thickness: 0.3 ± 0.05 mm.
5. All dimensions meet EIA-481-B requirements.
6. 5000pcs Pef Reel.
7. For tape width(dim W)16 and 24mm pilot holes are provided on one sides.
For tape width(dim W)32, 44 and 56mm pilot holes are provided on both sides.



SCALE 1: 4



PIN NO.	W	C	PCS /REEL	REEL/CARTON	SUM(PCS)
04PIN~11PIN	16	-	4000	15	67500
12PIN~27PIN	24	-	4000	10	45000
28PIN~39PIN	32	28.4	4000	8	36000
40Pin~50PIN	44	40.4	4000	6	27000

DST-conn Tech. Co., Ltd.

COPYRIGHT RESERVED, PLEASE DO NOT COPY.

PART NAME	FPC 0.5Pitch 1.0H ZIF R/A Connector	DRAWING	Winky	DWG. No.	DF02-R
PART NO.	DF02-SENxxxxL05R	CHECK	Roy	REV.	A
UNIT : mm	TOLERANCE UNLESS OTHERWISE SPECIFIED	X.X ±0.30 X.XX ±0.20 X.XXX ±0.10	APPROVAL	DATE	2013.02.27
		ANGLE	SCALE	PAGE	2 OF 2

F E D C B A