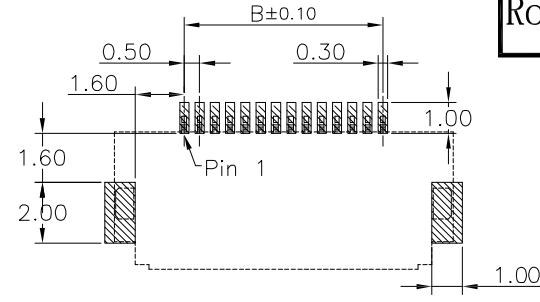
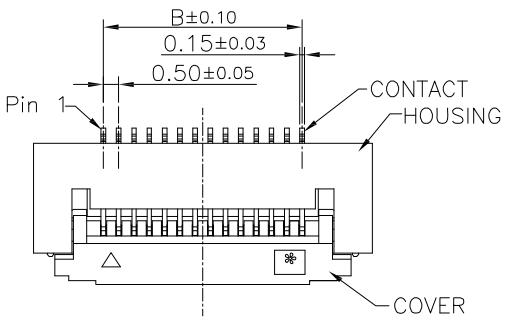


RoHS Compliant

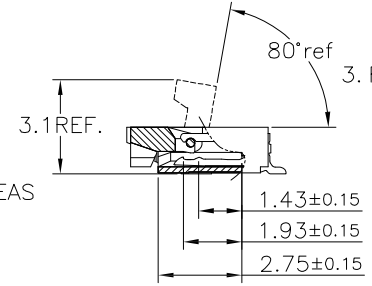
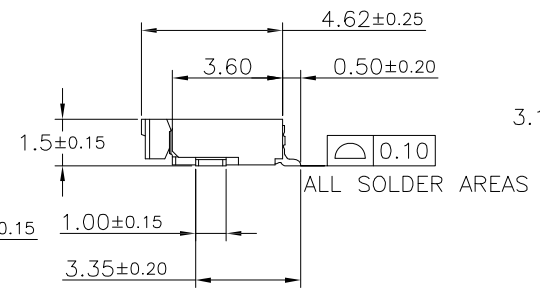
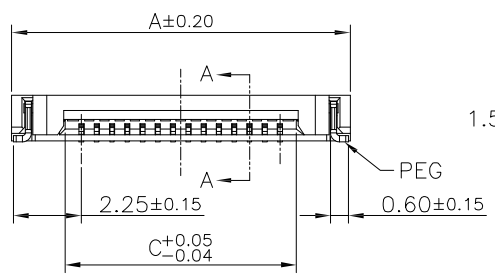
SYMBOL	REV.	REVISION	APPROVAL	DATE
	A	新版圖紙	Winky	2015. 03. 25

1



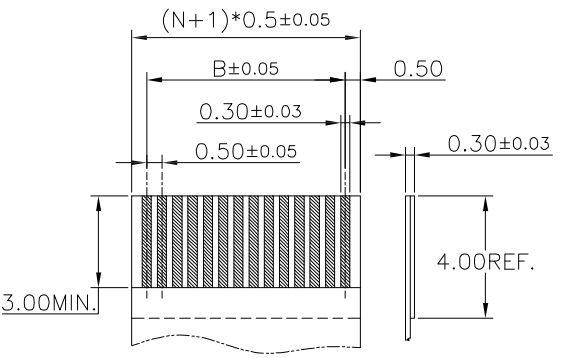
NOTES:
 1. MATERIAL:
 HOUSING: HIGHT-TEMP PLASTIC,UL 94V-0, COLOR:NATURE;
 COVER: HIGHT-TEMP PLASTIC,UL 94V-0, COLOR:BLACK;
 CONTACT: COPPER ALLOY;
 PEG: COPPER ALLOY;
 2. PLATING:
 2.1 TERMINAL CONTACT&SOLDER AREA:
 Ni:50u" MIN. NICKEL UNDERPLATING OVERALL.
 TIN:100u"~160u" MATTE TIN PLATED ON NICKEL OVERALL.
 G:GOLD(1u" MIN) FLASH PLATED SELECTIVELY.
 2.2 PEG: 100u"~160u" MATTE TIN PLATED ON NICKEL.
 50u"~100u" NICKEL OVERALL.
 3. RATING:
 CURRENT RATING: 0.5A AC/DC
 VOLTAGE RATING: 50V AC/DC
 TEMPERATURE RANGE: -40°C~+85°C;

2



SECTION A-A

3



4.PART NO.(P/N):
 DF04-SEN x xx x L05S
 PACKAGING:
 R: TAPE&REEL
 E: TUBE
 PIN NO.
 PLATING:
 O: G/F
 M: MATTE TIN OVER NICKEL

APPLICABLE FFC
 TOLERANCE:±0.05

PIN NO.	DIM. A	DIM. B	DIM. C	PIN NO.	DIM. A	DIM. B	DIM. C
04	6.10	1.50	2.57	34	21.10	16.50	17.57
05	6.60	2.00	3.07	35	21.60	17.00	18.07
06	7.10	2.50	3.57	36	22.10	17.50	18.57
07	7.60	3.00	4.07	37	22.60	18.00	19.07
08	8.10	3.50	4.57	38	23.10	18.50	19.57
09	8.60	4.00	5.07	39	23.60	19.00	20.07
10	9.10	4.50	5.57	40	24.10	19.50	20.57
11	9.60	5.00	6.07	41	24.60	20.00	21.07
12	10.10	5.50	6.57	42	25.10	20.50	21.57
13	10.60	6.00	7.07	43	25.60	21.00	22.07
15	11.60	7.00	8.07	44	26.10	21.50	22.57
16	12.10	7.50	8.57	45	26.60	22.00	23.07
17	12.60	8.00	9.07	46	27.10	22.50	23.57
18	13.10	8.50	9.57	47	27.60	23.00	24.07
19	13.60	9.00	10.07	48	28.10	23.50	24.57
20	14.10	9.50	10.57	49	28.60	24.00	25.07
21	14.60	10.00	11.07	50	29.10	24.50	25.57
22	15.10	10.50	11.57	51	29.60	25.00	26.07
23	15.60	11.00	12.07	52	30.10	25.50	26.57
24	16.10	11.50	12.57	53	30.60	26.00	27.07
25	16.60	12.00	13.07	54	31.10	26.50	27.57
26	17.10	12.50	13.57	55	31.60	27.00	28.07
27	17.60	13.00	14.07	56	32.10	27.50	28.57
28	18.10	13.50	14.57	57	32.60	28.00	29.07
29	18.60	14.00	15.07	58	33.10	28.50	29.57
30	19.10	14.50	15.57	59	33.60	29.00	30.07
31	19.60	15.00	16.07	60	34.10	29.50	30.57

4

DST-conn Tech. Co., Ltd.

COPYRIGHT RESERVED, PLEASE DO NOT COPY.

PART NAME	0.5P 1.5H FPC W/COVER R/A SMT TYPE	DRAWING	Winky	DWG. No.	DF04-S	
PART NO.	DF04-SENxxxxL05S	CHECK	Roy	REV.	A	
UNIT : mm	TOLERANCE UNLESS OTHERWISE SPECIFIED	X. X ±0.25	APPROVAL	John	DATE	2015. 03. 25
		X. XX ±0.15				

F E D C B A