

RoHS Compliant
Halogen Free

SYMBOL

REV.

REVISION

APPROVAL

DATE

A

新版圖紙

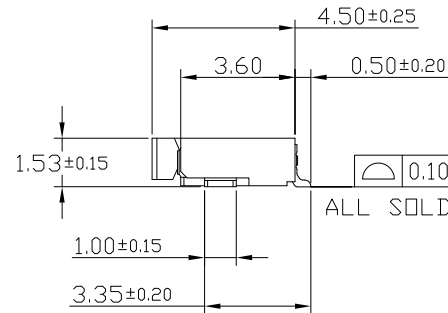
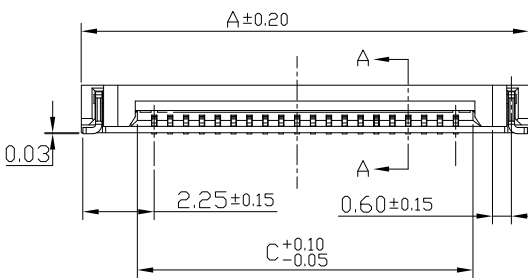
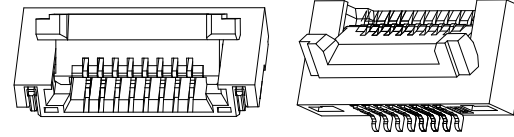
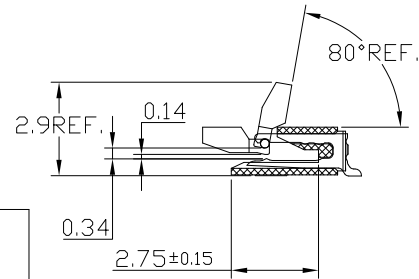
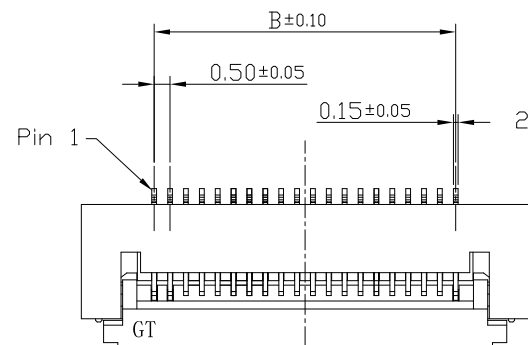
Winky

2013.05.16

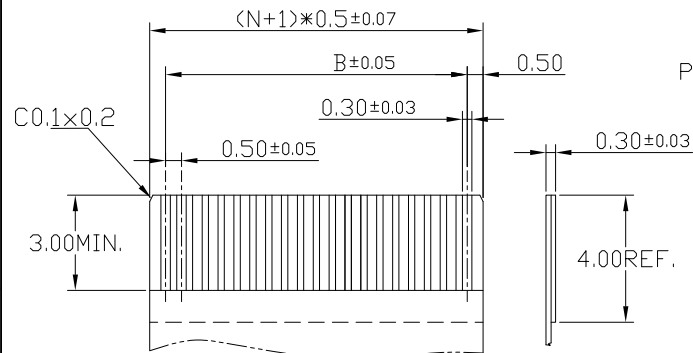
NOTES:

- MATERIAL:
HOUSING: HIGH-TEMP PLASTIC,UL 94-V0,COLOR:NATURE;
COVER: HIGH-TEMP PLASTIC,UL 94-V0,COLOR:BLACK;
CONTACT: COPPER ALLOY;
LEG: Brass;
- PLATING:
CONTACT: GOLD OR TIN PLATED ON NICKEL OVERALL.
LEG: TIN PLATED ON NICKEL OVERALL.
- RATING:
CURRENT RATING: 0.5A AC/DC
VOLTAGE RATING: 25V AC/DC
TEMPERATURE RANGE: -25°C~+85°C;
- PART NO:
DF04-SEN x xx x x 05R

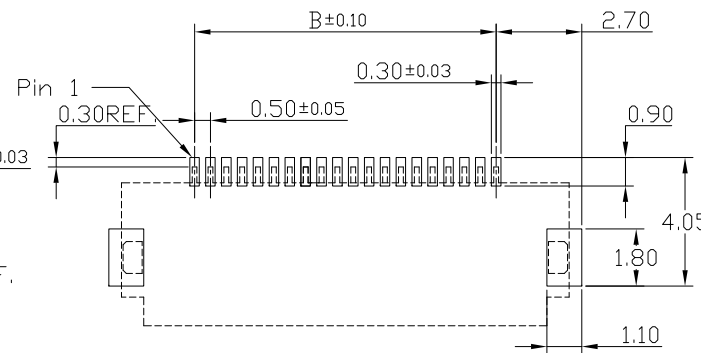
Pitch=0.5mm
L:RoHS H:Halogen Free
R: Tape Reel Packing
E: Tube Packing
xx: NO. of contacts
PLATING: S:Tin O:Gold flash



ALL SOLDER AREAS



APPLICABLE FFC
TOLERANCE:±0.05



RECOMMEND PCB LAYOUT
TOLERANCE:±0.05

PIN NO.	DIM.A	DIM.B	DIM.C	PIN NO.	DIM.A	DIM.B	DIM.C	PIN NO.	DIM.A	DIM.B	DIM.C
4	6.10	1.50	2.57	23	15.60	11.00	12.07	42	25.10	20.50	21.57
5	6.60	2.00	3.07	24	16.10	11.50	12.57	43	25.60	21.00	22.07
6	7.10	2.50	3.57	25	16.60	12.00	13.07	44	26.10	21.50	22.57
7	7.60	3.00	4.07	26	17.10	12.50	13.57	45	26.60	22.00	23.07
8	8.10	3.50	4.57	27	17.60	13.00	14.07	46	27.10	22.50	23.57
9	8.60	4.00	5.07	28	18.10	13.50	14.57	47	27.60	23.00	24.07
10	9.10	4.50	5.57	29	18.60	14.00	15.07	48	28.10	23.50	24.57
11	9.60	5.00	6.07	30	19.10	14.50	15.57	49	28.60	24.00	25.07
12	10.10	5.50	6.57	31	19.60	15.00	16.07	50	29.10	24.50	25.57
13	10.60	6.00	7.07	32	20.10	15.50	16.57	51	29.60	25.00	26.07
14	11.10	6.50	7.57	33	20.60	16.00	17.07	52	30.10	25.50	26.57
15	11.60	7.00	8.07	34	21.10	16.50	17.57	53	30.60	26.00	27.07
16	12.10	7.50	8.57	35	21.60	17.00	18.07	54	31.10	26.50	27.57
17	12.60	8.00	9.07	36	22.10	17.50	18.57	55	31.60	27.00	28.07
18	13.10	8.50	9.57	37	22.60	18.00	19.07	56	32.10	27.50	28.57
19	13.60	9.00	10.07	38	23.10	18.50	19.57	57	32.60	28.00	29.07
20	14.10	9.50	10.57	39	23.60	19.00	20.07	58	33.10	28.50	29.57
21	14.60	10.00	11.07	40	24.10	19.50	20.57	59	33.60	29.00	30.07
22	15.10	10.50	11.57	41	24.60	20.00	21.07	60	34.10	29.50	30.57

DST-conn Tech. Co., Ltd.

COPYRIGHT RESERVED, PLEASE DO NOT COPY.

PART NAME		FPC 0.5Pitch 1.5H掀盖式 connector		DRAWING		Winky		DWG. No.		DF04-R		
PART NO.		DF04-SENxxxxx05R		CHECK		Roy		REV.		A		
UNIT : mm	TOLERANCE UNLESS OTHERWISE SPECIFIED		X.X ±0.25	ANGLE ±2°	APPROVAL		John		DATE		2013.05.16	
			X.XX ±0.15		SCALE		1:1		PAGE		1 OF 1	