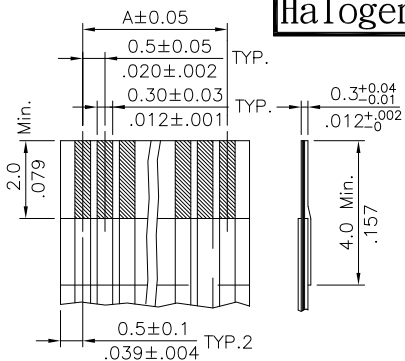
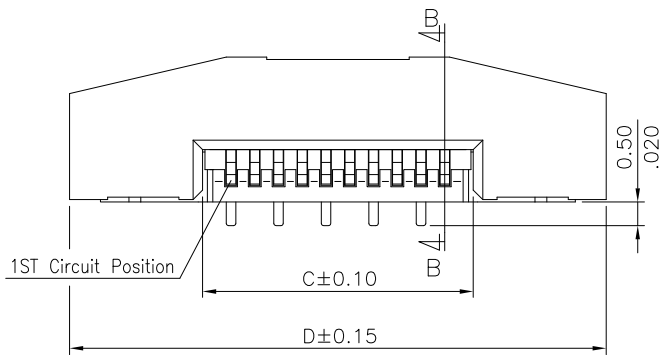
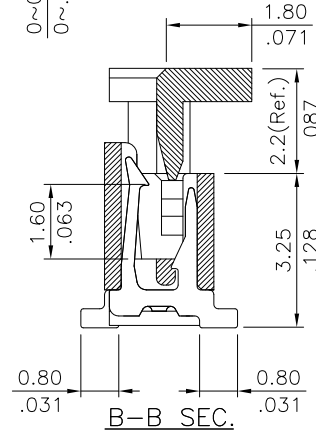
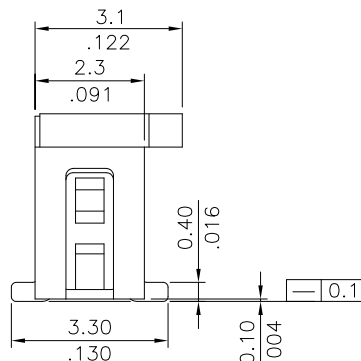


RoHS Compliant
Halogen Free

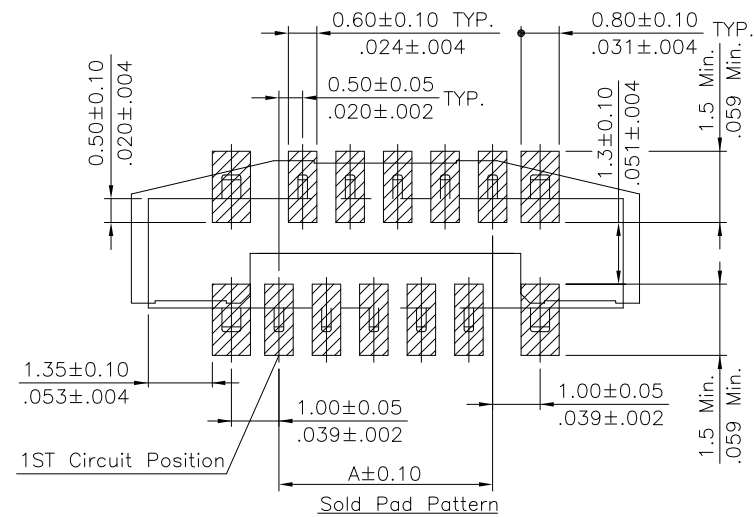
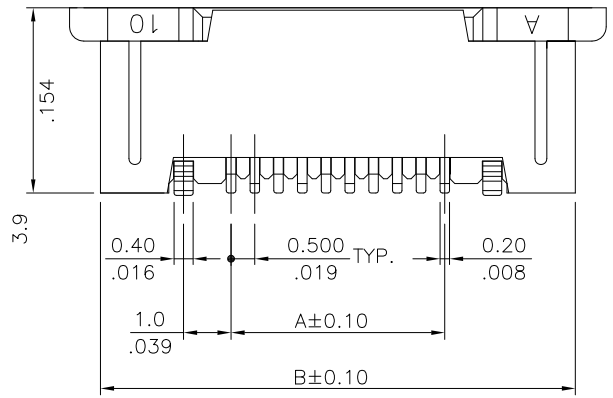
SYMBOL	REV.	REVISION	APPROVAL	DATE
	A	新版圖紙	Winky	2015. 04. 23



Accommodated FFC/FPC



- Notes :
- * Body : High temperature plastic UL 94V-0, Color Nature (Halogen-Free)
 - * Slider : High temperature plastic UL 94V-0, Color Black (Halogen-Free)
 - * Contact : Phosphor Bronze
 - * Fixed tab : Brass, With Matte Tin plated
 - * For Lead-Free IR Reflow process



A = 0.50 x No. of Spaces
 B = A + 5.5
 C = A + 1.2
 D = A + 6.8
 * Available in 4 through 50 circuits

Ordering Code:
 DF13-LEN M xx x x 05C

L: LEAD FREE
 H: HALOGEN FREE
 PACKAGING:
 R: TAPE&REEL
 E: TUBE
 PIN NO.
 PLATING:
 M: 120u" Min MATTE Tin
 over 30u" Nickel

DST-conn Tech. Co., Ltd.

COPYRIGHT RESERVED, PLEASE DO NOT COPY.

PART NAME	FPC 0.5mm ZIF FFC/FPC VERTICAL TYPE SURFACE	DRAWING	Winky	DWG. No.	DF13
PART NO.	DF13-LENMxxxx05C	CHECK	Roy	REV.	A
UNIT : mm	TOLERANCE UNLESS OTHERWISE SPECIFIED	X. X ±0.15	APPROVAL	John	DATE
		X. XX ±0.10	SCALE	1:1	PAGE
		X. XXX ±0.05			1 OF 2

F E D C B A

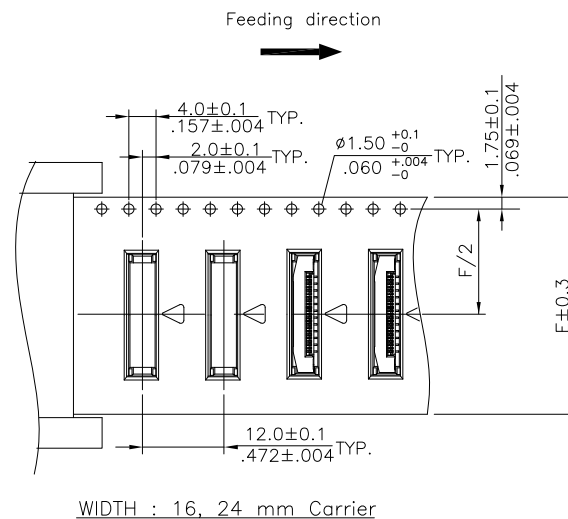
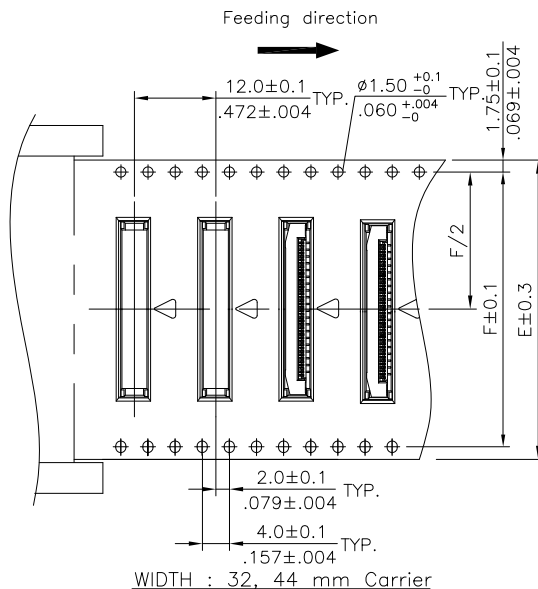
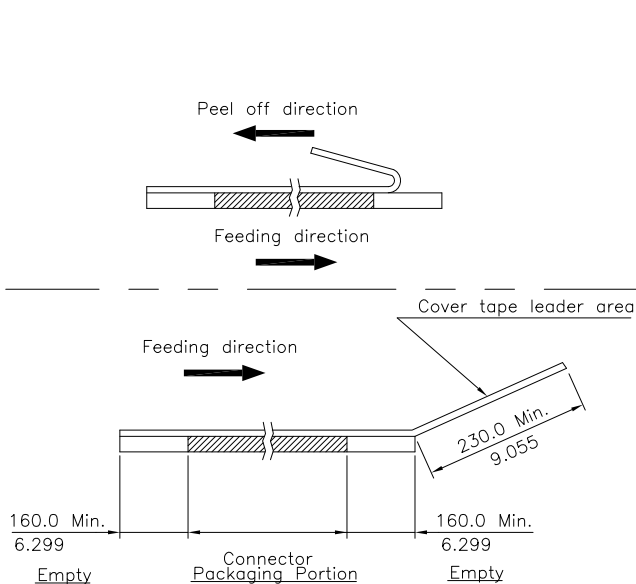
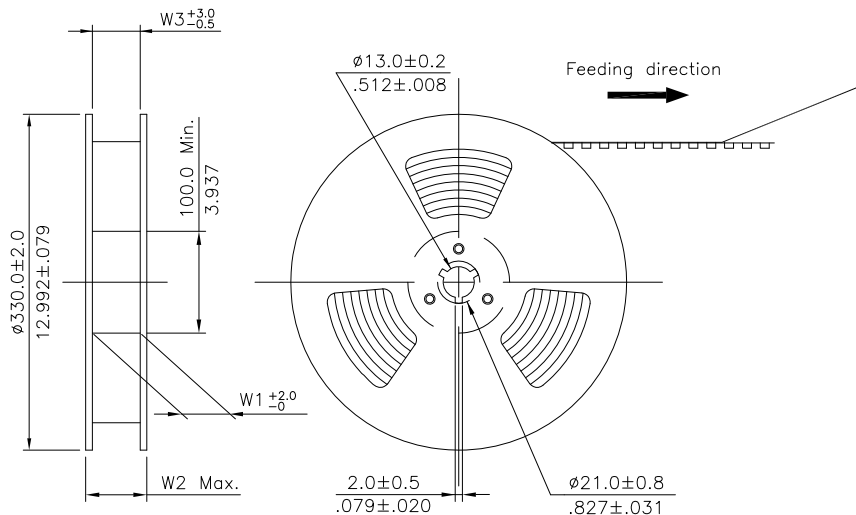
RoHS Compliant
Halogen Free

SYMBOL	REV.	REVISION	APPROVAL	DATE
	A	新版圖紙	Winky	2015. 04. 23

Circuits	Dimension					Packing (Reel/Caton)
	E	F	W1	W2	W3	
4	16.0(.630)	-	16.5(.650)	22.5(.886)	16.5(.650)	11
5-17	24.0(.945)	-	24.5(.965)	30.5(1.200)	24.5(.965)	9
18-31	32.0(1.260)	28.40(1.118)	32.5(1.280)	38.5(1.516)	32.5(1.280)	7
32-50	44.0(1.732)	40.40(1.596)	44.5(1.752)	50.5(1.988)	44.5(1.752)	5

NOTE :

- * Reel Material : Corrugated Paper
- * Carrier Material : Clear, Conductive Polystyrene Alloy
- * Cover Tape Material : Polyester
- * Cover Tape Peel Strength : 0.1N - 1.3N
- * Carrier camber is within 1mm in 100mm
- * All dimensions meet EIA-481-2 & EIA-481-3 requirements.
- * Quantity : 1000 PCS/Reel



DST-conn Tech. Co., Ltd.

COPYRIGHT RESERVED, PLEASE DO NOT COPY.

PART NAME	FPC 0.5mm ZIF FFC/FPC VERTICAL TYPE SURFACE	DRAWING	Winky	DWG. No.	DF13
PART NO.	DF13-LENMxxxx05C	CHECK	Roy	REV.	A
UNIT :	TOLERANCE UNLESS OTHERWISE SPECIFIED	APPROVAL	John	DATE	2015. 04. 23
mm	X. X ±0.15 X. XX ±0.10 X. XXX ±0.05	SCALE	1:1	PAGE	2 OF 2
	ANGLE ±2°				

F E D C B A