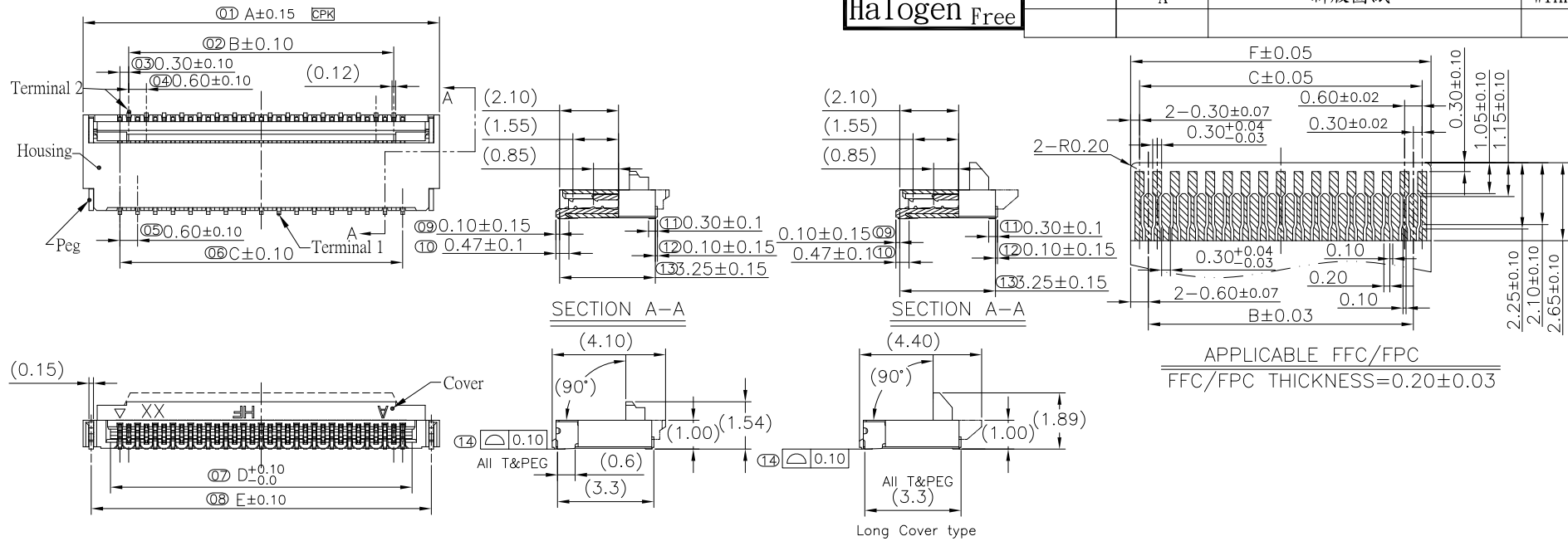
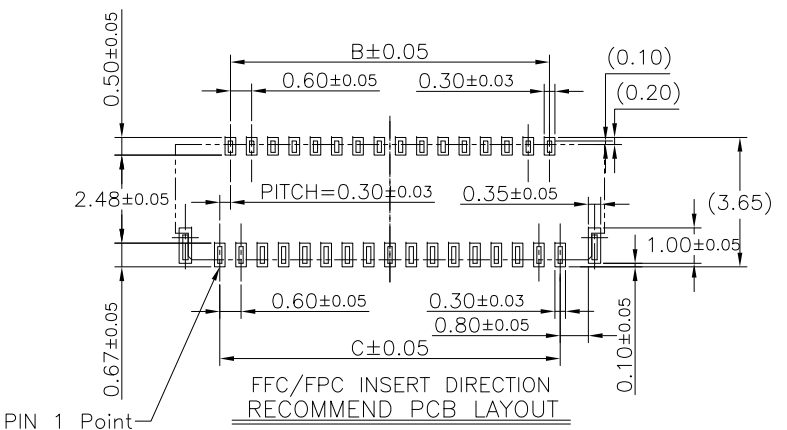


RoHS Compliant  
Halogen Free

SYMBOL	REV.	REVISION	APPROVAL	DATE
	A	新版圖紙	Winky	2011/11/30



- NOTES:
- MATERIAL:  
HOUSING: HIGH-TEMP PLASTIC,UL 94V-0,COLOR:NATURE;  
COVER: HIGH-TEMP PLASTIC,UL 94V-0,COLOR:BLACK;  
TERMINAL: COPPER ALLOY;  
PEG: ALLOY;
  - PLATING:  
TERMINAL: GOLD PLATED ON NICKEL OVERALL.  
PEG: TIN PLATED ON NICKEL OVERALL.
  - RATING:  
CURRENT RATING: 0.3A AC/DC  
VOLTAGE RATING: 30V AC/DC  
TEMPERATURE RANGE: -55°C~+85°C;
  - DIM. MARKED CPK SHOULD BE MEASURED BY CPK.
  - PART NO.(P/N.):  
DF14 - SEN x xx R H03S  
    - PACKAGING:  
R:TAPE&REEL
    - xx:PIN NO.
    - 0: GOLD FLASH OVER NICKEL
    - 1: 3u" GOLD OVER NICKEL
    - S: TIN OVER NICKEL



**DST**-conn Tech. Co., Ltd.

COPYRIGHT RESERVED, PLEASE DO NOT COPY.

PART NAME		0.3P 1.0H FPC W/COVER BACK-LOCK SMT TYPE.		DRAWING	Winky	DWG. No.	DF14-S
PART NO.		DF14-SENxxxRH03S		CHECK	Roy	REV.	A
UNIT : mm	TOLERANCE UNLESS OTHERWISE SPECIFIED	X.X ± 0.25	ANGLE ±2°	APPROVAL	John	DATE	2011/11/30
		X.XX ± 0.15		SCALE	1:1	PAGE	1 OF 3

F E D C B A

RoHS Compliant
Halogen Free

SYMBOL	REV.	REVISION	APPROVAL	DATE
	A	新版圖紙	Winky	2011/11/30

1

2

3

4

1

2

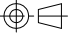
3

4

PIN NO.(N)	DIM A	DIM B	DIM C	DIM D	DIM E	DIM F	NOTES
09	4.90	1.80	2.40	3.03	4.35	3.00	Long Cover type
11	5.50	2.40	3.00	3.63	4.95	3.60	
13	6.10	3.00	3.60	4.23	5.55	4.20	
15	6.70	3.60	4.20	4.83	6.15	4.80	
17	7.30	4.20	4.80	5.43	6.75	5.40	
19	7.90	4.80	5.40	6.03	7.35	6.00	
21	8.50	5.40	6.00	6.63	7.95	6.60	
23	9.10	6.00	6.60	7.23	8.55	7.20	
25	9.70	6.60	7.20	7.83	9.15	7.80	
27	10.30	7.20	7.80	8.43	9.75	8.40	
29	10.90	7.80	8.40	9.03	10.35	9.00	
31	11.50	8.40	9.00	9.63	10.95	9.60	
33	12.10	9.00	9.60	10.23	11.55	10.20	
35	12.70	9.60	10.20	10.83	12.15	10.80	
37	13.30	10.20	10.80	11.43	12.75	11.40	
39	13.90	10.80	11.40	12.03	13.35	12.00	
41	14.50	11.40	12.00	12.63	13.95	12.60	
43	15.10	12.00	12.60	13.23	14.55	13.20	
45	15.70	12.60	13.20	13.83	15.15	13.80	
47	16.30	13.20	13.80	14.43	15.75	14.40	
49	16.90	13.80	14.40	15.03	16.35	15.00	
51	17.50	14.40	15.00	15.63	16.95	15.60	
53	18.10	15.00	15.60	16.23	17.55	16.20	
55	18.70	15.60	16.20	16.83	18.15	16.80	
57	19.30	16.20	16.80	17.43	18.75	17.40	
59	19.90	16.80	17.40	18.03	19.35	18.00	
61	20.50	17.40	18.00	18.63	19.95	18.60	
63	21.10	18.00	18.60	19.23	20.55	19.20	
65	21.70	18.60	19.20	19.83	21.15	19.80	
67	22.30	19.20	19.80	20.43	21.75	20.40	
69	22.90	19.80	20.40	21.03	22.35	21.00	
71	23.50	20.40	21.00	21.63	22.95	21.60	

# DST-conn Tech. Co., Ltd.

COPYRIGHT RESERVED, PLEASE DO NOT COPY.

PART NAME		0.3P 1.0H FPC W/COVER BACK-LOCK SMT TYPE.		DRAWING	Winky	DWG. No.	DF14-S	
PART NO.		DF14-SENxxxRH03S		CHECK	Roy	REV.	A	
	UNIT :	TOLERANCE UNLESS	X.X ± 0.25	ANGLE	APPROVAL	John	DATE	2011/11/30
	mm	OTHERWISE SPECIFIED	X.XX ± 0.15 X.XXX ± 0.05		±2°	SCALE	1:1	PAGE

F

E

D

C

B

A

RoHS Compliant  
Halogen Free

SYMBOL

REV.

REVISION

APPROVAL

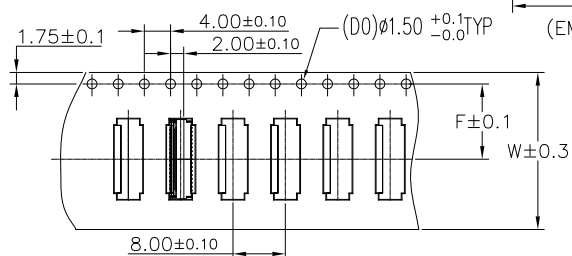
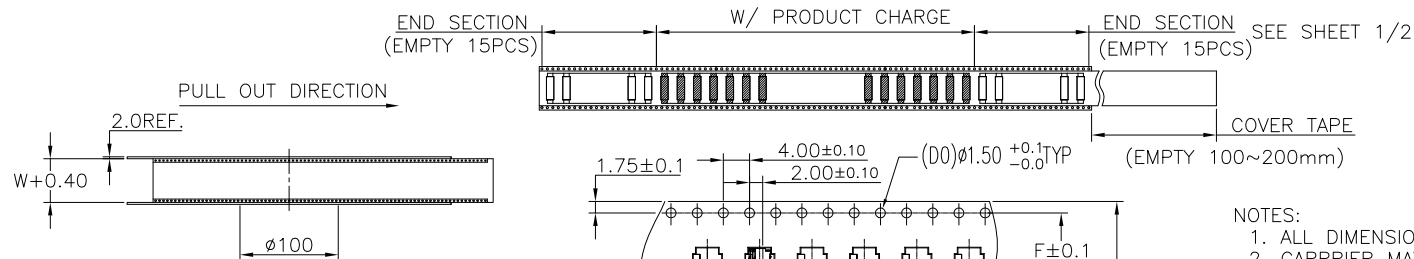
DATE

A

新版圖紙

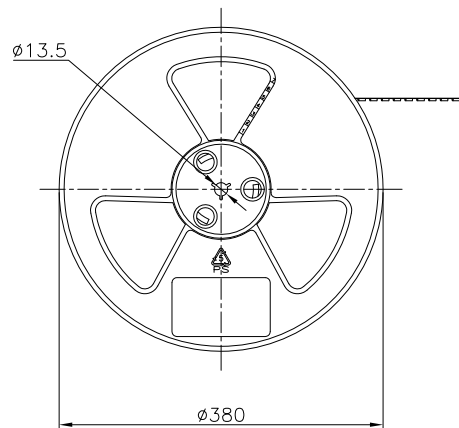
Winky

2011/11/30

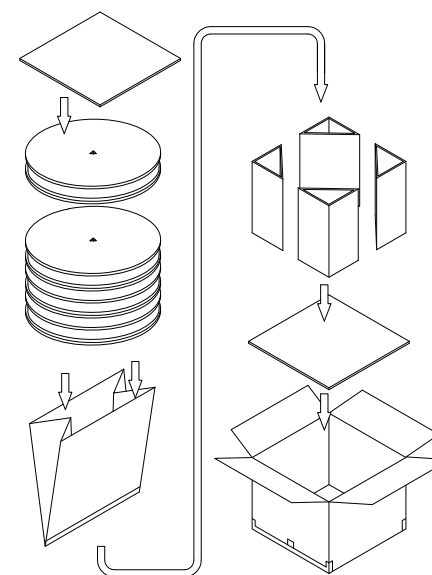
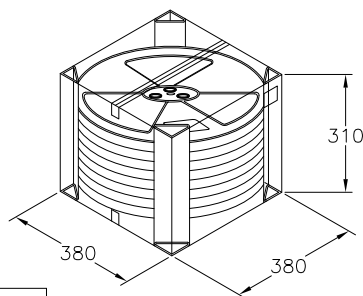
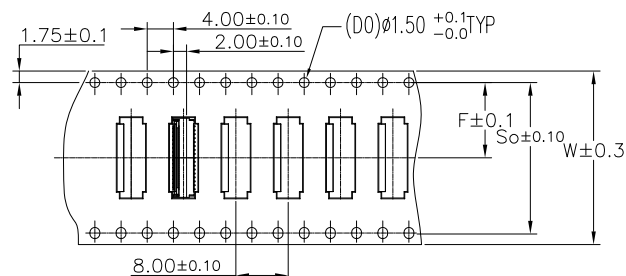


NOTES:

1. ALL DIMENSION MEET EIA-481-3 REQUIREMENTS;
2. CARRIER MATERIAL: PS, BLACK;
3. PACKING QULITY: 5000PCS/REEL;



SCALE 3:20



PACKING DISCRPTION:

PIN No.	09~39	41~51	53~71	PIN NO.	DIM W	DIM F	DIM So
REEL WIDTH	24.4	32.4	44.4				
PCS/REEL	5000	5000	5000	13~39	24.0	11.50±0.10	--
REEL/BOX	9	7	6	41~51	32.0	14.20±0.10	28.4
BOX/PCS	45K	35K	30K	53~71	44.0	20.20±0.15	40.4
CTN. SIZE	400*400*310						

# DST-conn Tech. Co., Ltd.

COPYRIGHT RESERVED, PLEASE DO NOT COPY.

PART NAME

0.3P 1.0H FPC W/COVER BACK-LOCK SMT TYPE.

DRAWING

Winky

DWG. No.

DF14-S

PART NO.

DF14-SENxxxRH03S

CHECK

Roy

REV.

A



UNIT :

mm

TOLERANCE UNLESS  
OTHERWISE SPECIFIED

X.X ± 0.25  
X.XX ± 0.15  
X.XXX ± 0.05

ANGLE

±2°

APPROVAL

John

DATE

2011/11/30

SCALE

1:1

PAGE

3 OF 3

F

E

D

C

B

A