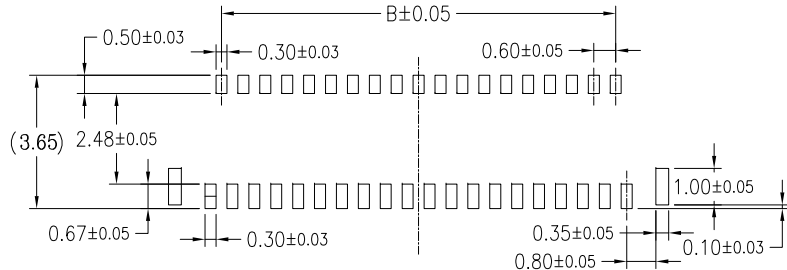
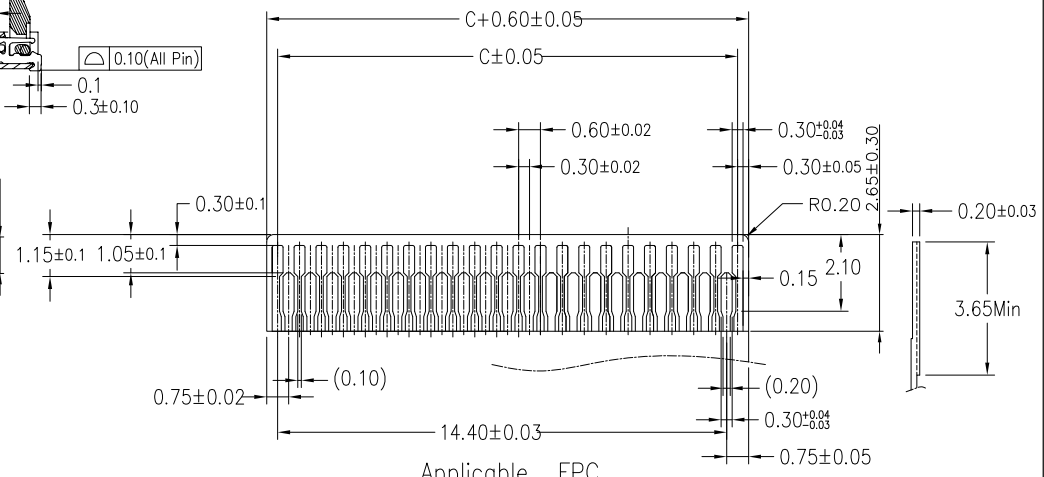
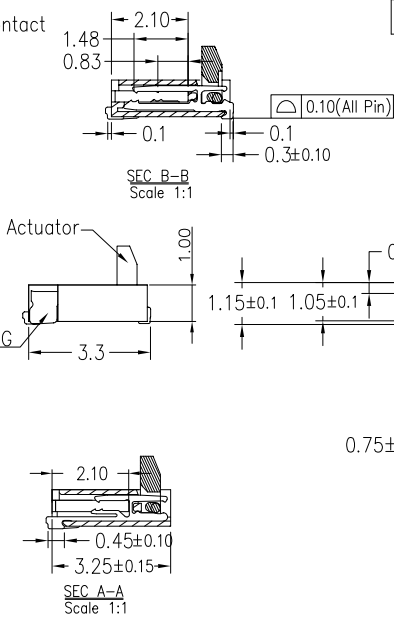
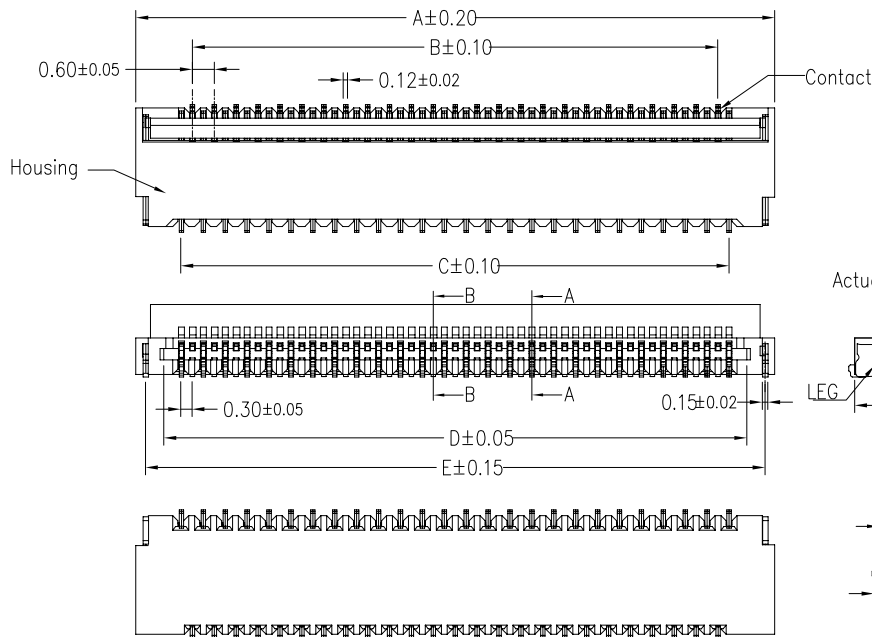
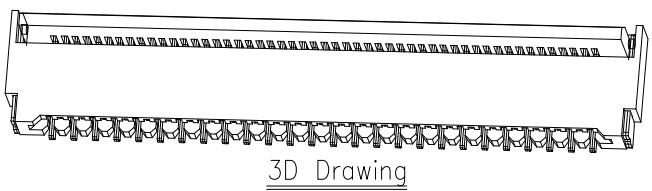


RoHS Compliant

SYMBOL	REV.	REVISION	APPROVAL	DATE
	A	新版圖紙	Winky	2015. 04. 28



FPC/FFC Insert Direction  
Recommended P.C.B Layout



3D Drawing

- Note:
- Material
    - 1.1: Housing: LCP UL94-V0 Color:Black or Natural
    - 1.2: Actuator: LCP UL94-V0 Color:Black.
    - 1.3: Contact: Phosphor Bronze.
    - 1.4: LEG: Phosphor Bronze.
  - Plating
    - 2.1: Contact: See Part Number.
    - 2.2: LEG: Matte Tin Plating Over Nickel.
  - Rating:
    - 3.1: Operating Voltage: 30V AC/DC.
    - 3.2: Current Rating: 0.2A AC/DC.
    - 3.3: Operating Temperature: -55°C~+85°C.
  - Part Number:
    - DF14-SE x 0 xx x L 03R

Pitch=0.3mm  
R: Tape Reel Packing  
E: Tube Packing  
xx: NO. of contacts  
0: GOLD FLASH  
Color: B:Black N:Natural

No. of Contacts	Dimension				
	A	B	C	D	E
13	6.10	3.00	3.60	4.23	5.57
15	6.70	3.60	4.20	4.83	6.17
17	7.30	4.20	4.80	5.43	6.77
19	7.90	4.80	5.40	6.03	7.37
21	8.50	5.40	6.00	6.63	7.97
23	9.10	6.00	6.60	7.23	8.57
25	9.70	6.60	7.20	7.83	9.17
27	10.30	7.20	7.80	8.43	9.77
29	10.90	7.80	8.40	9.03	10.37
31	11.50	8.40	9.00	9.63	10.97
33	12.10	9.00	9.60	10.23	11.57
35	12.70	9.60	10.20	10.83	12.17
37	13.30	10.20	10.80	11.43	12.77
39	13.90	10.80	11.40	12.03	13.37
41	14.50	11.40	12.00	12.63	13.97
45	15.70	12.60	13.20	13.83	15.17
49	16.90	13.80	14.40	15.03	16.37
51	17.50	14.40	15.00	15.63	16.97
57	19.30	16.20	16.80	17.43	18.77
61	20.50	17.40	18.00	18.63	19.97
67	22.30	19.20	19.80	20.43	21.77
71	23.50	20.40	21.00	21.63	22.97
73	24.10	21.00	21.60	22.23	23.57

**DST-conn Tech. Co., Ltd.**

COPYRIGHT RESERVED, PLEASE DO NOT COPY.

PART NAME	FPC 0.3Pitch 1.0H ZIF R/A Double Contact Connector	DRAWING	Winky	DWG. No.	DF14	
PART NO.	DF14-SEx0xxxL03R	CHECK	Roy	REV.	A	
UNIT : mm	TOLERANCE UNLESS OTHERWISE SPECIFIED	X.X ±0.30 X.XX ±0.20 X.XXX ±0.10	APPROVAL	John	DATE	2015. 04. 28
		ANGLE ±5°	SCALE	1:1	PAGE	1 OF 2

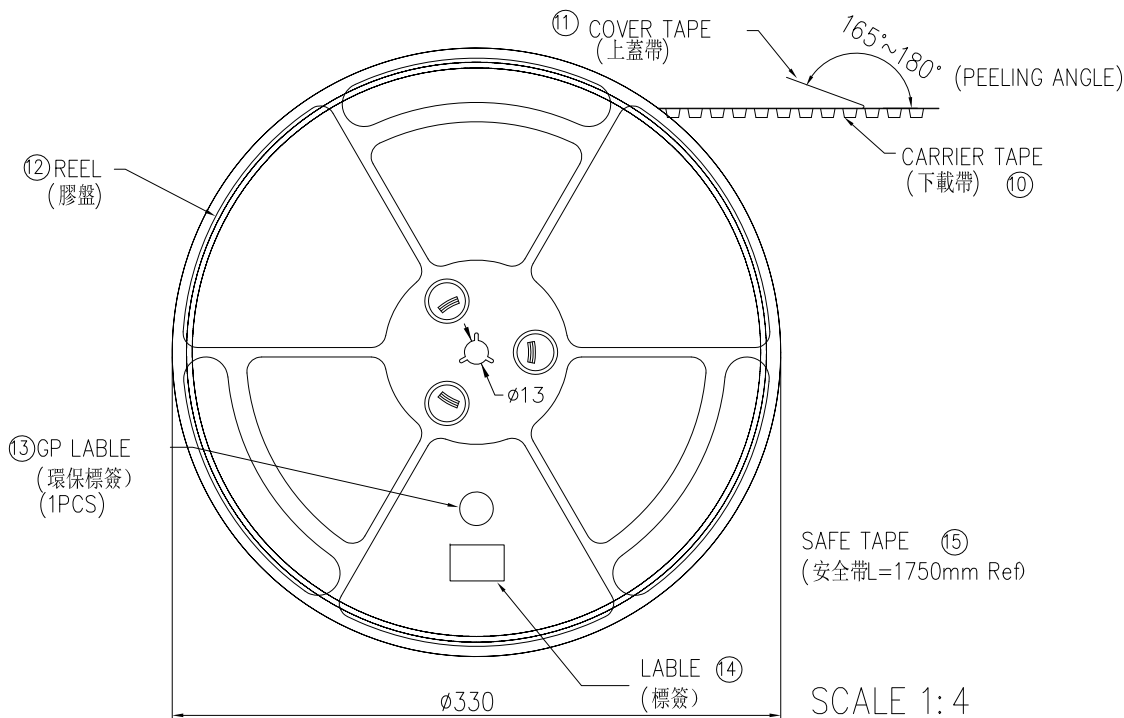
F E D C B A

RoHS Compliant

SYMBOL	REV.	REVISION	APPROVAL	DATE
	A	新版圖紙	Winky	2015. 04. 28

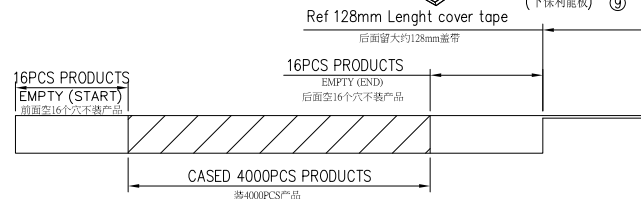
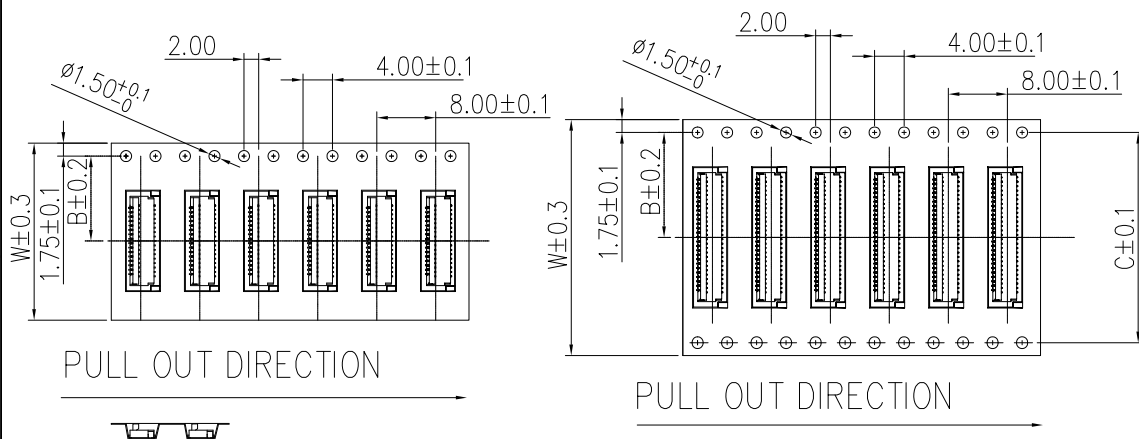
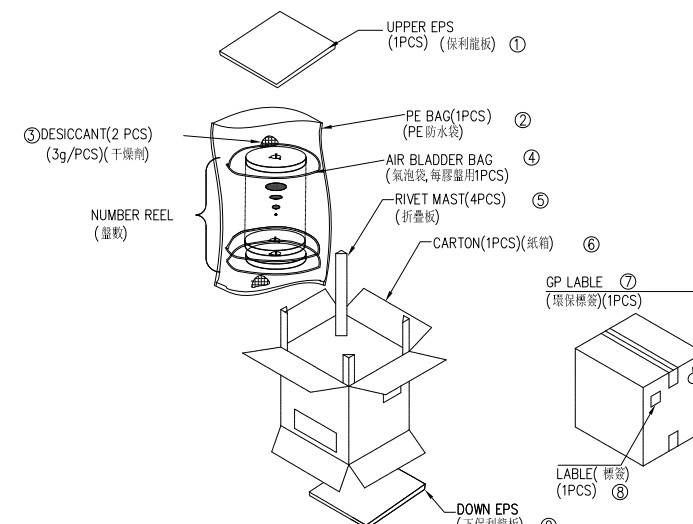
EMBOSSED TAPE PACKING

PULL OUT DIRECTION →



NOTE:

- 1.10 Sprocket hole pitch cumulative tolerance  $\pm 0.20$ .
2. Carrier camber is within 1mm in 100mm.
3. Material: black conductive polystyrene alloy.
4. Material Thickness:  $0.3 \pm 0.05$ mm.
5. All dimensions meet EIA-481-B requirements.
6. 4000pcs Pef Reel.
7. For tape width(dim W)12,16 and 24mm pilot holes are provided on one sides. For tape width(dim W)32, 44mm pilot holes are provided on both sides.



PIN NO.	W	A	B	C	PCS /REEL	REEL/CARTON	SUM(PCS)
09PIN~11PIN	12	16.5	5.50	-	4000	18	72000
13PIN~19PIN	16	20.5	7.50	-	4000	15	30000
21PIN~45PIN	24	28.5	11.5	-	4000	10	40000
49PIN~67PIN	32	36.5	14.2	28.4	4000	8	32000
71~73PIN	44	48.5	20.2	40.4	4000	6	24000

**DST-conn Tech. Co., Ltd.**

PART NAME	FPC 0.3Pitch 1.0H ZIF R/A Double Contact Connector	DRAWING	Winky	DWG. No.	DF14	
PART NO.	DF14-SEx0xxxL03R	CHECK	Roy	REV.	A	
UNIT : mm	TOLERANCE UNLESS OTHERWISE SPECIFIED	X. X $\pm 0.30$ X. XX $\pm 0.20$ X. XXX $\pm 0.10$	APPROVAL	John	DATE	2015. 04. 28
		ANGLE $\pm 5^\circ$	SCALE	1:1	PAGE	2 OF 2

COPYRIGHT RESERVED, PLEASE DO NOT COPY.