

RoHS Compliant
Halogen Free

SYMBOL

REV.

REVISION

APPROVAL

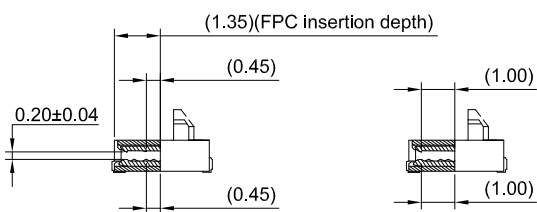
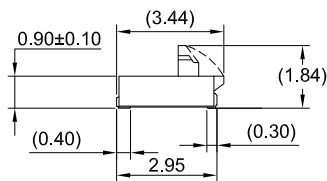
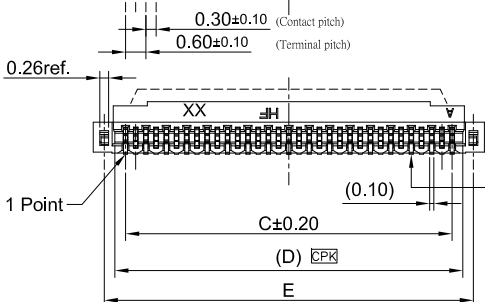
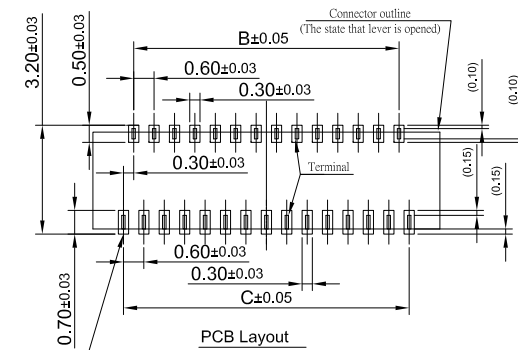
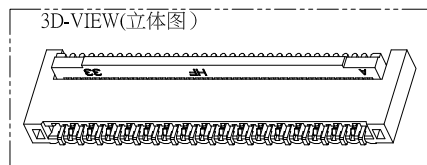
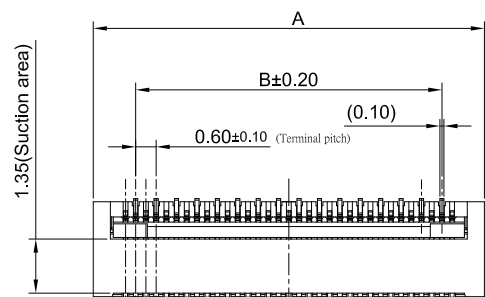
DATE

A

新版圖紙

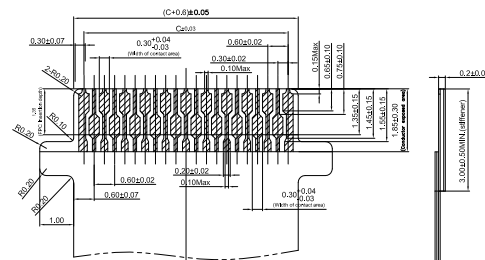
Winky

2012/05/26

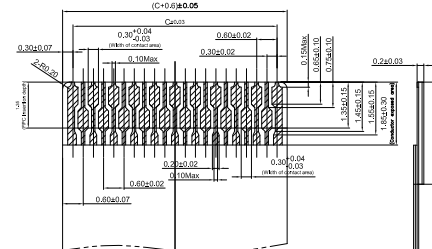


Odd Contact

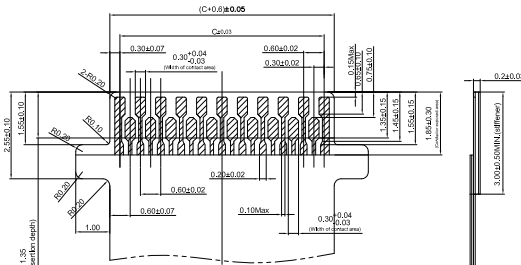
Even Contact



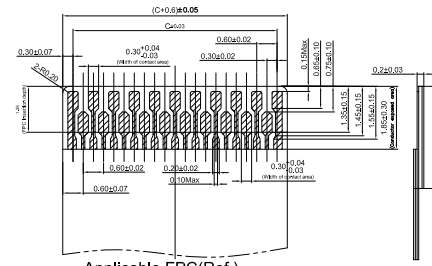
With insertion confirming tabs and lead platings



Without insertion confirming tabs and lead platings



With insertion confirming tabs but lead platings



Without insertion confirming tabs but lead platings

PIN NO.(N)	DIM A	DIM B	DIM C	DIM D	DIM E
07	3.70	1.20	1.80	2.43	3.05
09	4.30	1.80	2.40	3.03	3.65
11	4.90	2.40	3.00	3.63	4.25
13	5.50	3.00	3.60	4.23	4.85
15	6.10	3.60	4.20	4.83	5.45
17	6.70	4.20	4.80	5.43	6.05
19	7.30	4.80	5.40	6.03	6.65
21	7.90	5.40	6.00	6.63	7.25
23	8.50	6.00	6.60	7.23	7.85
25	9.10	6.60	7.20	7.83	8.45
27	9.70	7.20	7.80	8.43	9.05
29	10.30	7.80	8.40	9.03	9.65
31	10.90	8.40	9.00	9.63	10.25
33	11.50	9.00	9.60	10.23	10.85
35	12.10	9.60	10.20	10.83	11.45
37	12.70	10.20	10.80	11.43	12.05
39	13.30	10.80	11.40	12.03	12.65
41	13.90	11.40	12.00	12.63	13.25
43	14.50	12.00	12.60	13.23	13.85
45	15.10	12.60	13.20	13.83	14.45
47	15.70	13.20	13.80	14.43	15.05
49	16.30	13.80	14.40	15.03	15.65
51	16.90	14.40	15.00	15.63	16.25
53	17.50	15.00	15.60	16.23	16.85
55	18.10	15.60	16.20	16.83	17.45
57	18.70	16.20	16.80	17.43	18.05
59	19.30	16.80	17.40	18.03	18.65
61	19.90	17.40	18.00	18.63	19.25
63	20.50	18.00	18.60	19.23	19.85
65	21.10	18.60	19.20	19.83	20.45
67	21.70	19.20	19.80	20.43	21.05
69	22.30	19.80	20.40	21.03	21.65
71	22.90	20.40	21.00	21.63	22.25

NOTE:

- MATERIAL:
HOUSING: LCP,UL 94V-0,COLOR:BLACK;
COVER:PA,UL 94HB,COLOR:NATURE OR BROWN
TERMINAL: C5210,T=0.12;
- PLATING:
TERMINAL: (SEE P/N, INFORMATION) GOLD
UNDER PLATED NICKEL OVERALL.
- TERMINAL RETENTION FORCE:0.050Kgf(0.50N)Min.;
- PART NO.(P/N.):
DF15 - SEB x xx R H03S

PACKAGING:
R:TAPE REEL
xx:PIN NO.(N)

0: 1.5u"GOLD OVER NICKEL(60u"-160u")
1: 2.5u"GOLD OVER NICKEL(60u"-160u")

DST-conn Tech. Co., Ltd.

PART NAME	0.3P 0.9H FPC W/COVER BACK-LOCK SMT TYPE.	DRAWING	Winky	DWG. No.	DF15-S
PART NO.	DF15-SEBxxxRH03S	CHECK	Roy	REV.	A
UNIT : mm	TOLERANCE UNLESS OTHERWISE SPECIFIED	X.X ±0.30 X.XX ±0.30 X.XXX ±0.30	APPROVAL	DATE	2012/05/26
		ANGLE ±2°	SCALE	PAGE	1 OF 2

COPYRIGHT RESERVED, PLEASE DO NOT COPY.

RoHS Compliant
Halogen Free

SYMBOL

REV.

REVISION

APPROVAL

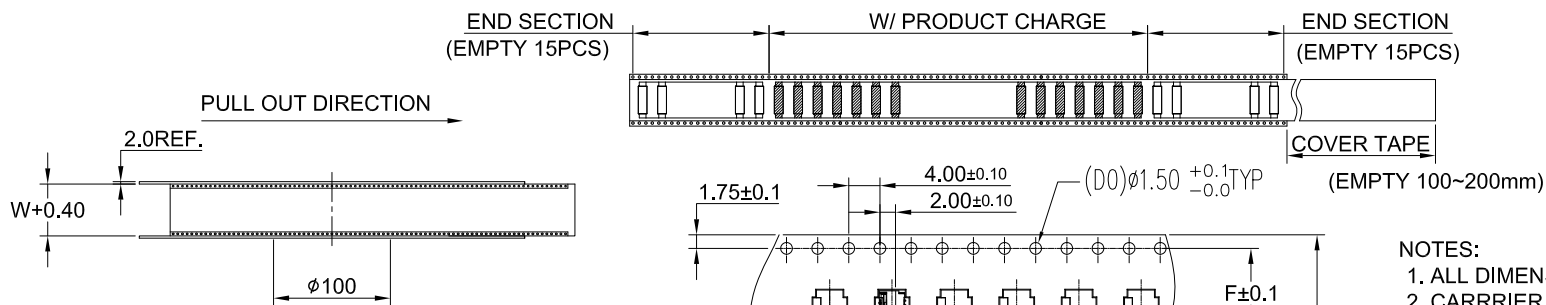
DATE

A

新版圖紙

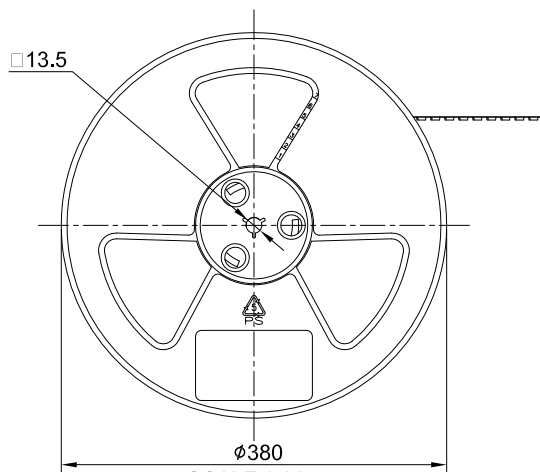
Winky

2012/05/26



NOTES:

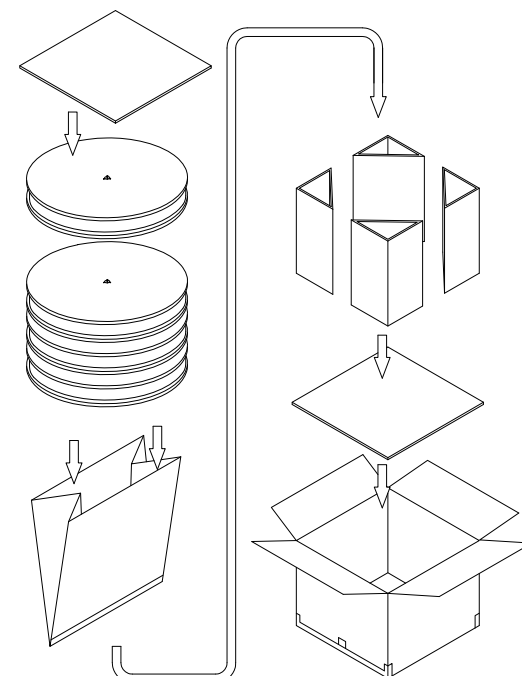
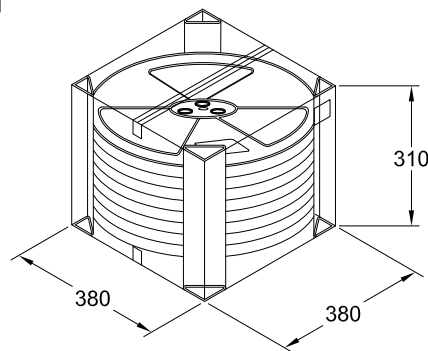
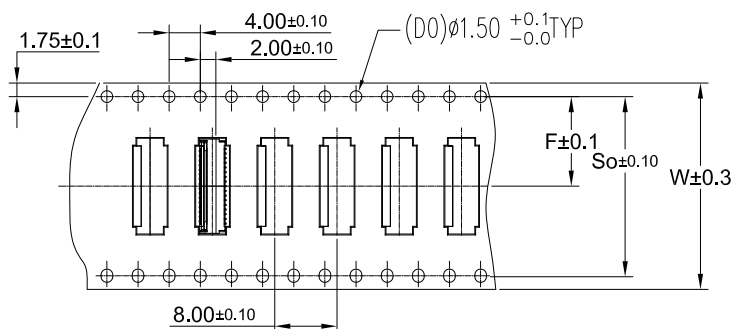
1. ALL DIMENSION MEET EIA-481-3 REQUIREMENTS;
2. CARRIER MATERIAL: PS, BLACK;
3. PACKING QUALITY: 5000PCS/REEL;



SCALE 3:20

PACKING DISCRIPTION:

PIN No.	09~17	19~47	49~71				
REEL WIDTH	16.4	24.4	32.4				
PCS/REEL	5000	5000	5000	PIN NO.	DIM W	DIM F	DIM So
REEL/BOX	12	9	7	09~17	16.0	7.50±0.10	--
BOX/PCS	60K	45K	35K	19~47	24.0	11.50±0.10	--
CTN. SIZE	400*400*310			49~71	32.0	14.20±0.10	28.4



DST-conn Tech. Co., Ltd.

COPYRIGHT RESERVED, PLEASE DO NOT COPY.

PART NAME	0.3P 0.9H FPC W/COVER BACK-LOCK SMT TYPE.	DRAWING	Winky	DWG. No.	DF15-S	
PART NO.	DF15-SEBxxxRH03S	CHECK	Roy	REV.	A	
UNIT : mm	TOLERANCE UNLESS OTHERWISE SPECIFIED	X. X ±0.25	APPROVAL	John	DATE	2012/05/26
		X. XX ±0.15			PAGE	2 OF 2
		X. XXX ±0.10	SCALE	1:1		
		ANGLE ±2°				