

F E D C B A

RoHS Compliant

SYMBOL	REV.	REVISION	APPROVAL	DATE
	A	新版圖紙	Winky	2010. 03. 05

ORDERING CODE

DF17-S M B x xx x L 10 J

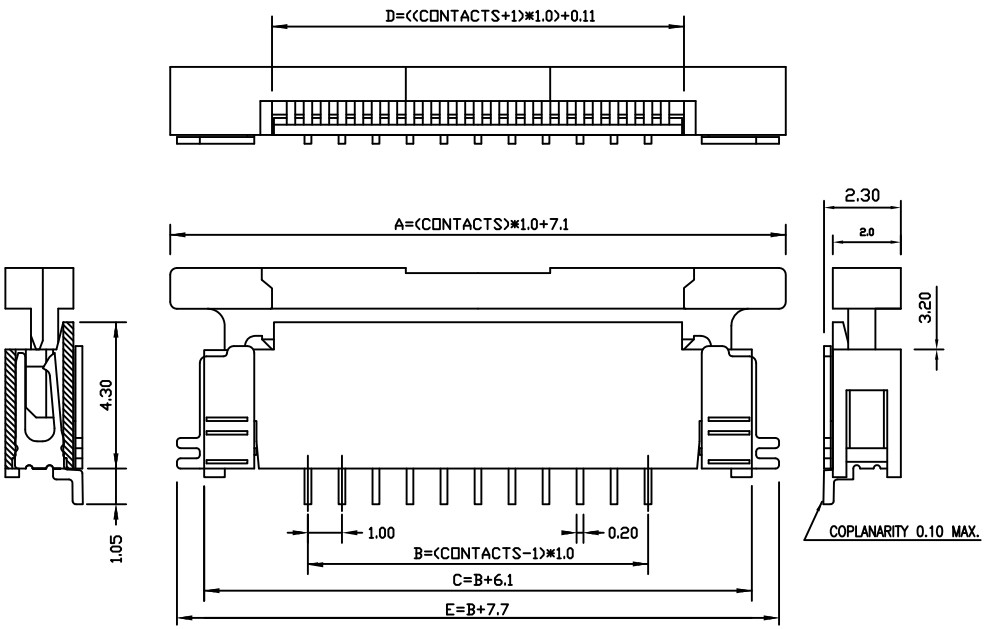
PITCH 1.0mm

PACKING TYPE
E:TUBE R:REEL

NO. OF CONTACTS
xx:03-30 PIN

PLANTING:
0: GOLD FLASH
1: Au 3u"
2: Au 5u"
M: MATTE TIN 100u" MIN, OVER
50u" MIN NI ON CONTACT

HOUSING & ACTUATOR MATERIALS:
M: HOUSING PA46, ACTUATOR PPS
(BLACK)UL 94V-0

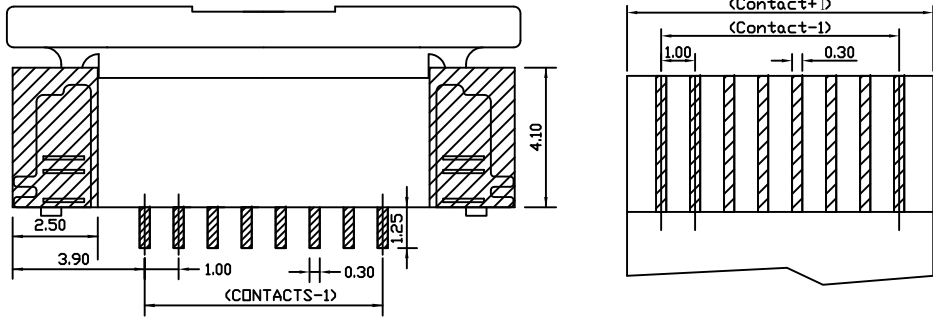


FEATURE AND SPECIFICATIONS

FDR 0.3mm THICKNESS FFC/FPC.
VOLTAGE:50V MAX.
CURRENT:0.5A MAX.
CONTACT RESISTANCE:20 milliohms MAX.
INSULATION RESISTANCE:50 Megohms MIN.
DIELECTRIC WITHSTANDING VOLTAGE:250V AC.
TEMPERATURE:-40°C TO 85°C

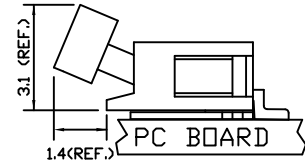
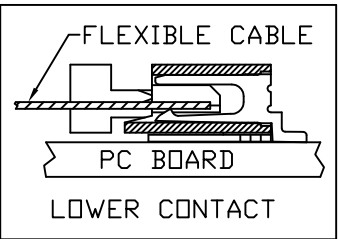
MATERIAL AND FINISH
HOUSING:HIGH-TEMP. THERMOPLASTIC. UL 94V-0.
ACTUATOR:HIGH-TEMP. THERMOPLASTIC. UL 94V-0.
CONTACT:SEE ORDERING CODE
HOLDDOWN:BRASS. PLATING: Tin 100u", over Ni 50u"

PIN	A	B	C	D	E
3	10.10	2.00	8.10	4.11	9.70
4	11.10	3.00	9.10	5.11	10.70
5	12.10	4.00	10.10	6.11	11.70
6	13.10	5.00	11.10	7.11	12.70
7	14.10	6.00	12.10	8.11	13.70
8	15.10	7.00	13.10	9.11	14.70
9	16.10	8.00	14.10	10.11	15.70
10	17.10	9.00	15.10	11.11	16.70
11	18.10	10.00	16.10	12.11	17.70
12	19.10	11.00	17.10	13.11	18.70
13	20.10	12.00	18.10	14.11	19.70
14	21.10	13.00	19.10	15.11	20.70
15	22.10	14.00	20.10	16.11	21.70
16	23.10	15.00	21.10	17.11	22.70
17	24.10	16.00	22.10	18.11	23.70
18	25.10	17.00	23.10	19.11	24.70
19	26.10	18.00	24.10	20.11	25.70
20	27.10	19.00	25.10	21.11	26.70
21	28.10	20.00	26.10	22.11	27.70
22	29.10	21.00	27.10	23.11	28.70
23	30.10	22.00	28.10	24.11	29.70
24	31.10	23.00	29.10	25.11	30.70
25	32.10	24.00	30.10	26.11	31.70
26	33.10	25.00	31.10	27.11	32.70
27	34.10	26.00	32.10	28.11	33.70
28	35.10	27.00	33.10	29.11	34.70
29	36.10	28.00	34.10	30.11	35.70
30	37.10	29.00	35.10	31.11	36.70



RECOMMENDED PCB LAYOUT

FFC/FPC DIMENSION THICKNESS 0.30 mm



DST-conn Tech. Co., Ltd.

COPYRIGHT RESERVED, PLEASE DO NOT COPY.

	PART NAME	ZIF FPC 1.0mm SMT CONN. HORIZONTAL LOWER CONTACT TYPE	DRAWING	Winky	DWG. No.	DF17
	PART NO.	DF17-SMBxxxxL10J	CHECK	Roy	REV.	A
	UNIT : mm	TOLERANCE UNLESS OTHERWISE SPECIFIED	ANGLE	John	DATE	2010. 03. 05
		X. X ±0.20 X. XX ±0.15 X. XXX ±0.10	±2°	SCALE	1:1	PAGE

F E D C B A