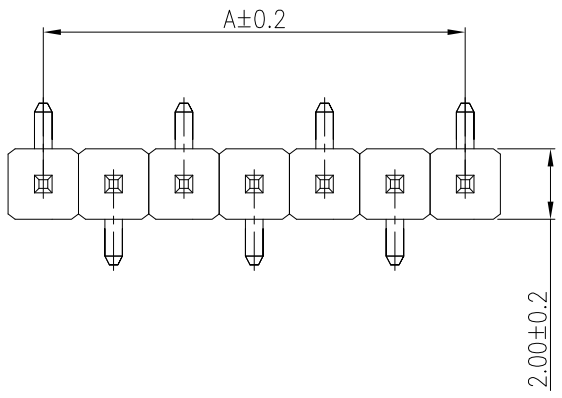


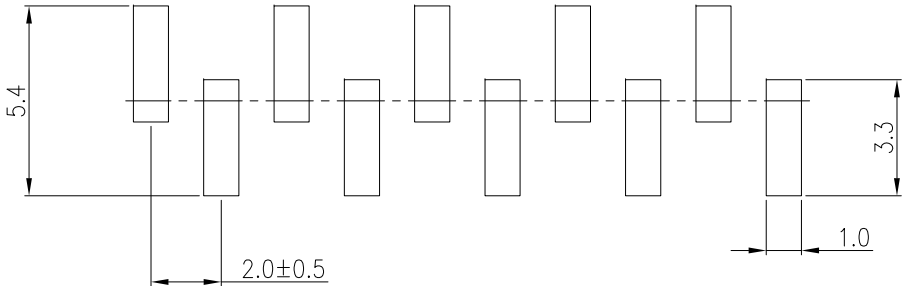
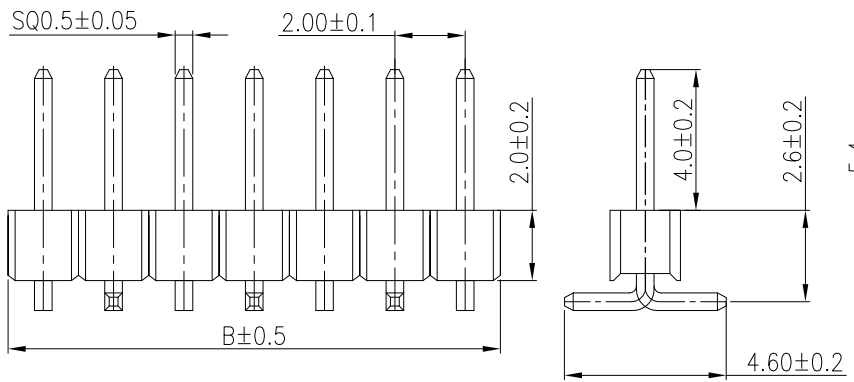
pin	A	B
2	2.00	4.00
3	4.00	6.00
4	6.00	8.00
5	8.00	10.00
6	10.00	12.00
7	12.00	14.00
8	14.00	16.00
9	16.00	18.00
10	18.00	20.00
11	20.00	22.00
12	22.00	24.00
13	24.00	26.00
14	26.00	28.00
15	28.00	30.00
16	30.00	32.00
17	32.00	34.00
18	34.00	36.00
19	36.00	38.00
20	38.00	40.00
21	40.00	42.00
22	42.00	44.00
23	44.00	46.00
24	46.00	48.00
25	48.00	50.00
26	50.00	52.00
27	52.00	54.00
28	54.00	56.00
29	56.00	58.00
30	58.00	60.00
31	60.00	62.00
32	62.00	64.00
33	64.00	66.00
34	66.00	68.00
35	68.00	70.00
36	70.00	72.00
37	72.00	74.00
38	74.00	76.00
39	76.00	78.00
40	78.00	80.00

RoHS Compliant	SYMBOL	REV.	REVISION	APPROVAL	DATE
		A	新版圖紙	/	/



**SPECIFICATIONS**  
 CURRENT RATING: 2.0A @ 80°C AMBIENT  
 OPERATING TEMP RANGE: -40°C TO +125°C  
 MAX PROCESSING TEMP: NY6T: 260°C FOR 10 SECONDS  
 PBT: 200°C FOR 20 SECONDS  
 INSULATOR MATERIAL: NY6T  
 CONTACT MATERIAL: BRASS  
 PLATING: GOLD FLASH  
 PART NUMBER: DH04-MB0 xx x L20L

E: TUBE  
 C: CAP+REEL  
 xx: Number of contact



P. C. B. Layout

**DST**-conn Tech. Co., Ltd.

COPYRIGHT RESERVED, PLEASE DO NOT COPY.

PART NAME		PH P2.0 SMD A TYPE SINGAL ROW		DRAWING	Winky	DWG. No.	DH04
PART NO.		DH04-MB0xxxL20L		CHECK	Roy	REV.	A
UNIT : mm	TOLERANCE UNLESS OTHERWISE SPECIFIED	X. X X. XX X. XXX	ANGLE	APPROVAL	John	DATE	2015/05/05
			±2°	SCALE	1:1	PAGE	1 OF 1