

RoHS Compliant

SYMBOL

REV.

REVISION

APPROVAL

DATE

A

新版圖紙

Winky

2014.06.16

SPECIFICATIONS

CURRENT RATING:2.0A @80°C AMBIENT

OPERATING TEMP RANGE: -40°C TO +125°C

MAX PROCESSING TEMP:NT6T:260°C FOR 10 SECONDS

PBT:200°C FOR 20 SECONDS

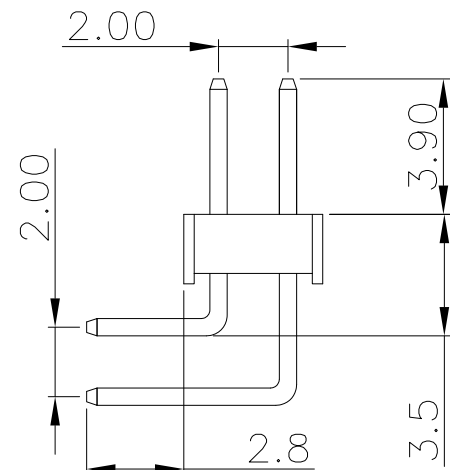
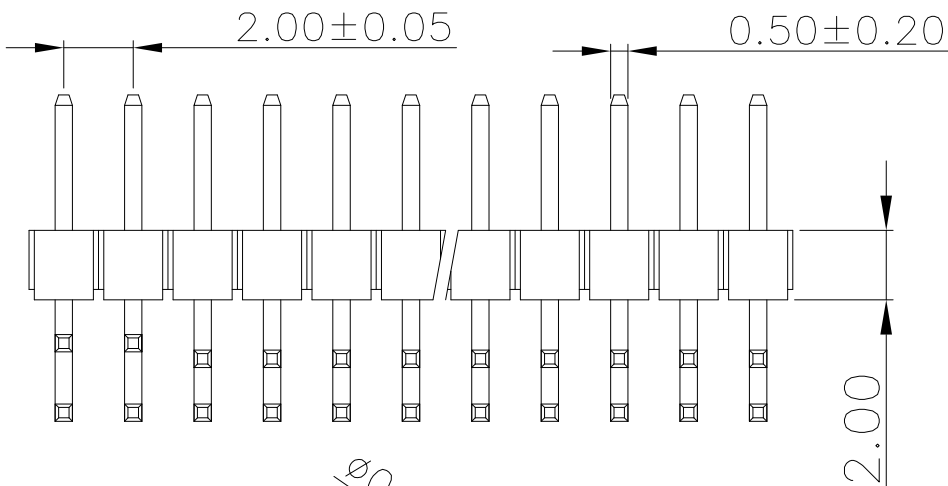
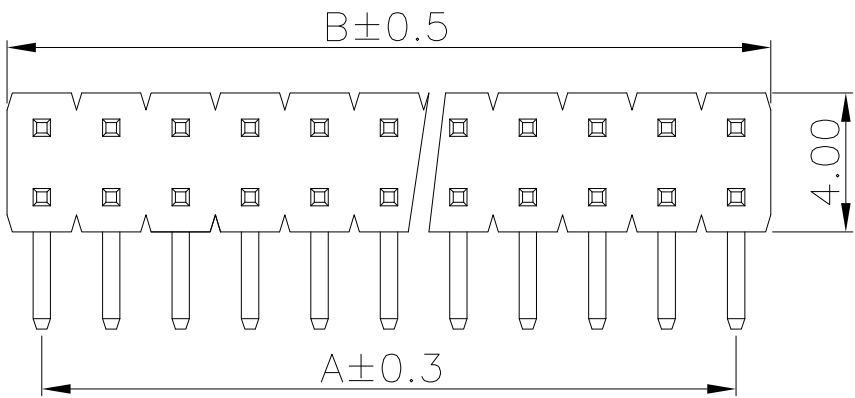
INSULATOR MATERIAL:PBT OR PA6T BLACK

CONTACT MATERIAL:BRASS

RATED VOLTAGE:100V

PLATING:GOLD FLASH OR OTHER

pin	A	B
2X2	2.00	4.00
2X3	4.00	6.00
2X4	6.00	8.00
2X5	8.00	10.00
2X6	10.00	12.00
2X7	12.00	14.00
2X8	14.00	16.00
2X9	16.00	18.00
2X10	18.00	20.00
2X11	20.00	22.00
2X12	22.00	24.00
2X13	24.00	26.00
2X14	26.00	28.00
2X15	28.00	30.00
2X16	30.00	32.00
2X17	32.00	34.00
2X18	34.00	36.00
2X19	36.00	38.00
2X20	38.00	40.00
2X21	40.00	42.00
2X22	42.00	44.00
2X23	44.00	46.00
2X24	46.00	48.00
2X25	48.00	50.00
2X26	50.00	52.00
2X27	52.00	54.00
2X28	54.00	56.00
2X29	56.00	58.00
2X30	58.00	60.00
2X31	60.00	62.00
2X32	62.00	64.00
2X33	64.00	66.00
2X34	66.00	68.00
2X35	68.00	70.00
2X36	70.00	72.00
2X37	72.00	74.00
2X38	74.00	76.00
2X39	76.00	78.00
2X40	78.00	80.00

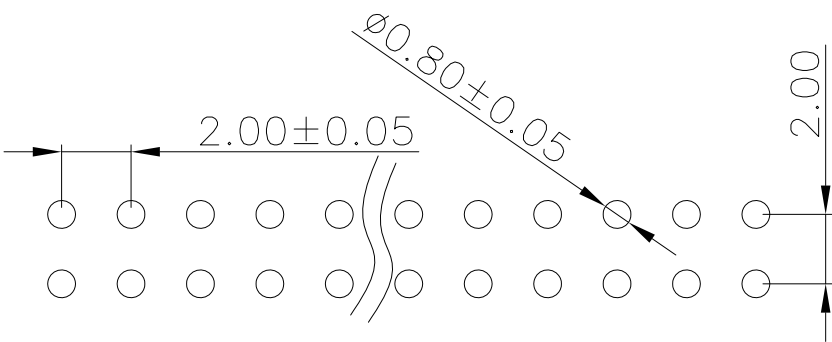


PART NUMBER: DH11-M x 0 xx 0L20L- x

B:BLACK
E:BLUE
P:PURPLE(668C)

xx: Number of contact

B:PA6T
G:PBT



P.C.B LAYOUT

DST-conn Tech. Co., Ltd.

COPYRIGHT RESERVED, PLEASE DO NOT COPY.

PART NAME		PH P2.0 90° DIP SERIES		DRAWING	Winky	DWG. No.	DH11
PART NO.		DH11-Mx0xx0L20L-x		CHECK	Roy	REV.	A
UNIT : mm	TOLERANCE UNLESS	X. X ±0.30	ANGLE	APPROVAL	John	DATE	2014.06.16
	OTHERWISE SPECIFIED	X.XX ±0.20 X.XXX ±0.10		±2°	SCALE	1:1	PAGE