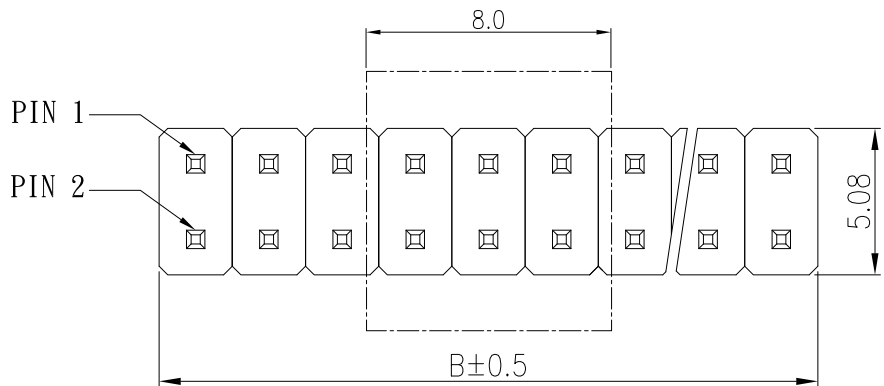
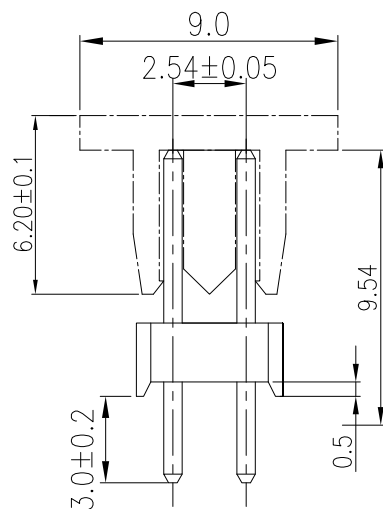
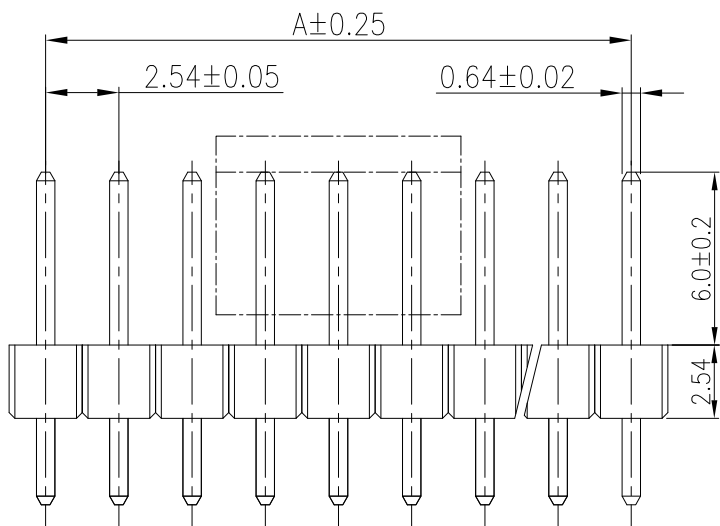


RoHS Compliant

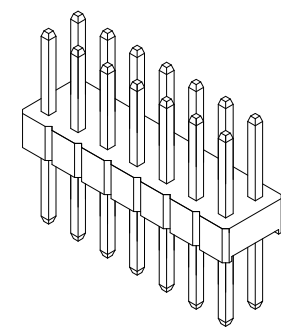
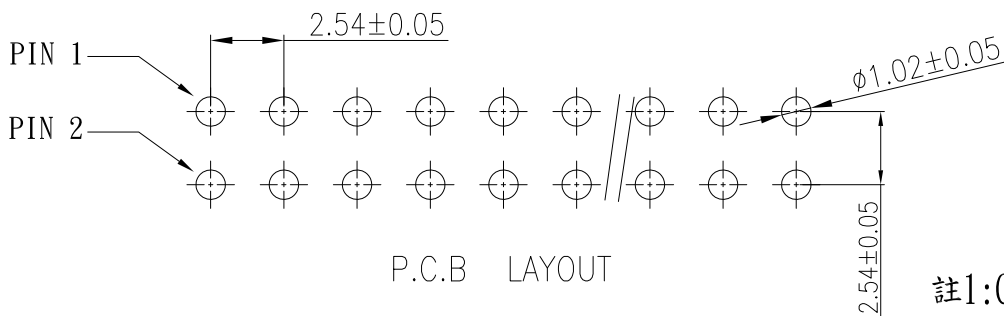
SYMBOL	REV.	REVISION	APPROVAL	DATE
	A	新版圖紙	Winky	2013.05.07



SPECIFICATIONS
 CURRENT RATING:3.0A @80°C AMBIENT
 OPERATING TEMP RANGE: -40°C TO +125°C
 MAX PROCESSING TEMP:PA6T:260°C FOR 10 SECONDS
 PBT:200°C FOR 20 SECONDS
 INSULATOR MATERIAL:PBT OR PA6T BLACK OR LCP
 CONTACT MATERIAL:BRASS
 PLATING:GOLD FLASH OR WT
 PART NUMBER: DH15-M x x xx x L54L- x



B:BLACK E:BLUE
 Y:YELLOW W:WHITE
 0:STANDARD
 C:CAP+REEL
 N:CAP+REEL(註1)
 xx:Number of contact
 0:G/F 4:15U'
 M:MATTE TIN(霧錫)
 B:PA6T G:PBT
 E:LCP(無齒)



pin / rom	A	B
2X1	0.00	2.54
2X2	2.54	5.08
2X3	5.08	7.62
2X4	7.62	10.16
2X5	10.16	12.70
2X6	12.70	15.24
2X7	15.24	17.78
2X8	17.78	20.32
2X9	20.32	22.86
2X10	22.86	25.40
2X11	25.40	27.94
2X12	27.94	30.48
2X13	30.48	33.02
2X14	33.02	35.56
2X15	35.56	38.10
2X16	38.10	40.64
2X17	40.64	43.18
2X18	43.18	45.72
2X19	45.72	48.26
2X20	48.26	50.80
2X21	50.80	53.34
2X22	53.34	55.88
2X23	55.88	58.42
2X24	58.42	60.96
2X25	60.96	63.50
2X26	63.50	66.04
2X27	66.04	68.58
2X28	68.58	71.12
2X29	71.12	73.66
2X30	73.66	76.20
2X31	76.20	78.74
2X32	78.74	81.28
2X33	81.28	83.82
2X34	83.82	86.36
2X35	86.36	88.90
2X36	88.90	91.44
2X37	91.44	93.98
2X38	93.98	96.52
2X39	96.52	99.06
2X40	99.06	101.6

Contact Plating	Gold
Contact Plating Thickness	Gold Flash
Soldering Plating	Gold

註1:CAP尺寸為長寬高(4.7X5.9X5.0)

DST-conn Tech. Co., Ltd.

PART NAME	PH P2.54 180° DUAL ROW	DRAWING	Winky	DWG. No.	DH15	
PART NO.	DH15-MxxxxxL54L-x	CHECK	Roy	REV.	A	
UNIT : mm	TOLERANCE UNLESS	X.X ±0.30	APPROVAL	John	DATE	2013.05.07
	OTHERWISE SPECIFIED	X.XX ±0.20 X.XXX ±0.10	SCALE	1:1	PAGE	1 OF 1
		ANGLE				
			±2°			

COPYRIGHT RESERVED, PLEASE DO NOT COPY.