

RoHS Compliant

SYMBOL

REV.

REVISION

APPROVAL

DATE

A

新版圖紙

Winky

2012. 11. 08

SPECIFICATIONS

CURRENT RATING:3.0A @80°C AMBIENT

OPERATING TEMP RANGE: -40°C TO +125°C

MAX PROCESSING TEMP:PA6T 260°C FOR 10 SECONDS

PBT:200°C FOR 20 SECONDS,LCP 260°C FOR 10 SECONDS

INSULATOR MATERIAL:PBT OR PA6T BLACK OR LCP

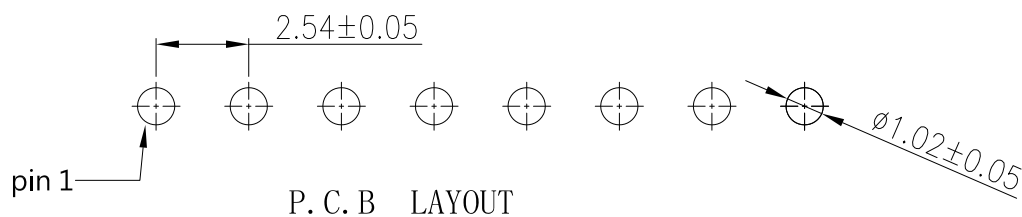
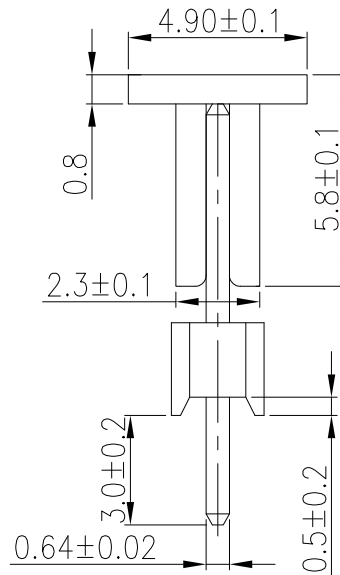
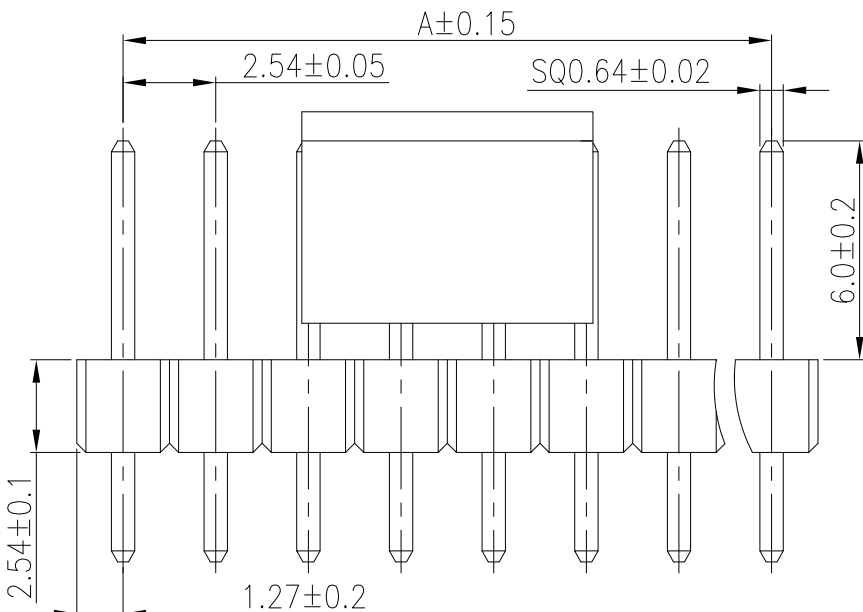
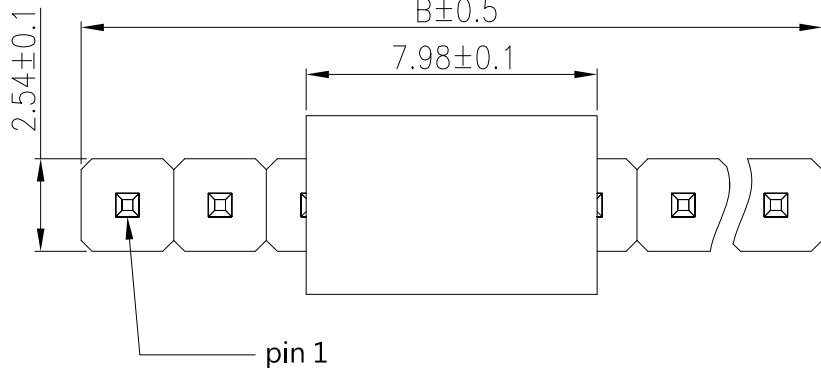
CONTACT MATERIAL:BRASS

PLATING:GOLD FLASH

PART NUMBER: DH16-M x 0 xx x L54L-x

B: BLACK  
Y: YELLOW  
O: PE  
C: CAP+REEL  
xx:NO.OF CONTACT  
O: G/F  
B: PA6T G: PBT  
E: LCP

| pin | A     | B     |
|-----|-------|-------|
| 2   | 2.54  | 5.08  |
| 3   | 5.08  | 7.62  |
| 4   | 7.62  | 10.16 |
| 5   | 10.16 | 12.70 |
| 6   | 12.70 | 15.24 |
| 7   | 15.24 | 17.78 |
| 8   | 17.78 | 20.32 |
| 9   | 20.32 | 22.86 |
| 10  | 22.86 | 25.40 |
| 11  | 25.40 | 27.94 |
| 12  | 27.94 | 30.48 |
| 13  | 30.48 | 33.02 |
| 14  | 33.02 | 35.56 |
| 15  | 35.56 | 38.10 |
| 16  | 38.10 | 40.64 |
| 17  | 40.64 | 43.18 |
| 18  | 43.18 | 45.72 |
| 19  | 45.72 | 48.26 |
| 20  | 48.26 | 50.80 |
| 21  | 50.80 | 53.34 |
| 22  | 53.34 | 55.88 |
| 23  | 55.88 | 58.42 |
| 24  | 58.42 | 60.96 |
| 25  | 60.96 | 63.50 |
| 26  | 63.50 | 66.04 |
| 27  | 66.04 | 68.58 |
| 28  | 68.58 | 71.12 |
| 29  | 71.12 | 73.66 |
| 30  | 73.66 | 73.66 |
| 31  | 76.20 | 78.74 |
| 32  | 78.74 | 81.28 |
| 33  | 81.28 | 83.82 |
| 34  | 83.82 | 86.36 |
| 35  | 86.36 | 88.90 |
| 36  | 88.90 | 91.44 |
| 37  | 91.44 | 93.98 |
| 38  | 93.98 | 96.52 |
| 39  | 96.52 | 99.06 |
| 40  | 99.06 | 101.6 |



**DST**-conn Tech. Co., Ltd.

|              |                                      |   |          |          |      |
|--------------|--------------------------------------|---|----------|----------|------|
| PART NAME    | PH P2.54 180° SINGAL ROW             | DRAWING                                   | Winky    | DWG. No. | DH16 |
| PART NO.     | DH16-Mx0xxxL54L-x                    | CHECK                                     | Roy      | REV.     | A    |
| UNIT :<br>mm | TOLERANCE UNLESS OTHERWISE SPECIFIED | X. X ±0.30<br>X. XX ±0.20<br>X. XXX ±0.10 | APPROVAL | John     | DATE |
|              |                                      | ANGLE ±2°                                 | SCALE    | 1:1      | PAGE |

COPYRIGHT RESERVED, PLEASE DO NOT COPY.

F

E

D

C

B

A