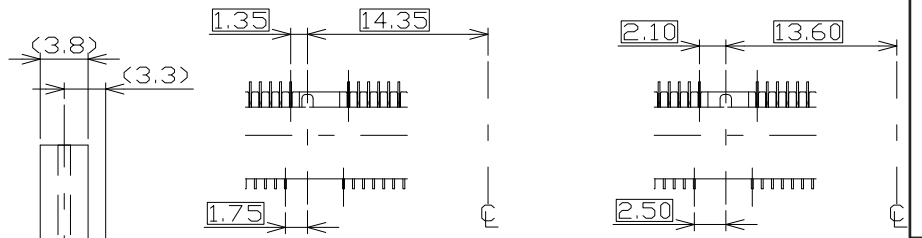
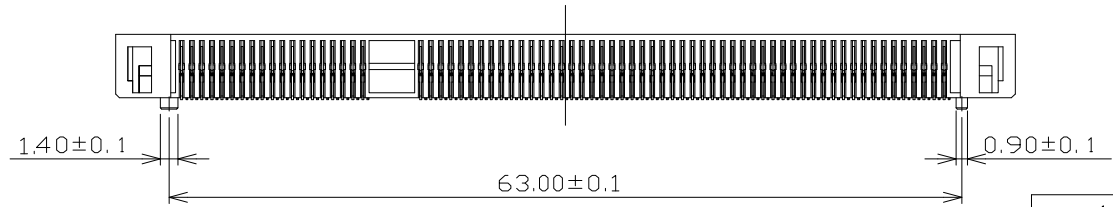
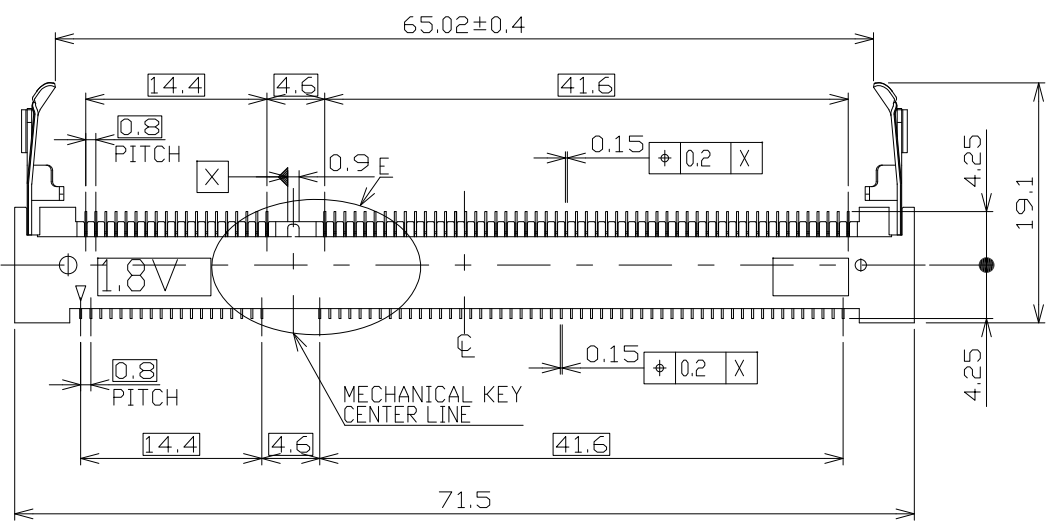
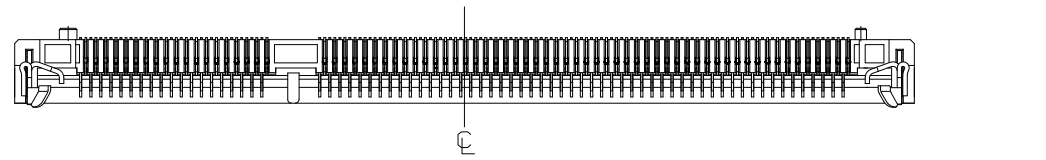


RoHS Compliant

SYMBOL	REV.	REVISION	APPROVAL	DATE
	A	新版圖紙	Winky	2015. 04. 29



TYPE 1
POWER SUPPLY 2.5 V
(DI02-DSEB0144xLH-1)

TYPE 2
POWER SUPPLY 1.8 V
(DI02-DSEB0144xLH-2)

DETAIL E
MECHANICAL KEY TYPE

NOTES.

- 1.MATERIAL;HOUSING:LCP,UL94V-0,COLOR:BLA CK CONTACT:CUPPER ALDY METAL LATCH:SUS
- 2.PLATING;CONTACT(CONTACT POINT,SOLDER AREA): Au PLATE 0.02μm MIN ,Ni UNDER PLATE 1.5μm MIN.
- 3.MUST BE MEASURED FLOATING AMOUNT OF CONTACT TAILS FROM DATAM SURFACE IS 0.1mm MAX.
- 4.NOT TO SCALE.
- 5.TOLERANCES NON-CUMULATIVE
- 6.FOR SOCKET OF THE OTHER COMPANIES



1.8V	TYPE 2	DI02-DSEB0144xLH-2	DI02-DSEB0144TLH-2	DI02-DSEB0144RLH-2
2.5V	TYPE 1	DI02-DSEB0144xLH-1	DI02-DSEB0144TLH-1	DI02-DSEB0144RLH-1
POWER SUPPLY	KEY TYPE	PART NO. OF CONNECTOR	PART NO. OF PACKAGED PRODUCT (WITH HARD TARY)	PART NO. OF PACKAGED PRODUCT (WITH EMBOSS TAPE)

DST-conn Tech. Co., Ltd.

COPYRIGHT RESERVED, PLEASE DO NOT COPY.

PART NAME	DDR S.O DIMM SOCKET II=5.2 TYPE A 144pos. SMALL LATCH	DRAWING	Winky	DWG. No.	DI02
PART NO.	DI02-DSEB0144xLH-x	CHECK	Roy	REV.	A
UNIT : mm	GENERAL TOLERANCE	±0.20	ANGLE	DATE	2015. 04. 29
			±2°	SCALE	1:1

F

E

D

C

B

A

RoHS Compliant

SYMBOL

REV.

REVISION

APPROVAL

DATE

A

新版圖紙

Winky

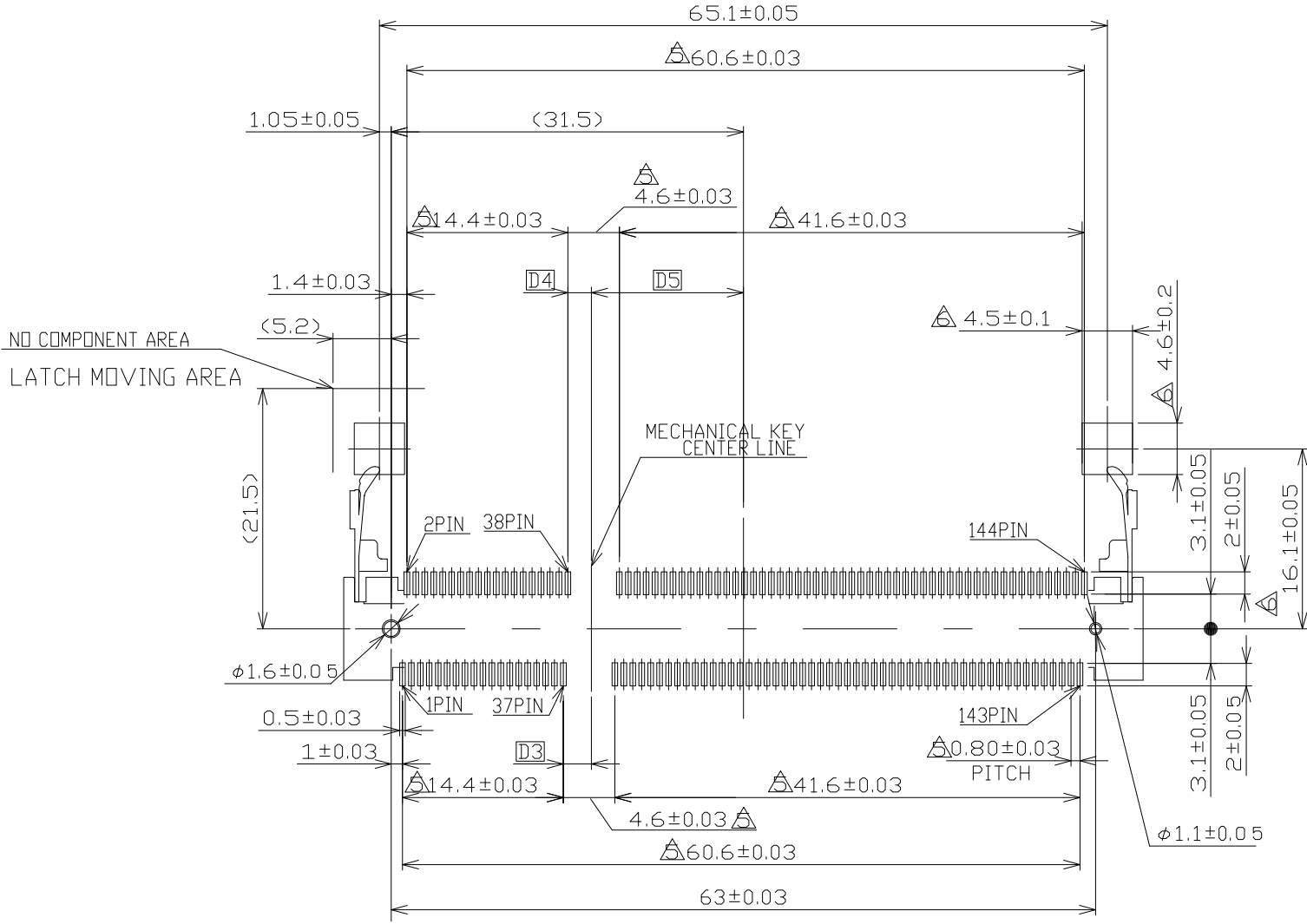
2015. 04. 29

1

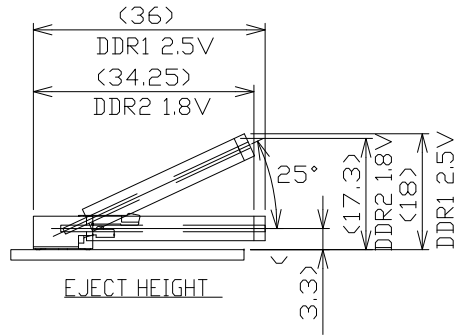
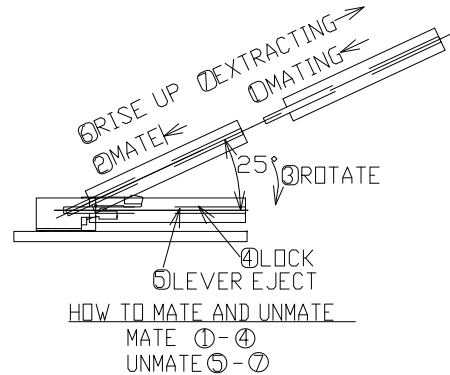
2

3

4



NO COMPONENT AREA
LATCH MOVING AREA



RECOMMENDED MOUNTING
P.C. BOARD PATTERN LAYOUT DIM.

1.8V	13.60	2.10	2.50
2.5V	14.35	1.35	1.75
POWER SUPPLY	D5	D4	D3

DST-conn Tech. Co., Ltd.

PART NAME	DDR S.O DIMM SOCKET II=5.2 TYPE A 144pos. SMALL LATCH	DRAWING	Winky	DWG. No.	D102		
PART NO.	DI02-DSEB0144xLH-x	CHECK	Roy	REV.	A		
UNIT : mm	GENERAL TOLERANCE	±0.20	APPROVAL	John	DATE	2015. 04. 29	
			ANGLE	±2°	SCALE	1:1	PAGE

COPYRIGHT RESERVED, PLEASE DO NOT COPY.

F

E

D

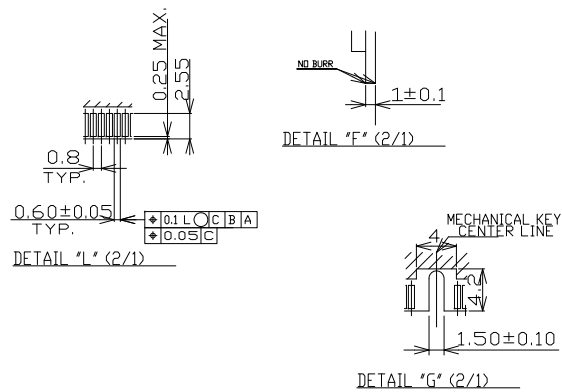
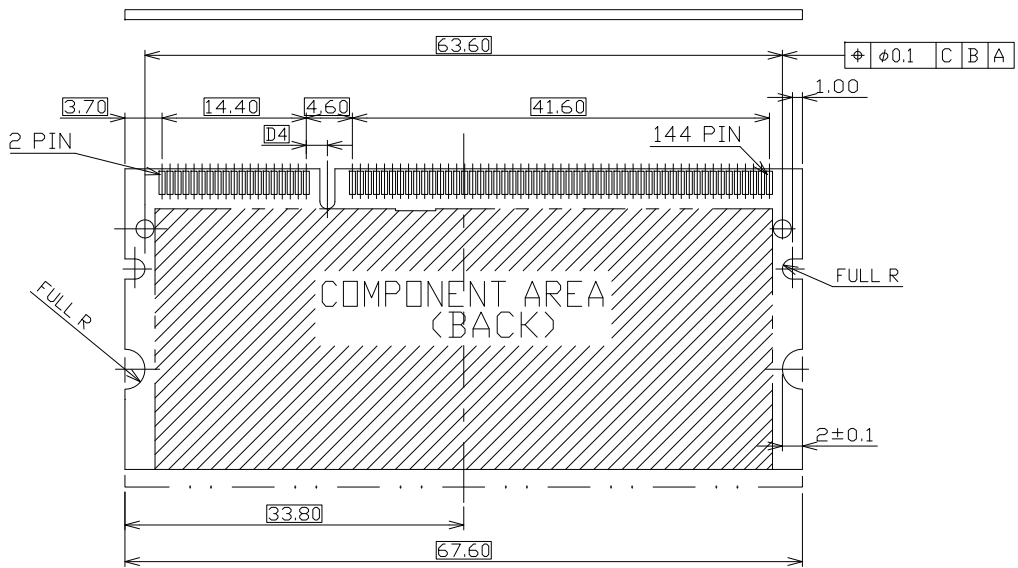
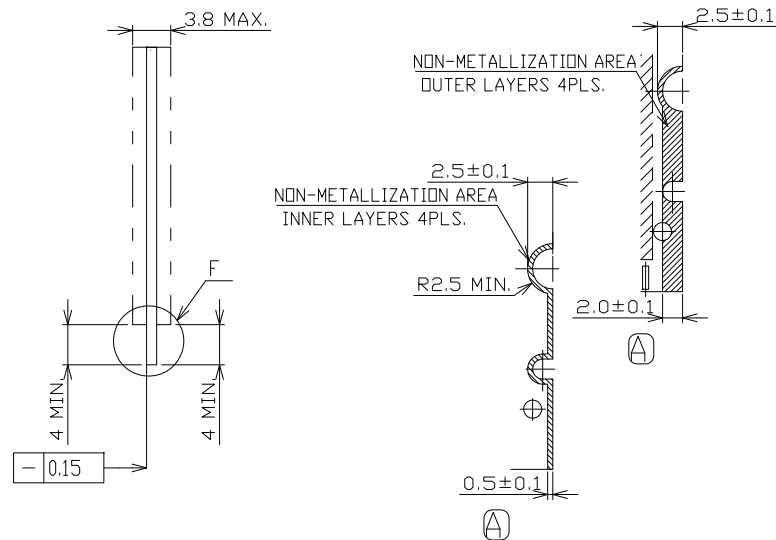
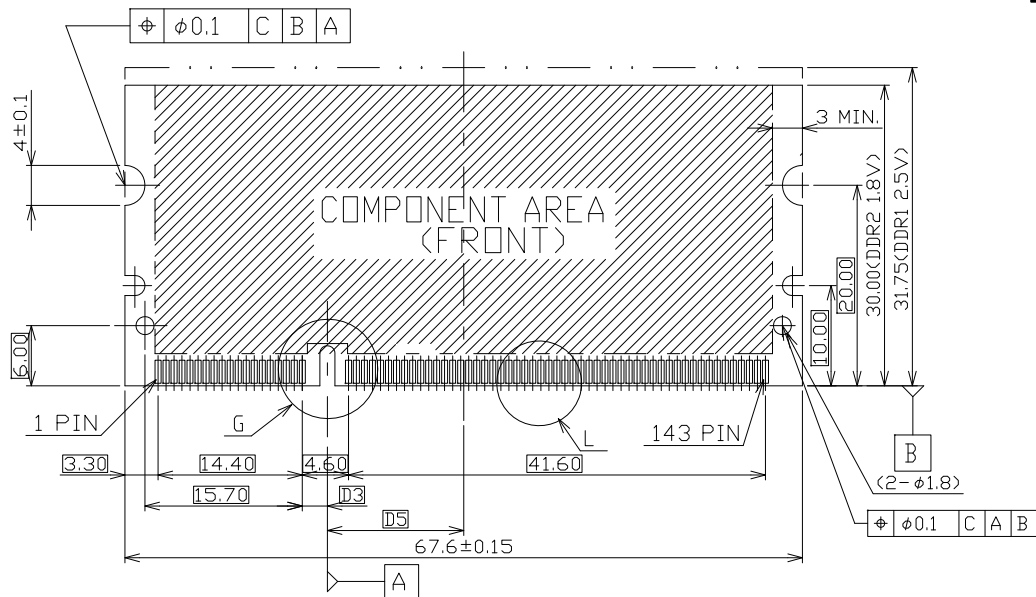
C

B

A

RoHS Compliant

SYMBOL	REV.	REVISION	APPROVAL	DATE
	A	新版圖紙	Winky	2015. 04. 29



1.8V	13.60	2.10	2.50
2.5V	14.35	1.35	1.75
POWER SUPPLY	D5	D4	D3

DST-conn Tech. Co., Ltd.

COPYRIGHT RESERVED, PLEASE DO NOT COPY.

PART NAME	DDR S.O DIMM SOCKET II-5.2 TYPE A 144pos. SMALL LATCH	DRAWING	Winky	DWG. No.	D102
PART NO.	DI02-DSEB0144xLH-x	CHECK	Roy	REV.	A
UNIT : mm	GENERAL TOLERANCE	± 0.20	ANGLE	APPROVAL	DATE
			$\pm 2^\circ$	John	2015. 04. 29
			SCALE	1:1	PAGE
					3 OF 5

F E D C B A

F

E

D

C

B

A

RoHS Compliant

SYMBOL

REV.

REVISION

APPROVAL

DATE

A

新版圖紙

Winky

2015. 04. 29

1

2

3

4

1

2

3

4

340^{±0.1}

238.05

79.35

152^{±0.1}

64

35.1

51.6

6.2

22.7

12.9

HARD TRAY PACKAGING

QUASAR SYSTEM

PS

DST-conn Tech. Co., Ltd.

COPYRIGHT RESERVED, PLEASE DO NOT COPY.

PART NAME

DDR S.O DIMM SOCKET II=5.2 TYPE A 144pos. SMALL LATCH

DRAWING

Winky

DWG. No.

D102

PART NO.

DI02-DSEB0144xLH-x

CHECK

Roy

REV.

A



UNIT :
mm

GENERAL TOLERANCE

±0.50

ANGLE

±2°

APPROVAL

John

DATE

2015. 04. 29

SCALE

1:1

PAGE

4 OF 5

F

E

D

C

B

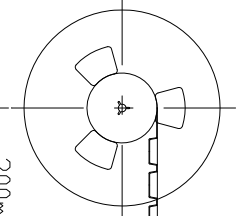
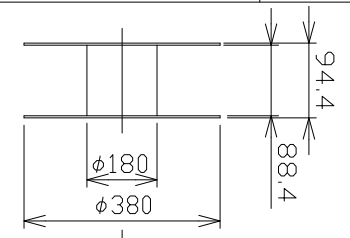
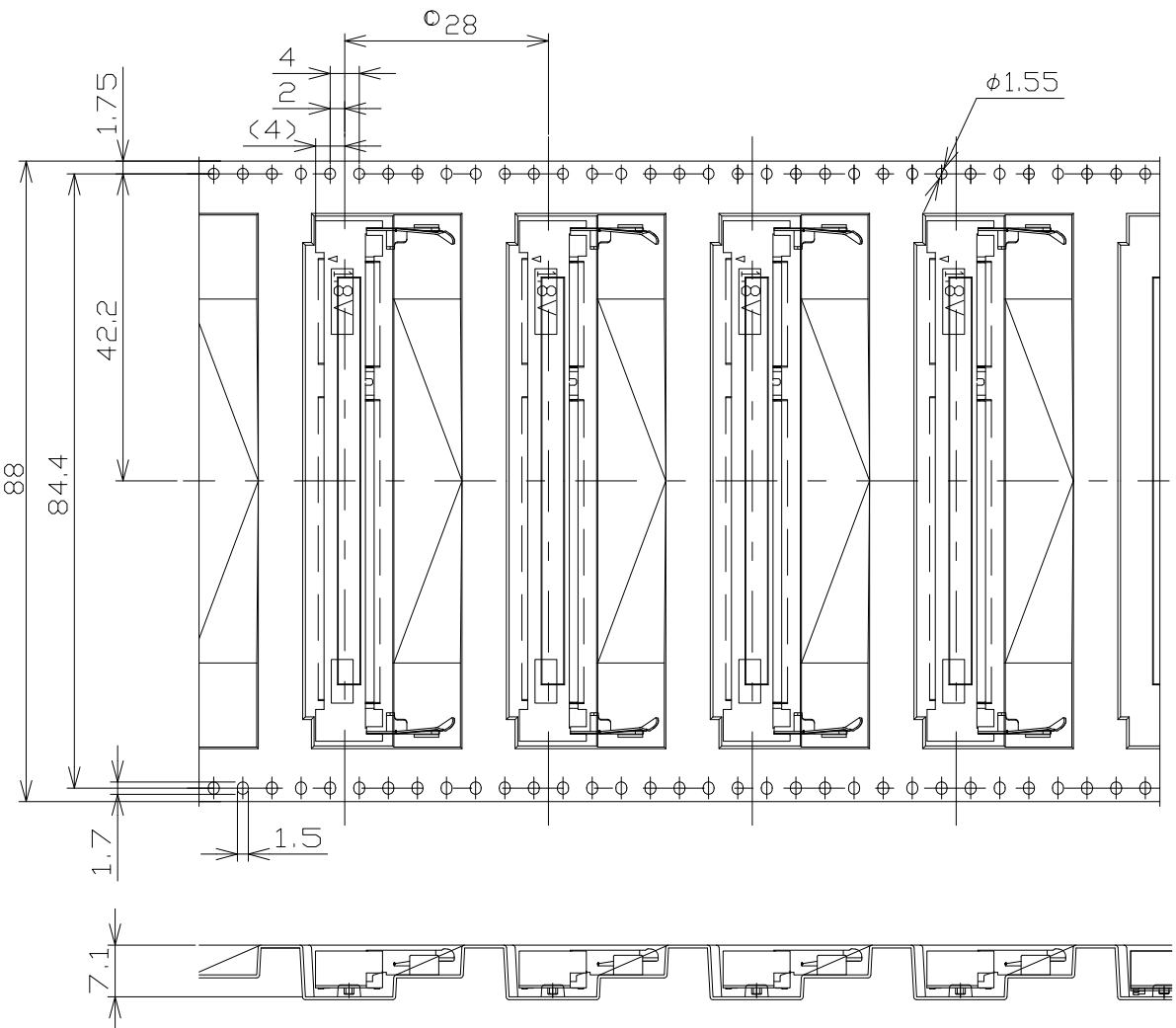
A

F	E	D	C
250	1.8V	DI02-DSEB0144xLH-2	DI02-DSEB0144RLH-2
250	2.5V	DI02-DSEB0144xLH-1	DI02-DSEB0144RLH-1
QTY.	POWER SUPPLY	PART NO. OF CONNECTOR	PART NO. OF PACKAGED PRODUCT (WITH EMBOSS TAPE)

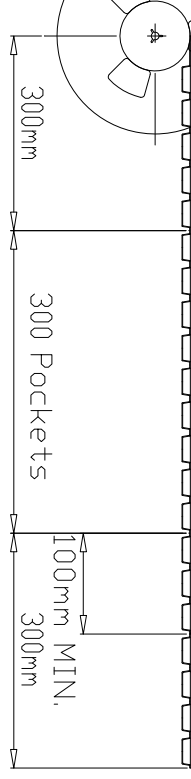
RoHS Compliant

SYMBOL	REV.	REVISION	APPROVAL	DATE
	A	新版圖紙	Winky	2015. 04. 29

DIRECTION OFF TOP OF REEL



WITHOUT CHARGE WITH PRODUCT APPRDX
WITHOUT CHARGE APPRDX



WINDING THE COVER TAPE AROUND THE OUTER PERIPHERY IN A TURN.
PEELING ANGLE 165° to 180°

DST-conn Tech. Co., Ltd.

COPYRIGHT RESERVED, PLEASE DO NOT COPY.

PART NAME	DDR S.0 DIMM SOCKET II=5.2 TYPE A 144pos. SMALL LATCH	DRAWING	Winky	DWG. No.	DI02	
PART NO.	DI02-DSEB0144xLH-x	CHECK	Roy	REV.	A	
UNIT : mm	GENERAL TOLERANCE	±0.50	APPROVAL	John	DATE	2015. 04. 29
			SCALE	1:1	PAGE	5 OF 5