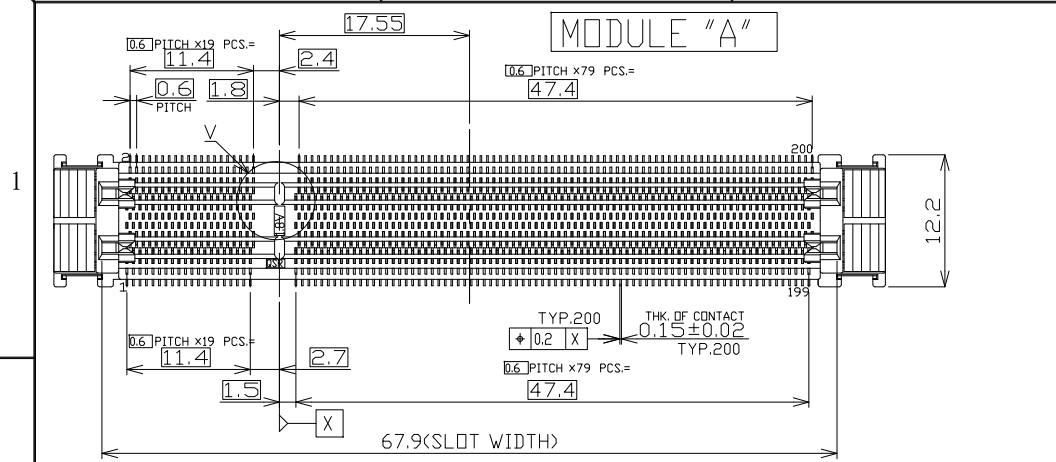
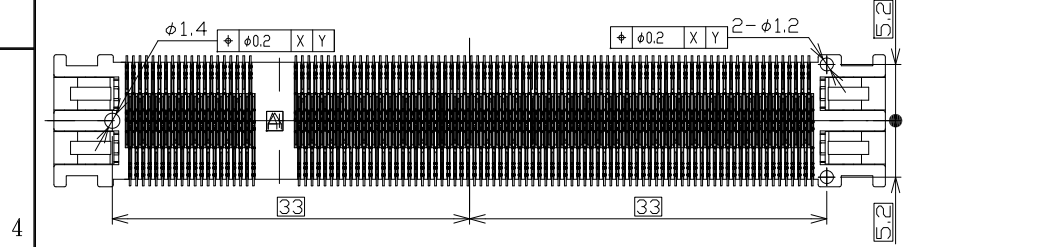
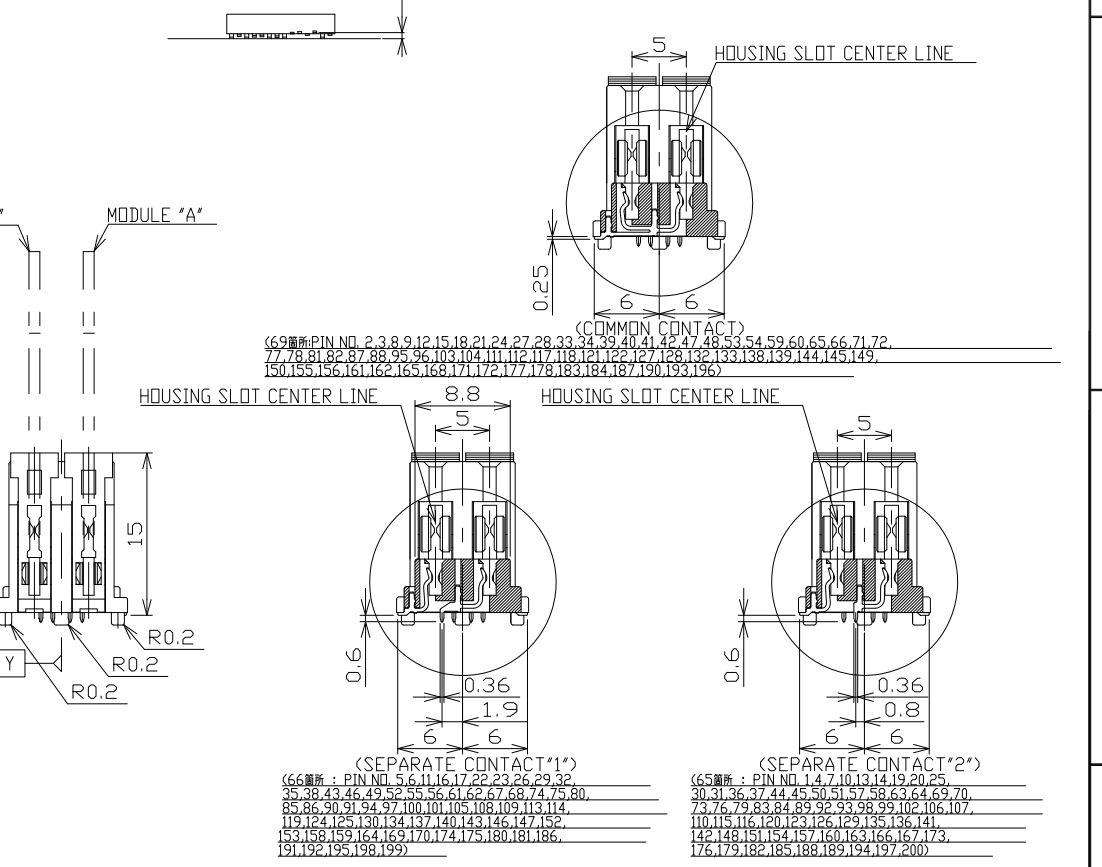
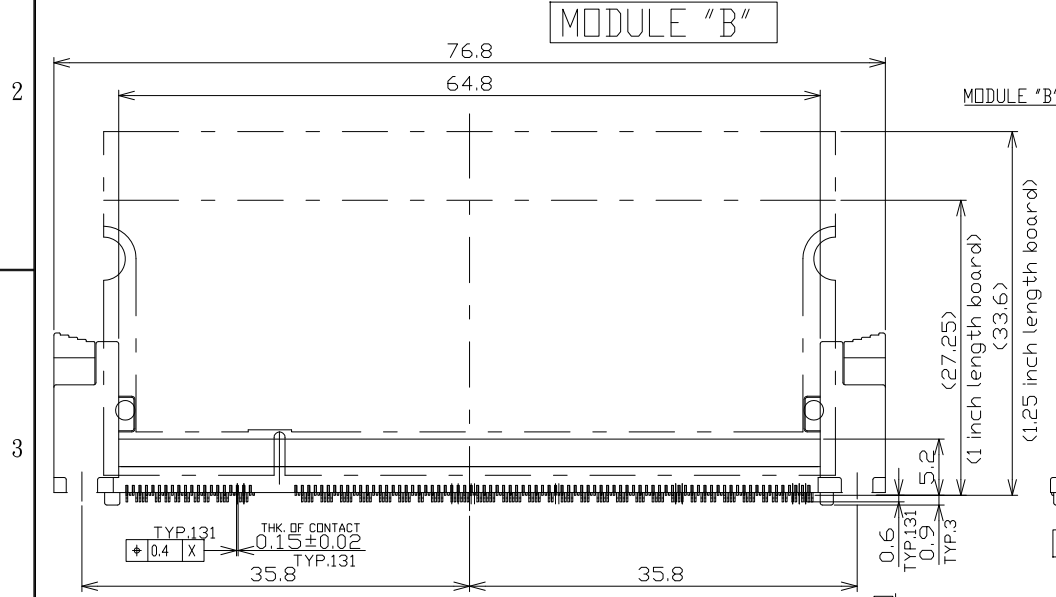


RoHS Compliant	SYMBOL	REV.	REVISION	APPROVAL	DATE
		A	新版圖紙	Winky	2015. 04. 29



- NOTE
- 1.MATERIAL ; HOUSING : LCP UL94-V0
CONTACT : COPPER ALLOY
LATCH : HIGH TEMPERATURE THERMOPLASTIC UL94V-0
 - 2.FINISH OF CONTACT ; 0.0001 min. GOLD PLATING
on 0.0013 min. ALL OVER NICKEL
 - 3.TOLELANCE NON-CUMULATIVE
 - 4.MUST BE MEASURED FLOATING AMOUNT OF CONTACT TAILS AND FROM DATAM SURFACE IS 0.1mm MAX.



DST-conn Tech. Co., Ltd.

COPYRIGHT RESERVED, PLEASE DO NOT COPY.

PART NAME	DUAL DDR S. O. DIMM SOCKET 331POS. VERTICAL TYPE	DRAWING	Winky	DWG. No.	D103
PART NO.	D103-DVEN1331TLH	CHECK	Roy	REV.	A
UNIT : mm	GENERAL TOLERANCE	±0.20	ANGLE	DATE	2015. 04. 29
			±2°	SCALE	1:1

F

E

D

C

B

A

RoHS Compliant

SYMBOL

REV.

REVISION

APPROVAL

DATE

A

新版圖紙

Winky

2015. 04. 29

1

1

2

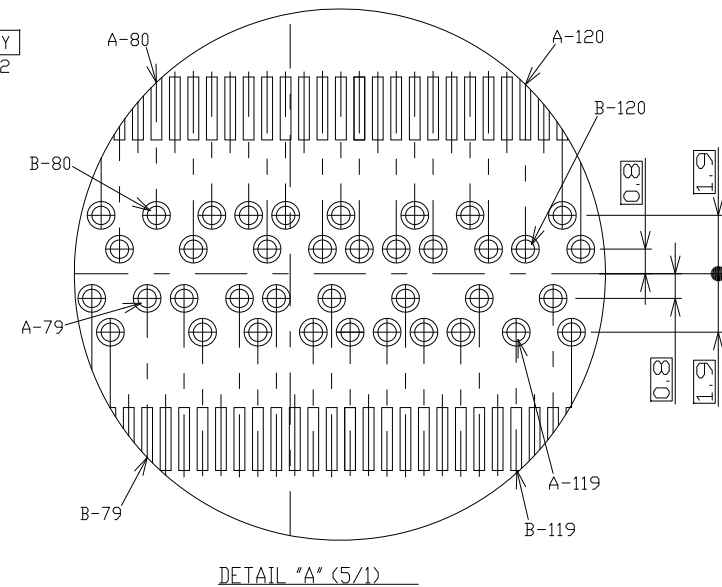
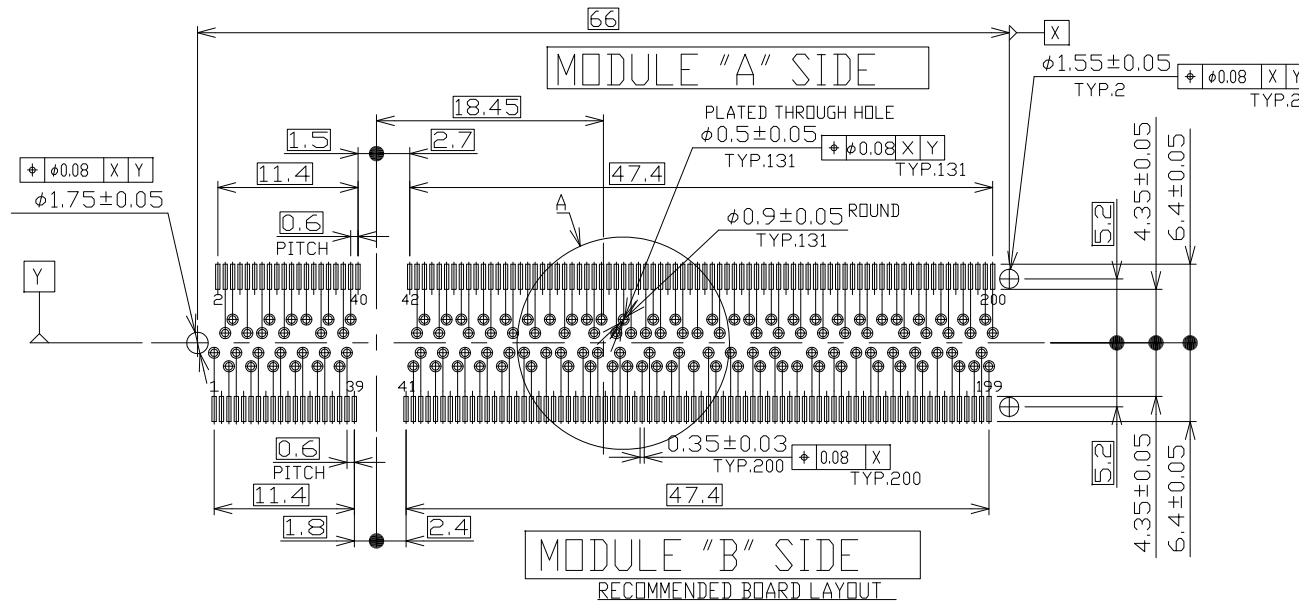
2

3

3

4

4



DST-conn Tech. Co., Ltd.

COPYRIGHT RESERVED, PLEASE DO NOT COPY.

PART NAME		DUAL DDR S. O. DIMM SOCKET 331POS. VERTICAL TYPE		DRAWING		Winky		DWG. No.		D103	
PART NO.		D103-DVEN1331TLH		CHECK		Roy		REV.		A	
UNIT :		GENERAL TOLERANCE		ANGLE		APPROVAL		DATE		2015. 04. 29	
mm		±0.20		±2°		SCALE		PAGE		2 OF 5	

F

E

D

C

B

A

F

E

D

C

B

A

RoHS Compliant

SYMBOL

REV.

REVISION

APPROVAL

DATE

A

新版圖紙

Winky

2015. 04. 29

VSS : MODULE PIN No. 2, 3, 8, 9, 12, 15, 18, 21, 24, 27, 28, 33, 34, 39, 40, 41, 42, 47, 48, 53, 54, 59, 60, 65, 66, 71, 72, 77, 78, 121, 122, 127, 128, 132, 133, 138, 139, 144, 145, 149, 150, 155, 156, 161, 162, 165, 168, 171, 172, 177, 178, 183, 184, 187, 190, 193, 196.

VDD : MODULE PIN No. 81, 82, 87, 88, 95, 96, 103, 104, 111, 112, 117, 118.

B-164	MODULE "B" No. 164	CK1	B-107	MODULE "B" No. 107	BA0		
A-164	MODULE "A" No. 164	CK1	A-107	MODULE "A" No. 107	BA0		
B-163	MODULE "B" No. 163	NC TEST	B-106	MODULE "B" No. 106	BA1		
A-163	MODULE "A" No. 163	NC TEST	A-106	MODULE "A" No. 106	BA1		
B-160	MODULE "B" No. 160	D053	B-105	MODULE "B" No. 105	A10/AP		
A-160	MODULE "A" No. 160	D053	A-105	MODULE "A" No. 105	A10/AP		
B-159	MODULE "B" No. 159	D049	B-102	MODULE "B" No. 102	A0		
A-159	MODULE "A" No. 159	D049	A-102	MODULE "A" No. 102	A0		
B-158	MODULE "B" No. 158	D052	B-101	MODULE "B" No. 101	A1	B-52	MODULE "B" No. 52 DM2
A-158	MODULE "A" No. 158	D052	A-101	MODULE "A" No. 101	A1	A-52	MODULE "A" No. 52 DM2
B-157	MODULE "B" No. 157	D048	B-100	MODULE "B" No. 100	A2	B-51	MODULE "B" No. 51 D052
A-157	MODULE "A" No. 157	D048	A-100	MODULE "A" No. 100	A2	A-51	MODULE "A" No. 51 D052
B-154	MODULE "B" No. 154	D047	B-99	MODULE "B" No. 99	A3	B-50	MODULE "B" No. 50 NC
A-154	MODULE "A" No. 154	D047	A-99	MODULE "A" No. 99	A3	A-50	MODULE "A" No. 50 NC
B-153	MODULE "B" No. 153	D043	B-98	MODULE "B" No. 98	A4	B-49	MODULE "B" No. 49
A-153	MODULE "A" No. 153	D043	A-98	MODULE "A" No. 98	A4	A-49	MODULE "A" No. 49
B-152	MODULE "B" No. 152	D046	B-97	MODULE "B" No. 97	A5	B-46	MODULE "B" No. 46 D021
A-152	MODULE "A" No. 152	D046	A-97	MODULE "A" No. 97	A5	A-46	MODULE "A" No. 46 D021
B-151	MODULE "B" No. 151	D042	B-94	MODULE "B" No. 94	A6	B-45	MODULE "B" No. 45 D017
A-151	MODULE "A" No. 151	D042	A-94	MODULE "A" No. 94	A6	A-45	MODULE "A" No. 45 D017
B-148	MODULE "B" No. 148	D055	B-93	MODULE "B" No. 93	A8	B-44	MODULE "B" No. 44 D020
A-148	MODULE "A" No. 148	D055	A-93	MODULE "A" No. 93	A8	A-44	MODULE "A" No. 44 D020
B-147	MODULE "B" No. 147	DM5	B-92	MODULE "B" No. 92	A7	B-43	MODULE "B" No. 43 D016
A-147	MODULE "A" No. 147	DM5	A-92	MODULE "A" No. 92	A7	A-43	MODULE "A" No. 43 D016
B-146	MODULE "B" No. 146		B-91	MODULE "B" No. 91	A9	B-38	MODULE "B" No. 38 D015
A-146	MODULE "A" No. 146		A-91	MODULE "A" No. 91	A9	A-38	MODULE "A" No. 38 D015
B-143	MODULE "B" No. 143	D041	B-90	MODULE "B" No. 90	A11	B-37	MODULE "B" No. 37 D015
A-143	MODULE "A" No. 143	D041	A-90	MODULE "A" No. 90	A11	A-37	MODULE "A" No. 37 D011
B-142	MODULE "B" No. 142	D045	B-89	MODULE "B" No. 89	A12	B-36	MODULE "B" No. 36 D014
A-142	MODULE "A" No. 142	D045	A-89	MODULE "A" No. 89	A12	A-36	MODULE "A" No. 36 D014
B-141	MODULE "B" No. 141	D040	B-86	MODULE "B" No. 86	NC/A14	B-35	MODULE "B" No. 35 D010
A-141	MODULE "A" No. 141	SA0	A-86	MODULE "A" No. 86	NC/A14	A-35	MODULE "A" No. 35 D010
B-140	MODULE "B" No. 140	D044	B-85	MODULE "B" No. 85	BA2	B-32	MODULE "B" No. 32
A-140	MODULE "A" No. 140	SCL	A-85	MODULE "A" No. 85	BA2	A-32	MODULE "A" No. 32
B-137	MODULE "B" No. 137	D035	B-84	MODULE "B" No. 84	NC/A15	B-31	MODULE "B" No. 31 D051
A-137	MODULE "A" No. 137	D035	A-84	MODULE "A" No. 84	NC/A15	A-31	MODULE "A" No. 31 D051
B-136	MODULE "B" No. 136	D039	B-83	MODULE "B" No. 83	NC	B-30	MODULE "B" No. 30 CK0
A-136	MODULE "A" No. 136	D039	A-83	MODULE "A" No. 83	NC	A-30	MODULE "A" No. 30 CK0
B-135	MODULE "B" No. 135	D054	B-80	MODULE "B" No. 80	NC/CKE1	B-29	MODULE "B" No. 29
A-135	MODULE "A" No. 135	D054	A-80	MODULE "A" No. 80	NC/CKE1	A-29	MODULE "A" No. 29
B-134	MODULE "B" No. 134	D038	B-79	MODULE "B" No. 79	CKE0	B-26	MODULE "B" No. 26 DM1
A-134	MODULE "A" No. 134	D038	A-79	MODULE "A" No. 79	CKE0	A-26	MODULE "A" No. 26 DM1
B-131	MODULE "B" No. 131	D054	B-76	MODULE "B" No. 76	D031	B-25	MODULE "B" No. 25 D09
A-131	MODULE "A" No. 131	D054	A-76	MODULE "A" No. 76	D031	A-25	MODULE "A" No. 25 D09
B-130	MODULE "B" No. 130	DM4	B-75	MODULE "B" No. 75	D027	B-23	MODULE "B" No. 23 D08
A-130	MODULE "A" No. 130	DM4	A-75	MODULE "A" No. 75	D027	A-23	MODULE "A" No. 23 D08
B-129	MODULE "B" No. 129		B-74	MODULE "B" No. 74	D030	B-22	MODULE "B" No. 22 D013
A-129	MODULE "A" No. 129		A-74	MODULE "A" No. 74	D030	A-22	MODULE "A" No. 22 D013
B-126	MODULE "B" No. 126	D037	B-73	MODULE "B" No. 73	D026	B-20	MODULE "B" No. 20 D012
A-126	MODULE "A" No. 126	D037	A-73	MODULE "A" No. 73	D026	A-20	MODULE "A" No. 20 D012
B-125	MODULE "B" No. 125	D033	B-70	MODULE "B" No. 70	D053	B-19	MODULE "B" No. 19 D03
A-125	MODULE "A" No. 125	D033	A-70	MODULE "A" No. 70	D053	A-19	MODULE "A" No. 19 D03
B-124	MODULE "B" No. 124	D036	B-69	MODULE "B" No. 69	NC	B-17	MODULE "B" No. 17 D02
A-124	MODULE "A" No. 124	D036	A-69	MODULE "A" No. 69	NC	A-17	MODULE "A" No. 17 D02
B-123	MODULE "B" No. 123	D032	B-68	MODULE "B" No. 68		B-16	MODULE "B" No. 16 D07
A-123	MODULE "A" No. 123	D032	A-68	MODULE "A" No. 68		A-16	MODULE "A" No. 16 D07
B-120	MODULE "B" No. 120	NC	B-67	MODULE "B" No. 67	DM3	B-14	MODULE "B" No. 14 D06
A-120	MODULE "A" No. 120	NC	A-67	MODULE "A" No. 67	DM3	A-14	MODULE "A" No. 14 D06
B-119	MODULE "B" No. 119	NC/ODT1	B-64	MODULE "B" No. 64	D029	B-13	MODULE "B" No. 13 D050
A-119	MODULE "A" No. 119	NC/ODT1	A-64	MODULE "A" No. 64	D029	A-13	MODULE "A" No. 13 D050
B-116	MODULE "B" No. 116	NC/A13	B-63	MODULE "B" No. 63	D025	B-11	MODULE "B" No. 11
A-116	MODULE "A" No. 116	NC/A13	A-63	MODULE "A" No. 63	D025	A-11	MODULE "A" No. 11
B-115	MODULE "B" No. 115		B-62	MODULE "B" No. 62	D028	B-10	MODULE "B" No. 10 DM0
A-115	MODULE "A" No. 115		A-62	MODULE "A" No. 62	D028	A-10	MODULE "A" No. 10 DM0
B-114	MODULE "B" No. 114	ODT0	B-61	MODULE "B" No. 61	D024	B-7	MODULE "B" No. 7 D01
A-114	MODULE "A" No. 114	ODT0	A-61	MODULE "A" No. 61	D024	A-7	MODULE "A" No. 7 D01
B-113	MODULE "B" No. 113		B-58	MODULE "B" No. 58	D023	B-6	MODULE "B" No. 6 D05
A-113	MODULE "A" No. 113		A-58	MODULE "A" No. 58	D023	A-6	MODULE "A" No. 6 D05
B-110	MODULE "B" No. 110		B-57	MODULE "B" No. 57	D019	B-5	MODULE "B" No. 5 D00
A-110	MODULE "A" No. 110		A-57	MODULE "A" No. 57	D019	A-5	MODULE "A" No. 5 D00
B-109	MODULE "B" No. 109		B-56	MODULE "B" No. 56	D022	B-4	MODULE "B" No. 4 D04
A-109	MODULE "A" No. 109		A-56	MODULE "A" No. 56	D022	A-4	MODULE "A" No. 4 D04
B-108	MODULE "B" No. 108		B-55	MODULE "B" No. 55	D018	B-1	MODULE "B" No. 1 VREF
A-108	MODULE "A" No. 108		A-55	MODULE "A" No. 55	D018	A-1	MODULE "A" No. 1 VREF

B-200	MODULE "B" No. 200	SA1
A-200	MODULE "A" No. 200	SA1
B-199	MODULE "B" No. 199	VDD-SPD
A-199	MODULE "A" No. 199	VDD-SPD
B-198	MODULE "B" No. 198	SA0
A-198	MODULE "A" No. 198	SA0
B-197	MODULE "B" No. 197	SCL
A-197	MODULE "A" No. 197	SCL
B-195	MODULE "B" No. 195	SDA
A-195	MODULE "A" No. 195	SDA
B-194	MODULE "B" No. 194	D063
A-194	MODULE "A" No. 194	D063
B-192	MODULE "B" No. 192	D062
A-192	MODULE "A" No. 192	D062
B-191	MODULE "B" No. 191	D059
A-191	MODULE "A" No. 191	D059
B-189	MODULE "B" No. 189	D058
A-189	MODULE "A" No. 189	D058
B-188	MODULE "B" No. 188	D057
A-188	MODULE "A" No. 188	D057
B-186	MODULE "B" No. 186	
A-186	MODULE "A" No. 186	
B-185	MODULE "B" No. 185	DM7
A-185	MODULE "A" No. 185	DM7
B-182	MODULE "B" No. 182	D061
A-182	MODULE "A" No. 182	D061
B-181	MODULE "B" No. 181	D057
A-181	MODULE "A" No. 181	D057
B-180	MODULE "B" No. 180	D060
A-180	MODULE "A" No. 180	D060
B-179	MODULE "B" No. 179	D056
A-179	MODULE "A" No. 179	D056
B-176	MODULE "B" No. 176	D055
A-176	MODULE "A" No. 176	D055
B-175	MODULE "B" No. 175	D051
A-175	MODULE "A" No. 175	D051
B-174	MODULE "B" No. 174	D054
A-174	MODULE "A" No. 174	D054
B-173	MODULE "B" No. 173	D050
A-173	MODULE "A" No. 173	D050
B-170	MODULE "B" No. 170	DM6
A-170	MODULE "A" No. 170	DM6
B-169	MODULE "B" No. 169	D056
A-169	MODULE "A" No. 169	D056
B-167	MODULE "B" No. 167	
A-167	MODULE "A" No. 167	
B-166	MODULE "B" No. 166	
A-166	MODULE "A" No. 166	

4	BOARD LAYOUT PIN No. (SEPARATE PART)	MODULE PIN No.	MODULE PIN NAME DDR2 S.O.DIMM	BOARD LAYOUT PIN No. (SEPARATE PART)	MODULE PIN No.	MODULE PIN NAME DDR2 S.O.DIMM	BOARD LAYOUT PIN No. (SEPARATE PART)	MODULE PIN No.	MODULE PIN NAME DDR2 S.O.DIMM	BOARD LAYOUT PIN No. (SEPARATE PART)	MODULE PIN No.	MODULE PIN NAME DDR2 S.O.DIMM	4
---	--------------------------------------	----------------	-------------------------------	--------------------------------------	----------------	-------------------------------	--------------------------------------	----------------	-------------------------------	--------------------------------------	----------------	-------------------------------	---

	PART NAME		DUAL DDR S.O.DIMM SOCKET 331POS. VERTICAL TYPE	DRAWING		Winky	DWG. No.	DI03	
	PART NO.		DI03-DVEN1331TLH		CHECK	Roy	REV.	A	
		UNIT :	GENERAL TOLERANCE	±0.20	ANGLE	APPROVAL	John	DATE	2015. 04. 29
		mm			±2°	SCALE	1:1	PAGE	3 OF 5

COPYRIGHT RESERVED, PLEASE DO NOT COPY.

F

E

D

C

B

A

F

E

D

C

B

A

RoHS Compliant

SYMBOL

REV.

REVISION

APPROVAL

DATE

A

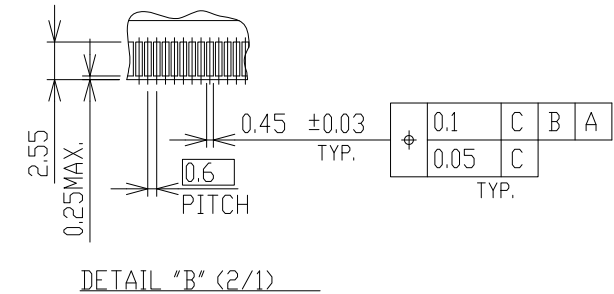
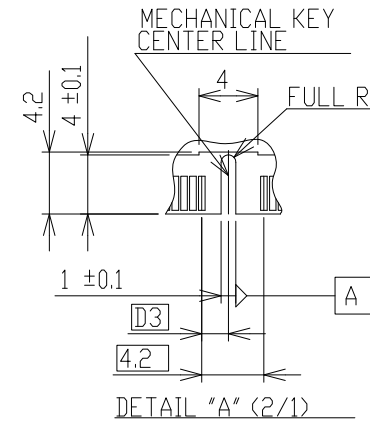
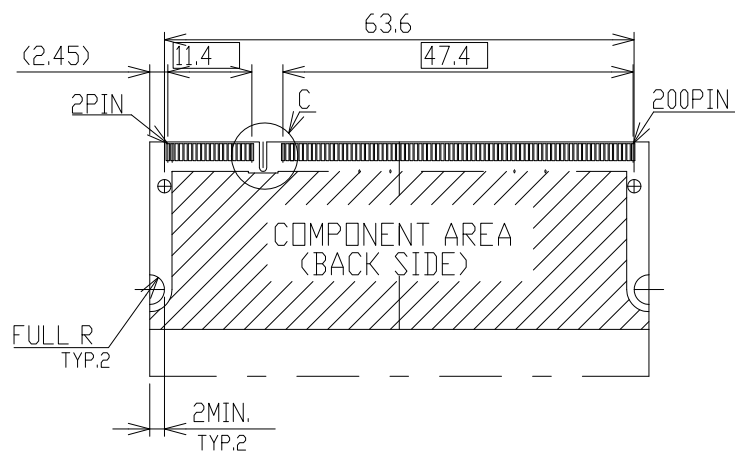
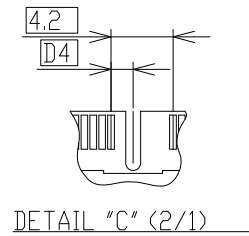
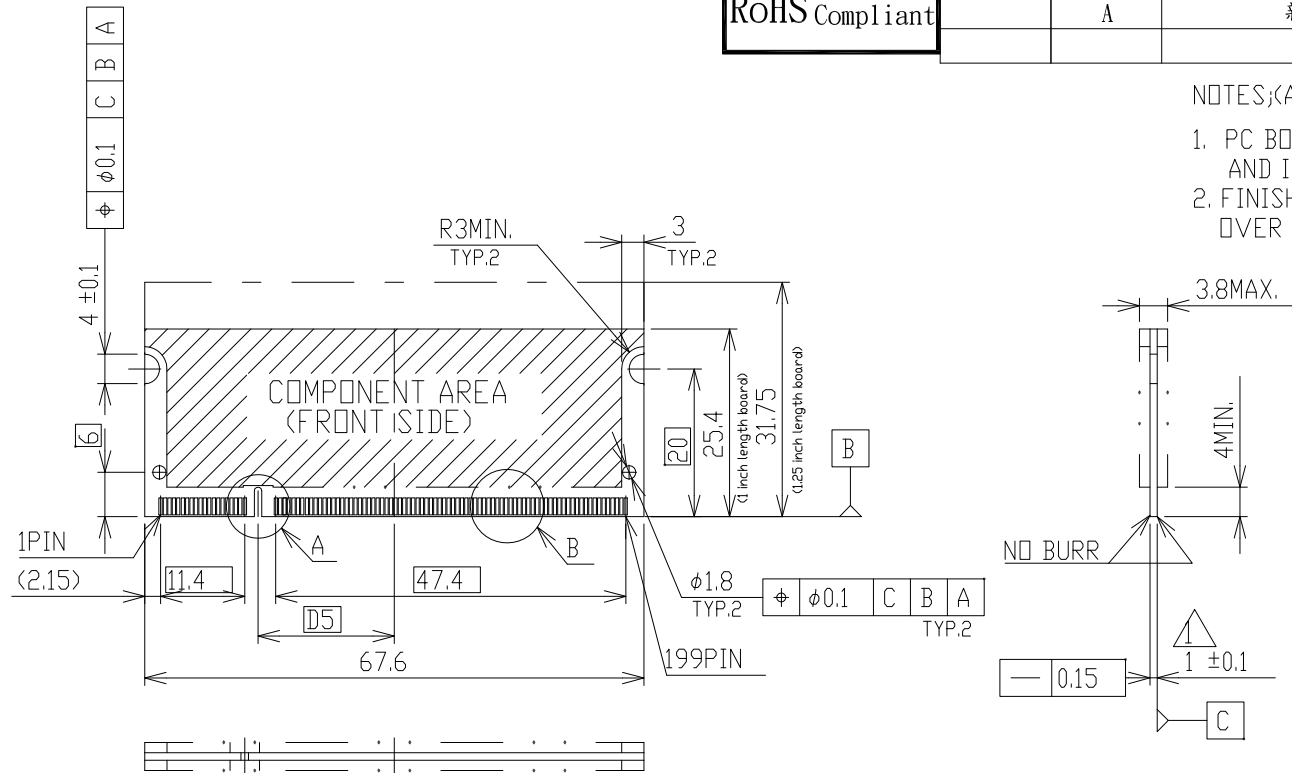
新版圖紙

Winky

2015. 04. 29

NOTES;(APPLIED TO SHEET 4 OF 6)

1. PC BOARD THICKNESS APPLIES ACROSS TABS AND INCLUDES PLATING AND/OR METALIZATION.
2. FINISH OF PAD : GOLD PLATING 0.00076 min. OVER NI PLATING 0.002 min.



DST-conn Tech. Co., Ltd.

PART NAME	DUAL DDR S. O. DIMM SOCKET 331POS. VERTICAL TYPE	DRAWING	Winky	DWG. No.	D103
PART NO.	D103-DVEN1331TLH	CHECK	Roy	REV.	A
UNIT : mm	GENERAL TOLERANCE	±0.20	ANGLE	DATE	2015. 04. 29
			±2°	SCALE	1:1

COPYRIGHT RESERVED, PLEASE DO NOT COPY.

F

E

D

C

B

A

F

E

D

C

B

A

RoHS Compliant

SYMBOL

REV.

REVISION

APPROVAL

DATE

A

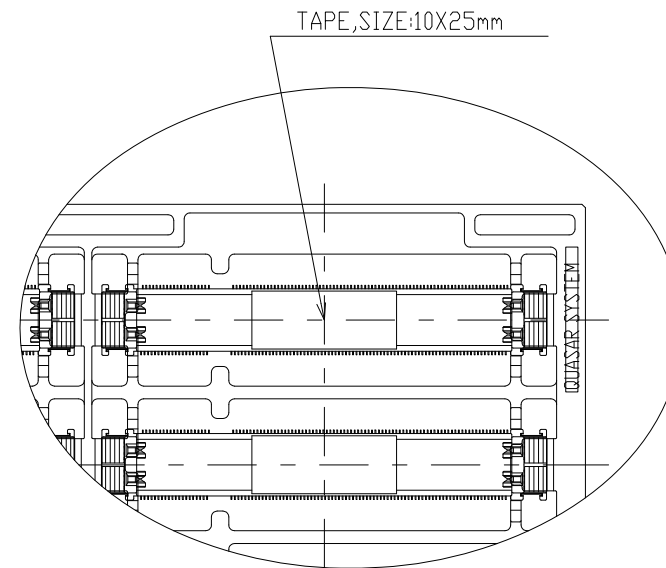
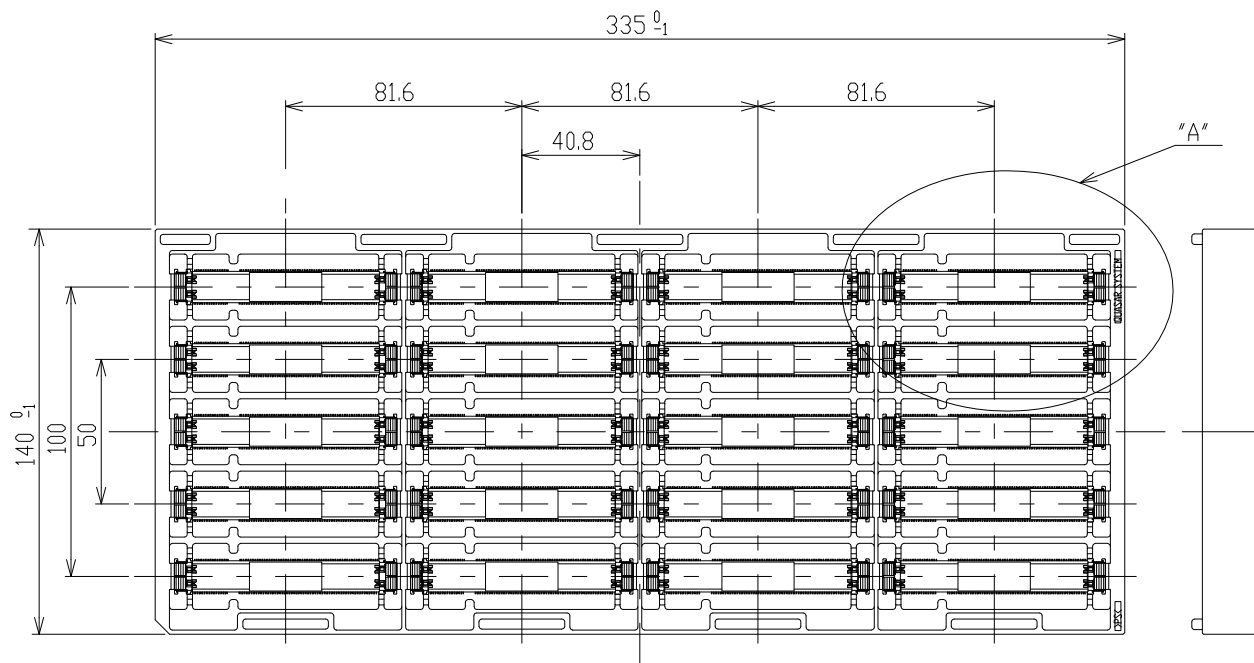
新版圖紙

Winky

2015. 04. 29

1

1



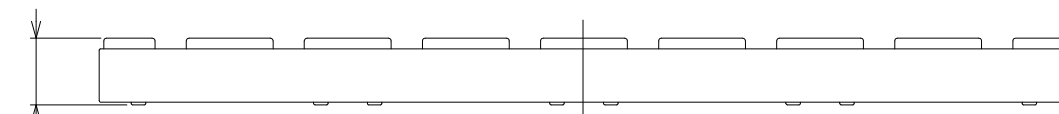
DETAIL "A"
(SCALE 1/1)

2

2

3

3



HARD TRAY PACKAGING

4

4

DST-conn Tech. Co., Ltd.

PART NAME		DUAL DDR S.O.DIMM SOCKET 331POS. VERTICAL TYPE		DRAWING		Winky		DWG. No.		D103	
PART NO.		D103-DVEN1331TLH		CHECK		Roy		REV.		A	
	UNIT :		GENERAL TOLERANCE	±0.50	ANGLE		APPROVAL		DATE		2015. 04. 29
	mm				±2°		SCALE		1:1		PAGE

COPYRIGHT RESERVED, PLEASE DO NOT COPY.

F

E

D

C

B

A