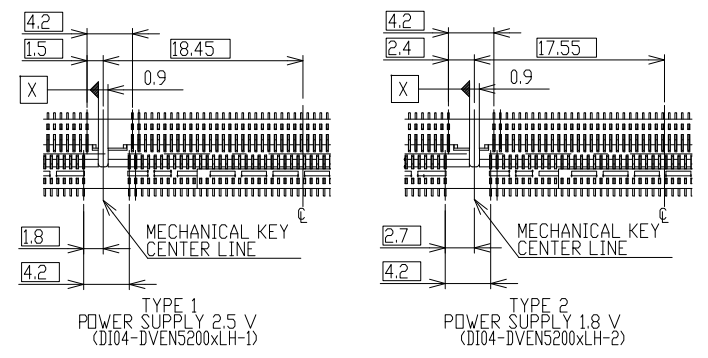
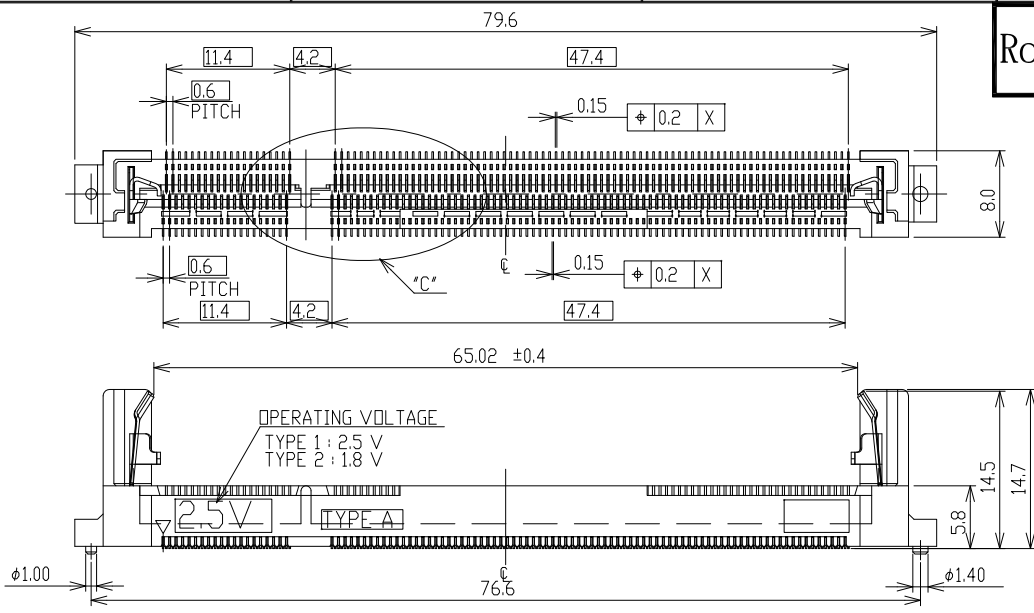
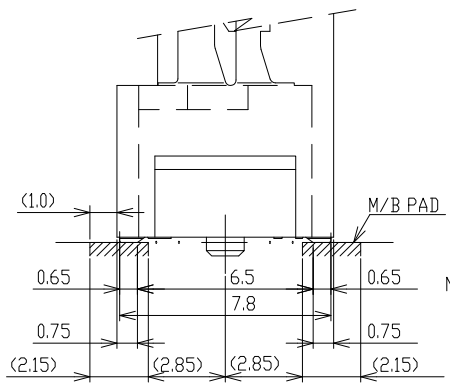
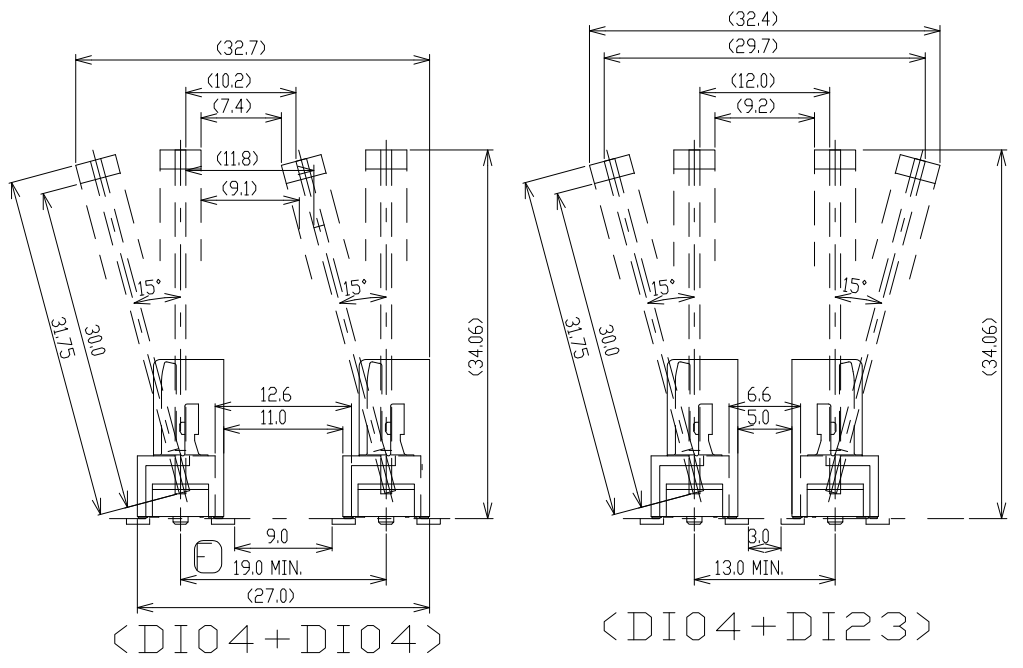


RoHS Compliant

SYMBOL	REV.	REVISION	APPROVAL	DATE
	A	新版圖紙	Winky	2015. 04. 29



DETAIL C
MECHANICAL KEY TYPE



NOTES.

1. MATERIAL; HOUSING: LCP, UL94V-0, COLOR: NATURAL
CONTACT: PHOS-BRO
METAL LATCH: SUS
2. PLATING: CONTACT (CONTACT POINT): Au PLATE
Ni UNDER PLATE
3. MUST BE MEASURED FLOATING AMOUNT OF CONTACT TAILS
FROM DATUM SURFACE IS 0.1mm MAX.
4. TOLERANCES NON-CUMULATIVE

1.8V	TYPE 2	DI04-DVEN5200xLH-2	DI04-DVEN5200TLH-2
2.5V	TYPE 1	DI04-DVEN5200xLH-1	DI04-DVEN5200TLH-1
POWER SUPPLY	KEY TYPE	PART NO. OF CONNECTOR	PART NO. OF PACKAGED PRODUCT (WITH HARD TARY)

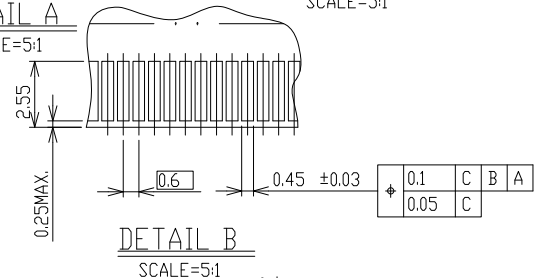
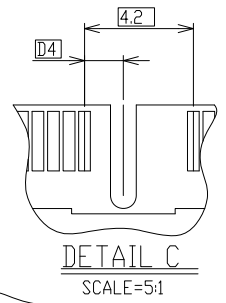
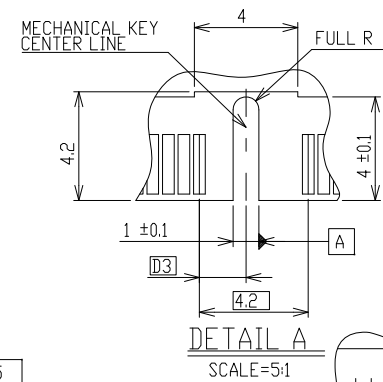
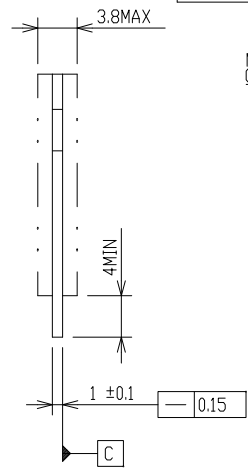
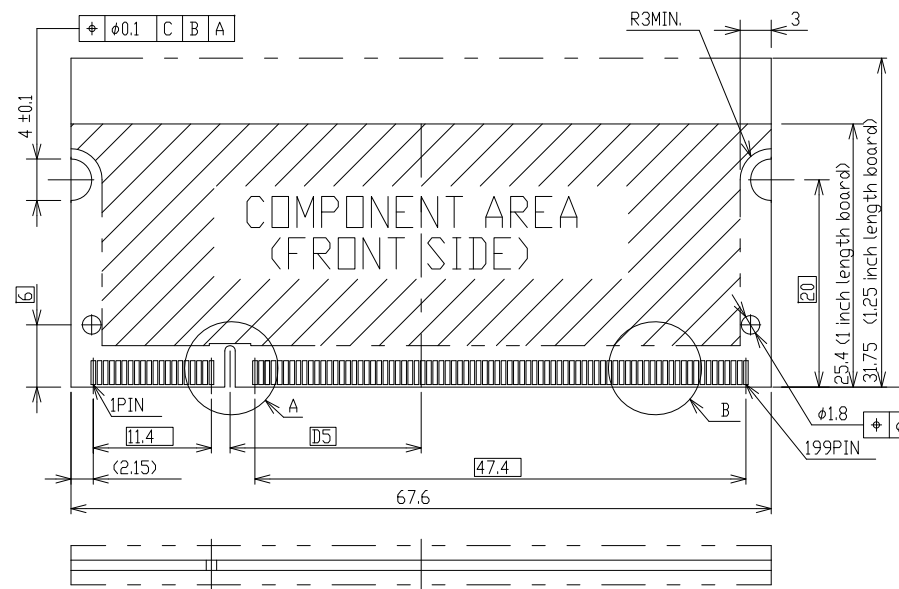
DST-conn Tech. Co., Ltd.

PART NAME	DDR S.O DIMM SOCKET VERTICAL TYPE A FOR 200PIN DDR S.O DIMM	DRAWING	Winky	DWG. No.	DI04
PART NO.	DI04-DVEN5200TLH-x	CHECK	Roy	REV.	A
UNIT : mm	GENERAL TOLERANCE	±0.20	ANGLE	DATE	2015. 04. 29
			±2°	SCALE	1:1

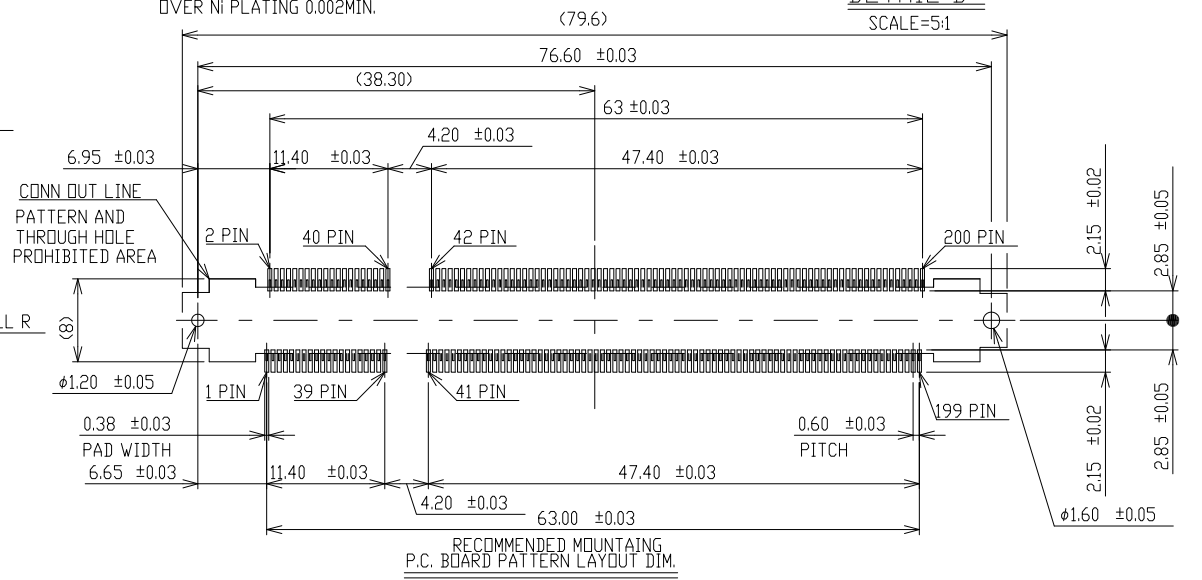
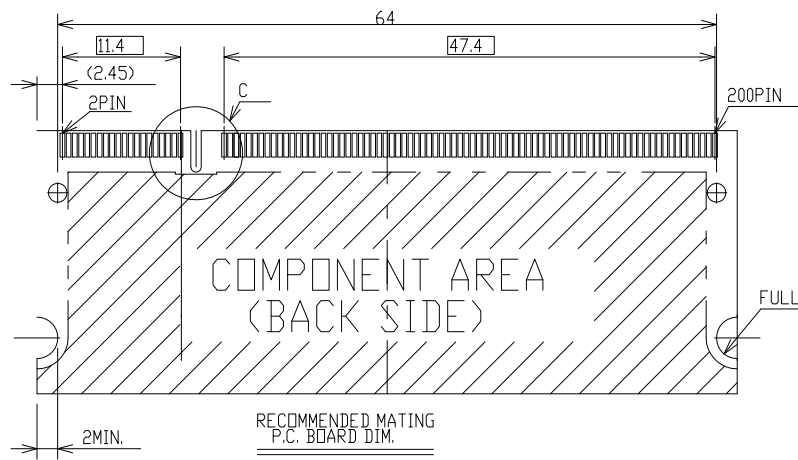
COPYRIGHT RESERVED, PLEASE DO NOT COPY.

RoHS Compliant

SYMBOL	REV.	REVISION	APPROVAL	DATE
	A	新版圖紙	Winky	2015. 04. 29



- NOTES:(APPLIED TO SHEET 2)
1. TOLERANCES ON ALL DIMENSION ± 0.15 UNLESS OTHERWISE SPECIFIED.
 2. P.C. BOARD THICKNESS APPLIES ACROSS TABS AND INCLUDES PLATING AND/OR METALIZATION.
 3. FINISH OF PAD : GOLD PLATING 0.00076MIN. OVER Ni PLATING 0.002MIN.



1.8V	17.55	2.4	2.7
2.5V	18.45	1.5	1.8
POWER SUPPLY	D5	D4	D3

DST-conn Tech. Co., Ltd.

PART NAME	DDR S.O DIMM SOCKET VERTICAL TYPE A FOR 200PIN DDR S.O DIMM	DRAWING	Winky	DWG. No.	D104
PART NO.	DI04-DVEN5200TLH-x	CHECK	Roy	REV.	A
UNIT : mm	GENERAL TOLERANCE	ANGLE	John	DATE	2015. 04. 29
	± 0.20	$\pm 2^\circ$	SCALE	PAGE	2 OF 3

COPYRIGHT RESERVED, PLEASE DO NOT COPY.

F E D C B A

F

E

D

C

B

A

RoHS Compliant

SYMBOL

REV.

REVISION

APPROVAL

DATE

A

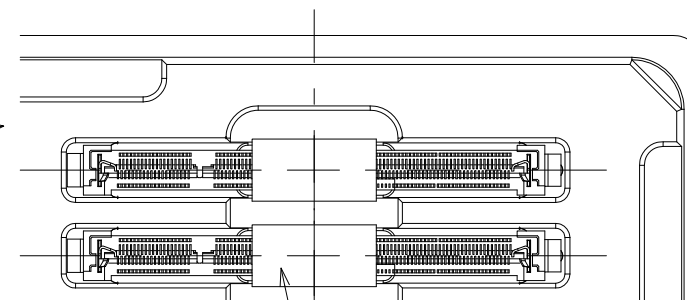
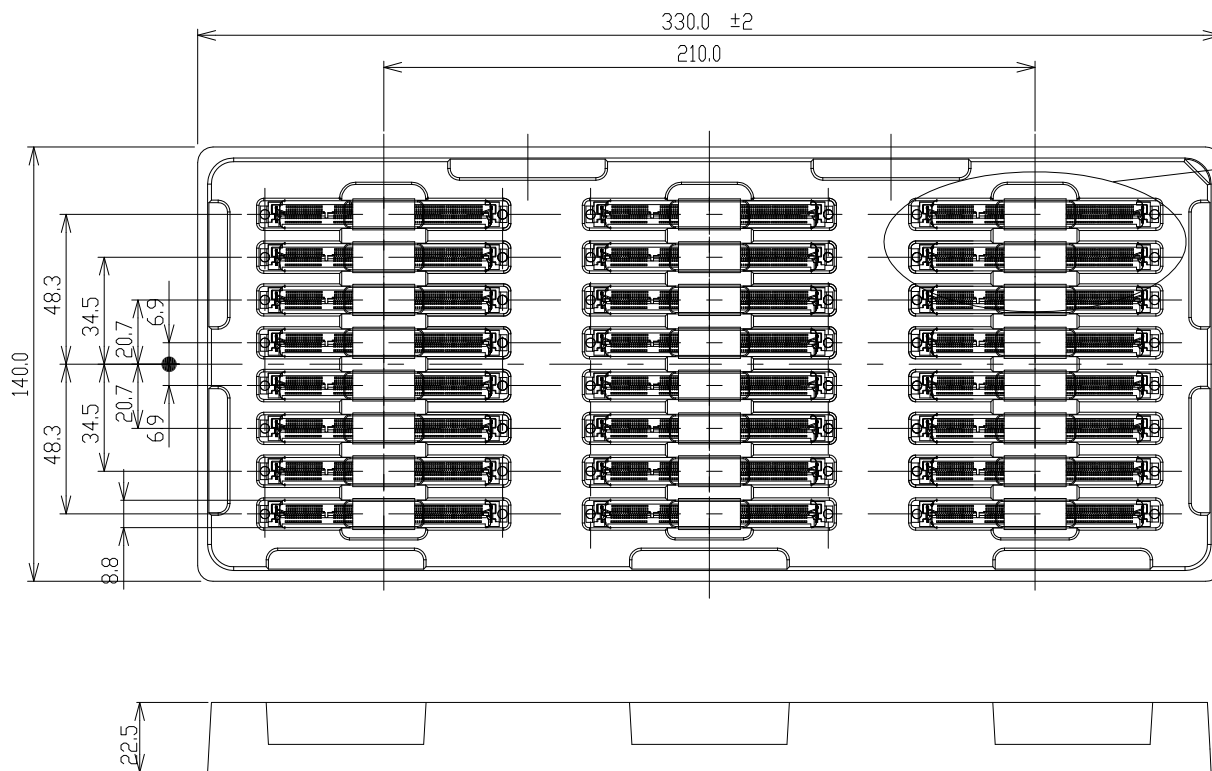
新版圖紙

Winky

2015. 04. 29

330.0 ±2

210.0



吸着実装用テープ、サイズ:10×20mm
TAPE, SIZE: 10X20mm

24	TYPE 2	DI04-DVEN5200xLH-2	DI04-DVEN5200TLH-2
24	TYPE 1	DI04-DVEN5200xLH-1	DI04-DVEN5200TLH-1
QTY.	KEY TYPE	PART NO. OF CONNECTOR	PART NO. OF PACKAGED PRODUCT (WITH SOFT TARY)

DST-conn Tech. Co., Ltd.

COPYRIGHT RESERVED, PLEASE DO NOT COPY.

PART NAME	DDR S.O DIMM SOCKET VERTICAL TYPE A FOR 200PIN DDR S.O DIMM	DRAWING	Winky	DWG. No.	DI04
PART NO.	DI04-DVEN5200TLH-x	CHECK	Roy	REV.	A
	UNIT : mm	GENERAL TOLERANCE	±0.50	ANGLE	±2°
				APPROVAL	John
				SCALE	1:1
				DATE	2015. 04. 29
				PAGE	1 OF 3

F

E

D

C

B

A