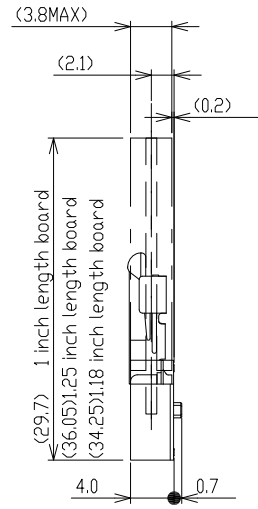
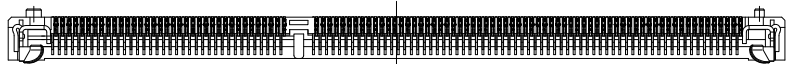


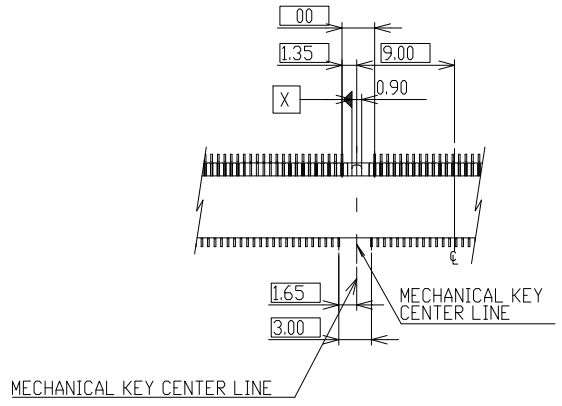
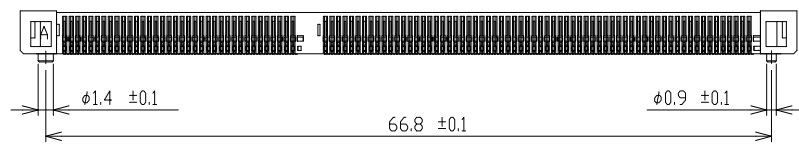
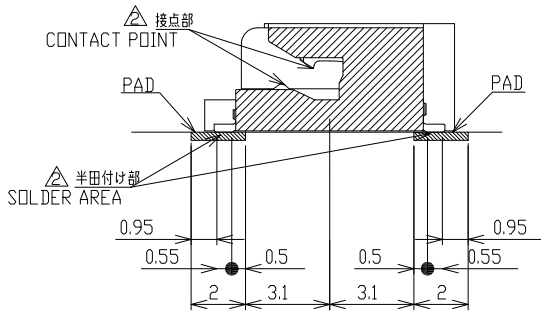
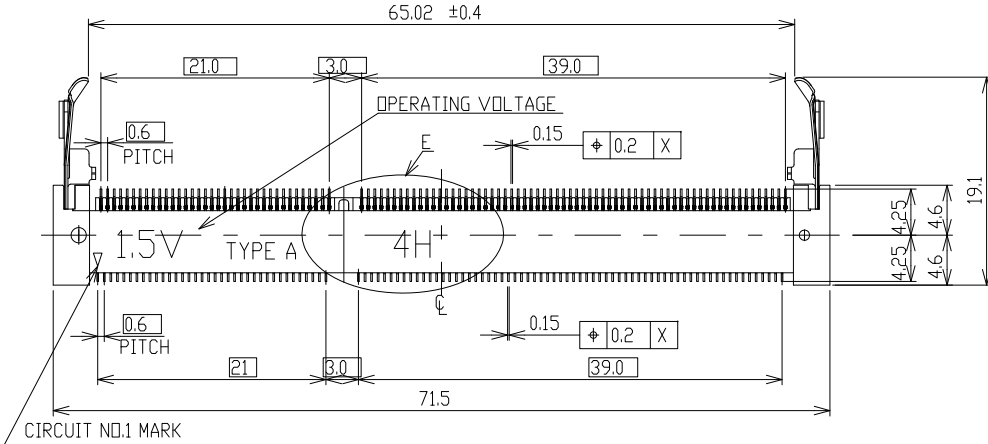
RoHS Compliant

SYMBOL	REV.	REVISION	APPROVAL	DATE
	A	新版圖紙	Winky	2015. 04. 29



NOTES.

- 1.MATERIAL;HOUSING:LCP,UL 94V-0,COLOR:BLACK
CONTACT:COPPER ALLOY
METAL LATCH:SUS
- 2.PLATING ; CONTACT(CONTACT POINT,SOLDER AREA) :
Au PLATE 0.0075μm MIN ,Ni UNDER PLATE 1.5μm MIN.
- 3.MUST BE MEASURED FLOATING AMOUNT OF CONTACT TAILS
FROM DATAM SURFACE IS 0.1mm MAX.
- 4.NOT TO SCALE.
- 5.TOLERANCES NON-CUMULATIVE
- 6.FOR SOCKET OF THE OTHER COMPANIES



DETAIL E
MECHANICAL KEY TYPE

1.5V	DI05-DSEB0204xLH	DI05-DSEB0204TLH	DI05-DSEB0204RLH
POWER SUPPLY	PART NO. OF CONNECTOR	PART NO. OF PACKAGED PRODUCT (WITH SOFT TARY)	PART NO. OF PACKAGED PRODUCT (WITH EMBOSS TAPE)

DST-conn Tech. Co., Ltd.

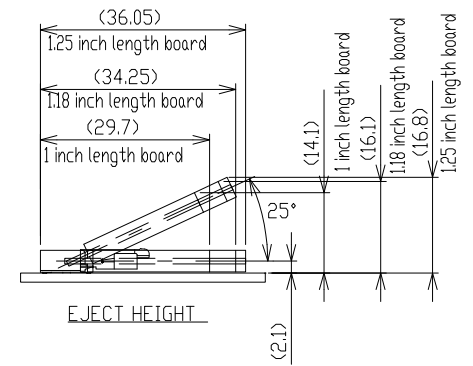
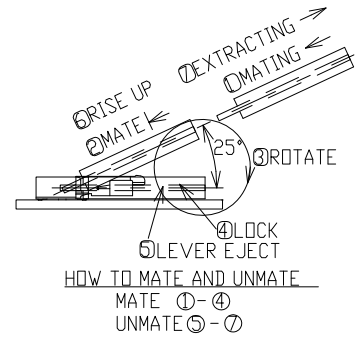
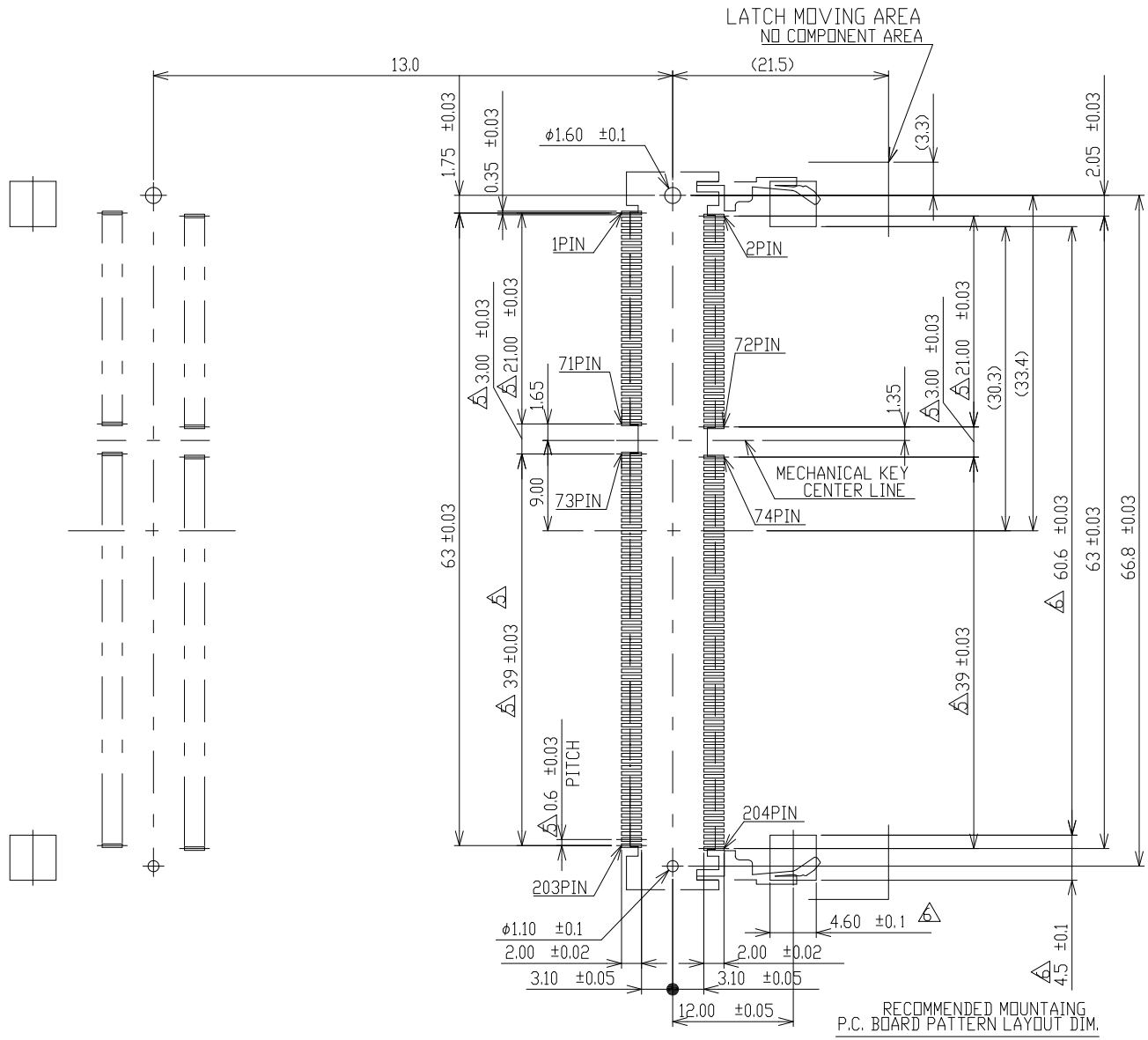
COPYRIGHT RESERVED, PLEASE DO NOT COPY.

PART NAME	DDR S.O DIMM SOCKET H=4.0 TYPE A 204 POSITION	DRAWING	Winky	DWG. No.	DI05
PART NO.	DI05-DSEB0204xLH	CHECK	Roy	REV.	A
UNIT : mm	GENERAL TOLERANCE	±0.20	ANGLE	DATE	2015. 04. 29
			±2°	SCALE	1:1

F E D C B A

RoHS Compliant

SYMBOL	REV.	REVISION	APPROVAL	DATE
	A	新版圖紙	Winky	2015. 04. 29



DST-conn Tech. Co., Ltd.

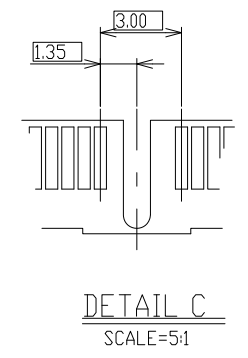
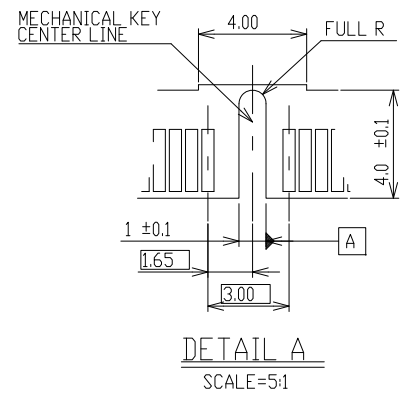
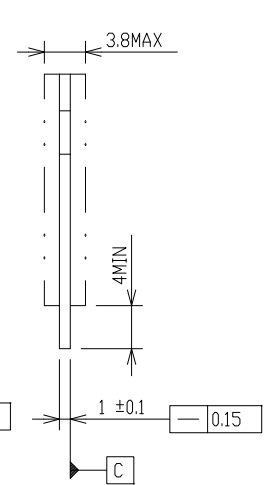
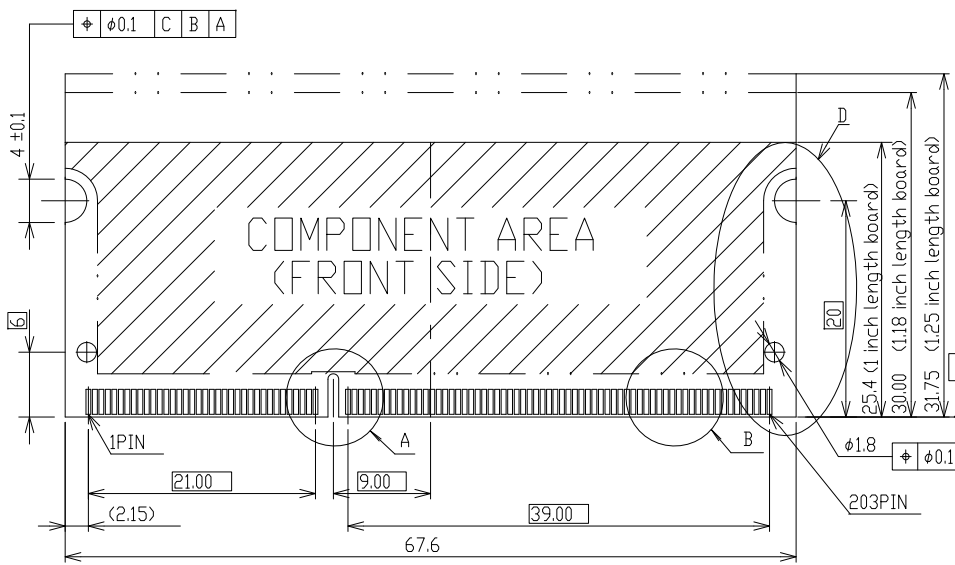
COPYRIGHT RESERVED, PLEASE DO NOT COPY.

PART NAME		DDR S.O DIMM SOCKET H=4.0 TYPE A 204 POSITION		DRAWING		Winky		DWG. No.		D105	
PART NO.		D105-DSEB0204xLH		CHECK		Roy		REV.		A	
UNIT :		GENERAL TOLERANCE		ANGLE		APPROVAL		DATE		2015. 04. 29	
mm		±0.20		±2°		SCALE		PAGE		2 OF 5	

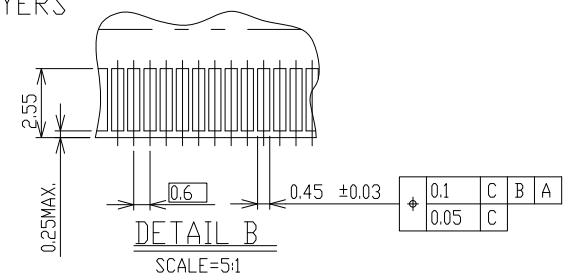
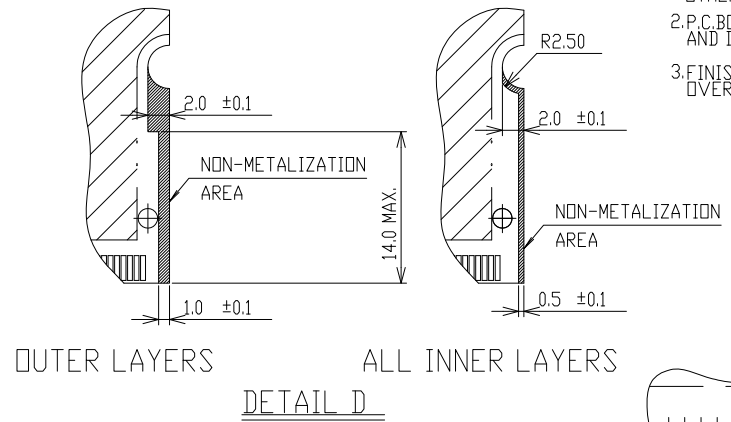
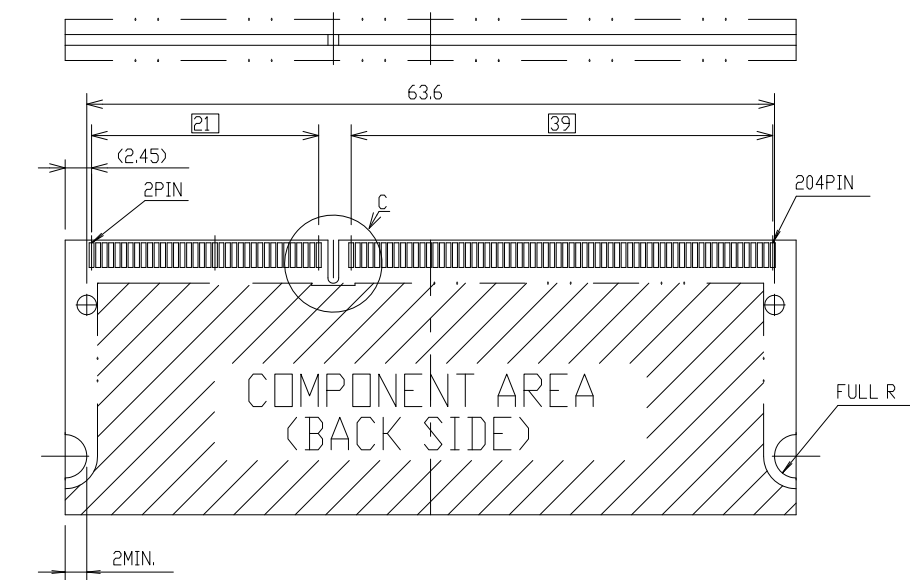
F E D C B A

RoHS Compliant

SYMBOL	REV.	REVISION	APPROVAL	DATE
	A	新版圖紙	Winky	2015. 04. 29



- NOTES:(APPLIED TO SHEET 3)
1. TOLERANCES ON ALL DIMENSION ± 0.15 UNLESS OTHERWISE SPECIFIED.
 2. P.C. BOARD THICKNESS APPLIES ACROSS TABS AND INCLUDES PLATING AND/OR METALIZATION.
 3. FINISH OF PAD : GOLD PLATING 0.00076MIN. OVER NI PLATING 0.002MIN.



RECOMMENDED MATING P.C. BOARD DIM.

DST-conn Tech. Co., Ltd.

PART NAME	DDR S.O DIMM SOCKET H=4.0 TYPE A 204 POSITION	DRAWING	Winky	DWG. No.	D105
PART NO.	D105-DSEB0204xLH	CHECK	Roy	REV.	A
UNIT : mm	GENERAL TOLERANCE	ANGLE	APPROVAL	DATE	2015. 04. 29
			SCALE	PAGE	3 OF 5
	± 0.20	$\pm 2^\circ$			

COPYRIGHT RESERVED, PLEASE DO NOT COPY.

F E D C B A

F

E

D

C

B

A

RoHS Compliant

SYMBOL

REV.

REVISION

APPROVAL

DATE

A

新版圖紙

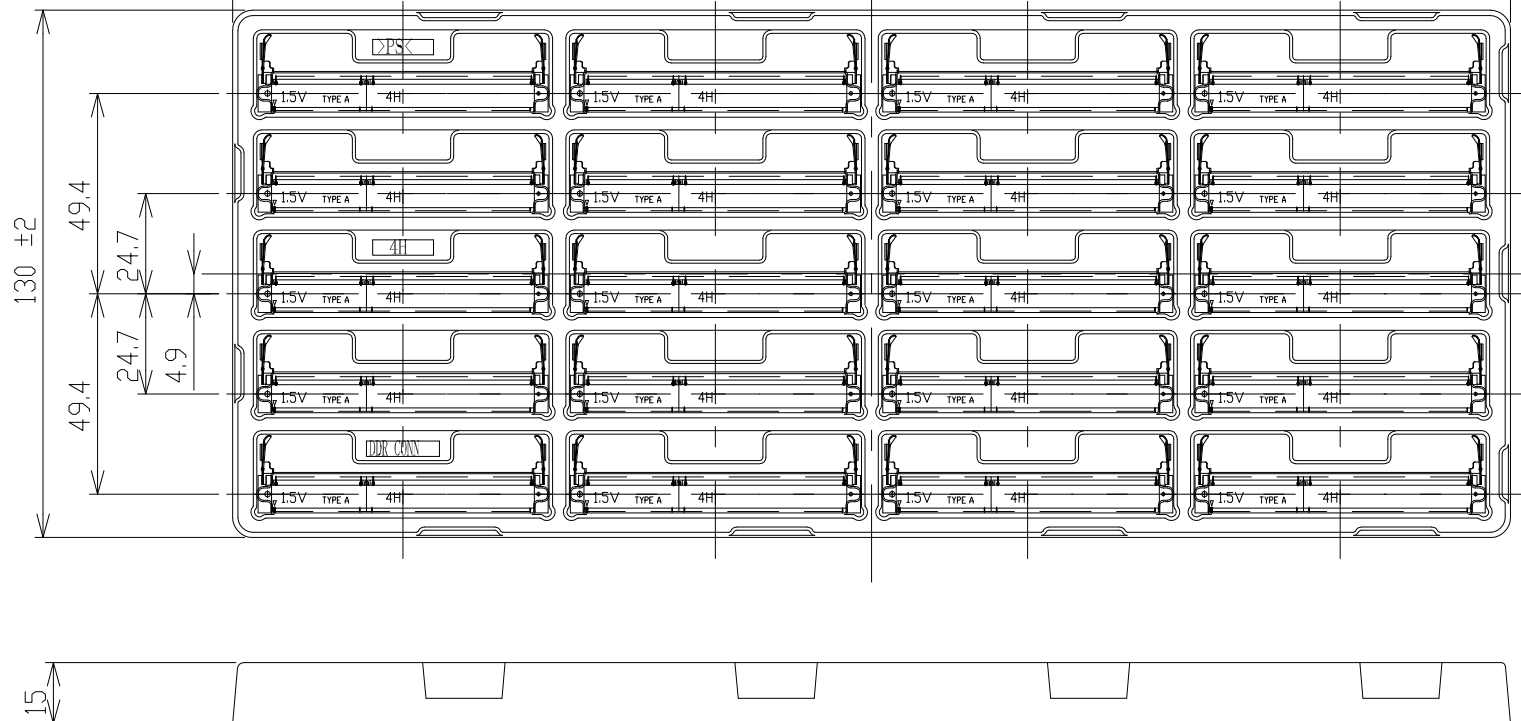
Winky

2015. 04. 29

315 ±2

231

77



SOFT TRAY PACKAGING

20

DI05-DSEB0204xLH

DI05-DSEB0204TLH

QTY.

PART NO. OF
CONNECTORPART NO. OF
PACKAGED PRODUCT
(WITH SOFT TARY)

DST-conn Tech. Co., Ltd.

PART NAME

DDR S.0 DIMM SOCKET H=4.0 TYPE A 204 POSITION

DRAWING

Winky

DWG. No.

DI05

PART NO.

DI05-DSEB0204xLH

CHECK

Roy

REV.

A

UNIT :
mm

GENERAL TOLERANCE

±0.50

ANGLE
±2°

APPROVAL

John

DATE

2015. 04. 29

SCALE

1:1

PAGE

4 OF 5

COPYRIGHT RESERVED, PLEASE DO NOT COPY.

F

E

D

C

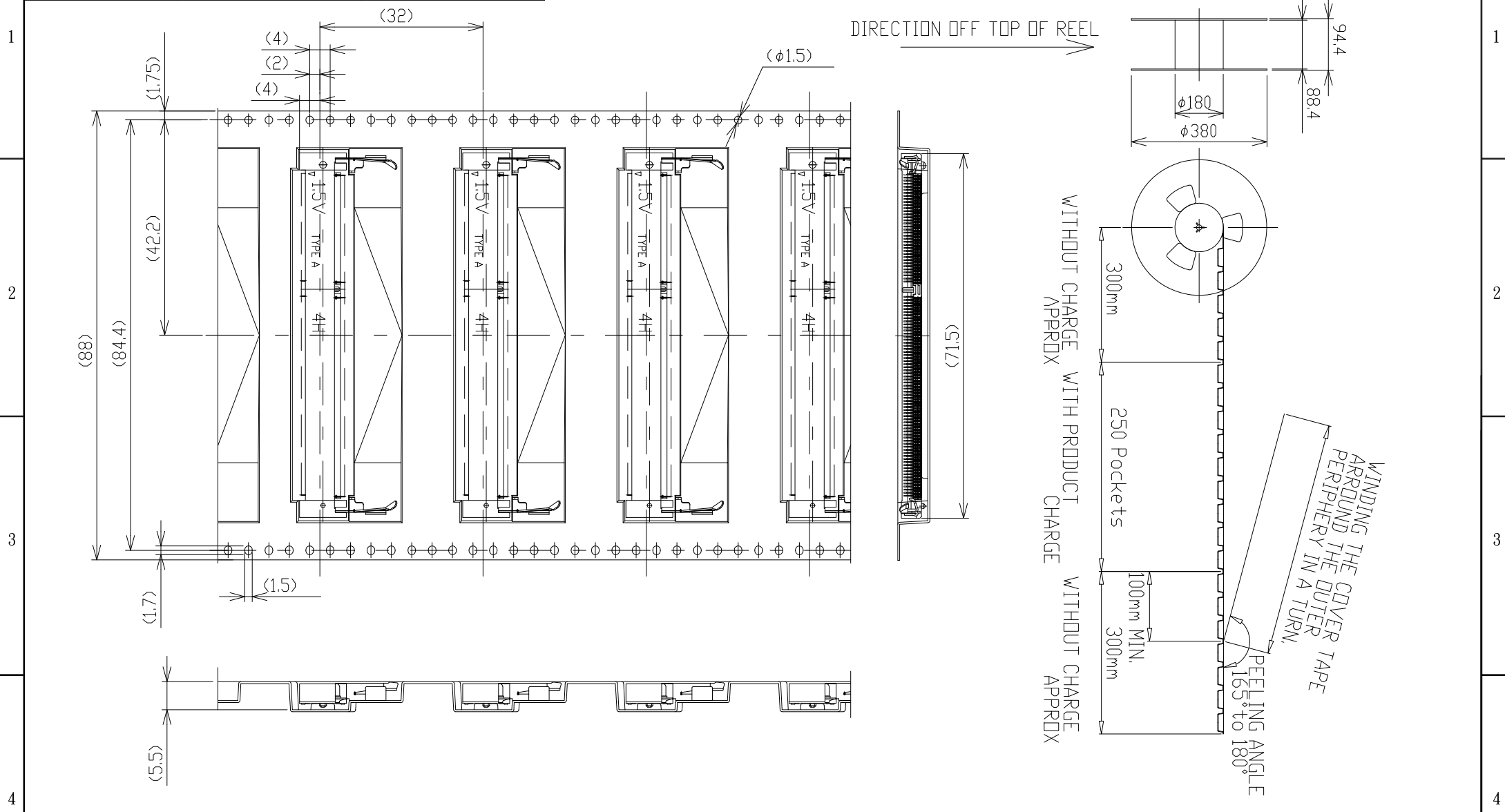
B

A

F	E	D
250	DI05-DSEB0204xLH	DI05-DSEB0204RLH
QTY.	PART NO. OF CONNECTOR	PART NO. OF PACKAGED PRODUCT (WITH EMBOSS TAPE)

RoHS Compliant

C	B	A
SYMBOL	REV.	REVISION
	A	新版圖紙
		APPROVAL
		Winky
		DATE
		2015. 04. 29



DST-conn Tech. Co., Ltd.

COPYRIGHT RESERVED, PLEASE DO NOT COPY.

PART NAME	DDR S.O DIMM SOCKET H=4.0 TYPE A 204 POSITION	DRAWING	Winky	DWG. No.	DI05
PART NO.	DI05-DSEB0204xLH	CHECK	Roy	REV.	A
UNIT : mm	GENERAL TOLERANCE	ANGLE	John	DATE	2015. 04. 29
		±2°	SCALE	PAGE	5 OF 5
	±0.50		1:1		

F E D C B A