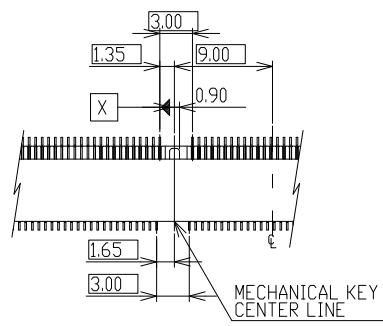
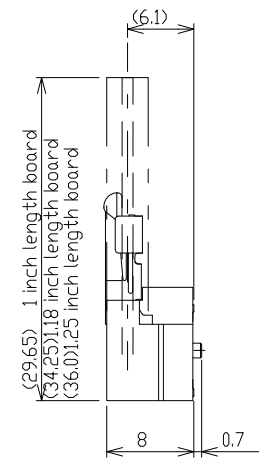
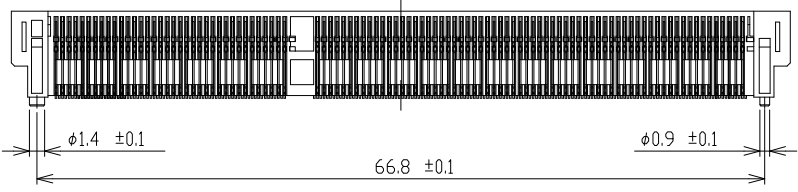
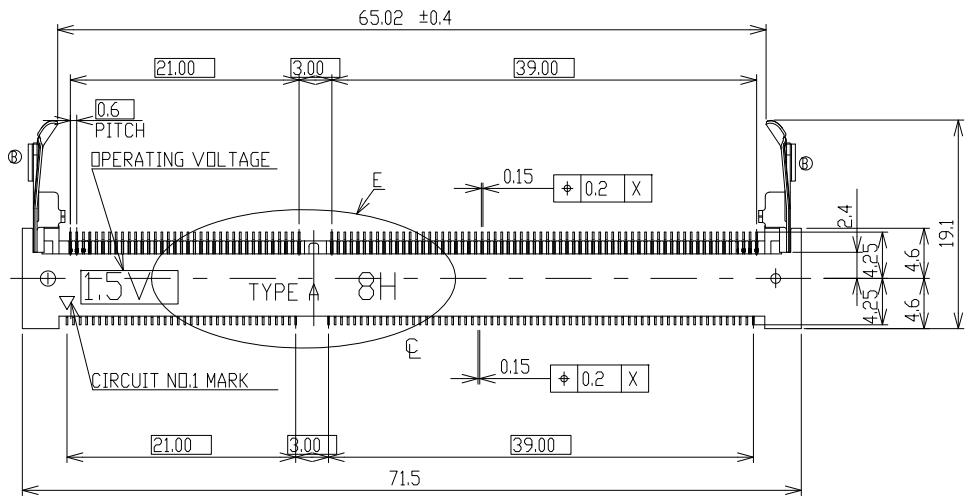
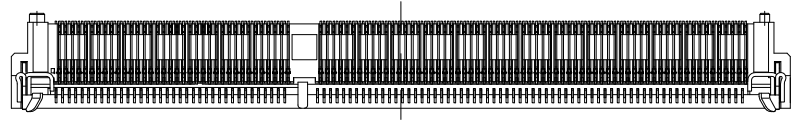


RoHS Compliant

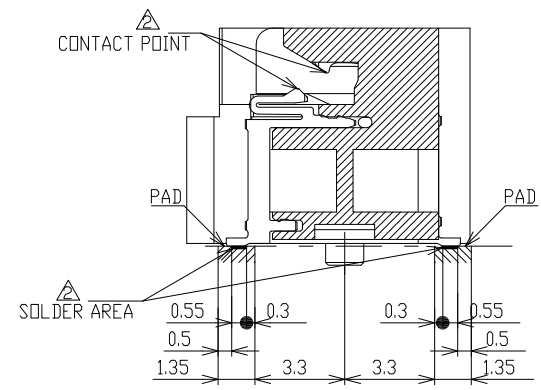
SYMBOL	REV.	REVISION	APPROVAL	DATE
	A	新版圖紙	Winky	2015. 04. 29



DETAIL E

NOTES.

- MATERIAL; HOUSING: LCP, UL 94V-0, COLOR: BLACK  
CONTACT: COPPER ALLOY  
METAL LATCH: SUS
- PLATING; CONTACT (CONTACT POINT, SOLDER AREA):  
Au PLATE 0.0075 μm MIN, NI UNDER PLATE 1.5 μm MIN.
- MUST BE MEASURED FLOATING AMOUNT OF CONTACT TAIL FROM DATUM SURFACE IS 0.1mm MAX.
- NOT TO SCALE.
- TOLERANCES NON-CUMULATIVE
- FOR SOCKET OF THE OTHER COMPANIES
- HALOGEN FREE
- IR REFLOW TEMPERATURE: 245°C FOR 15 SECONDS MAX.



1.5V	DI07-DSEB0204xLH	DI07-DSEB0204TLH	DI07-DSEB0204RLH
POWER SUPPLY	PART NO. OF CONNECTOR	PART NO. OF PACKAGED PRODUCT (WITH HARD TRAY)	PART NO. OF PACKAGED PRODUCT (WITH EMBOSS)

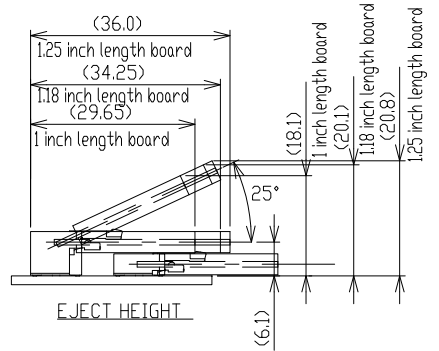
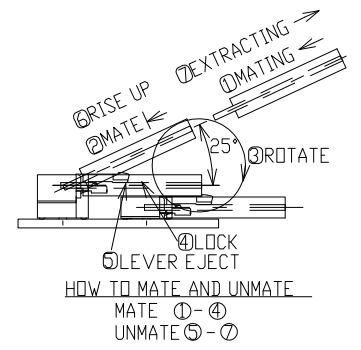
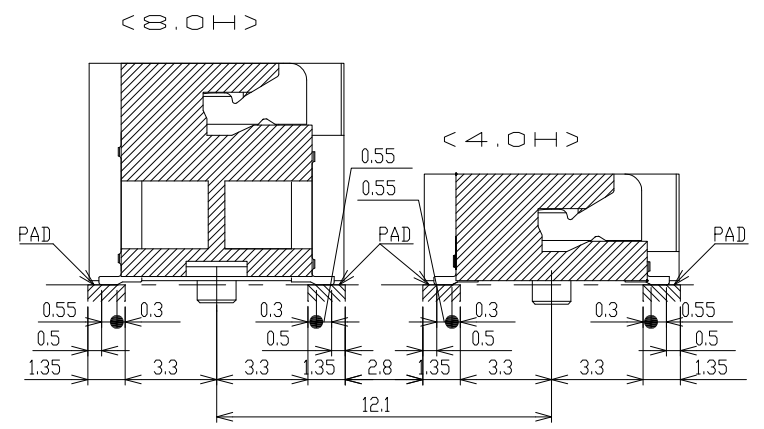
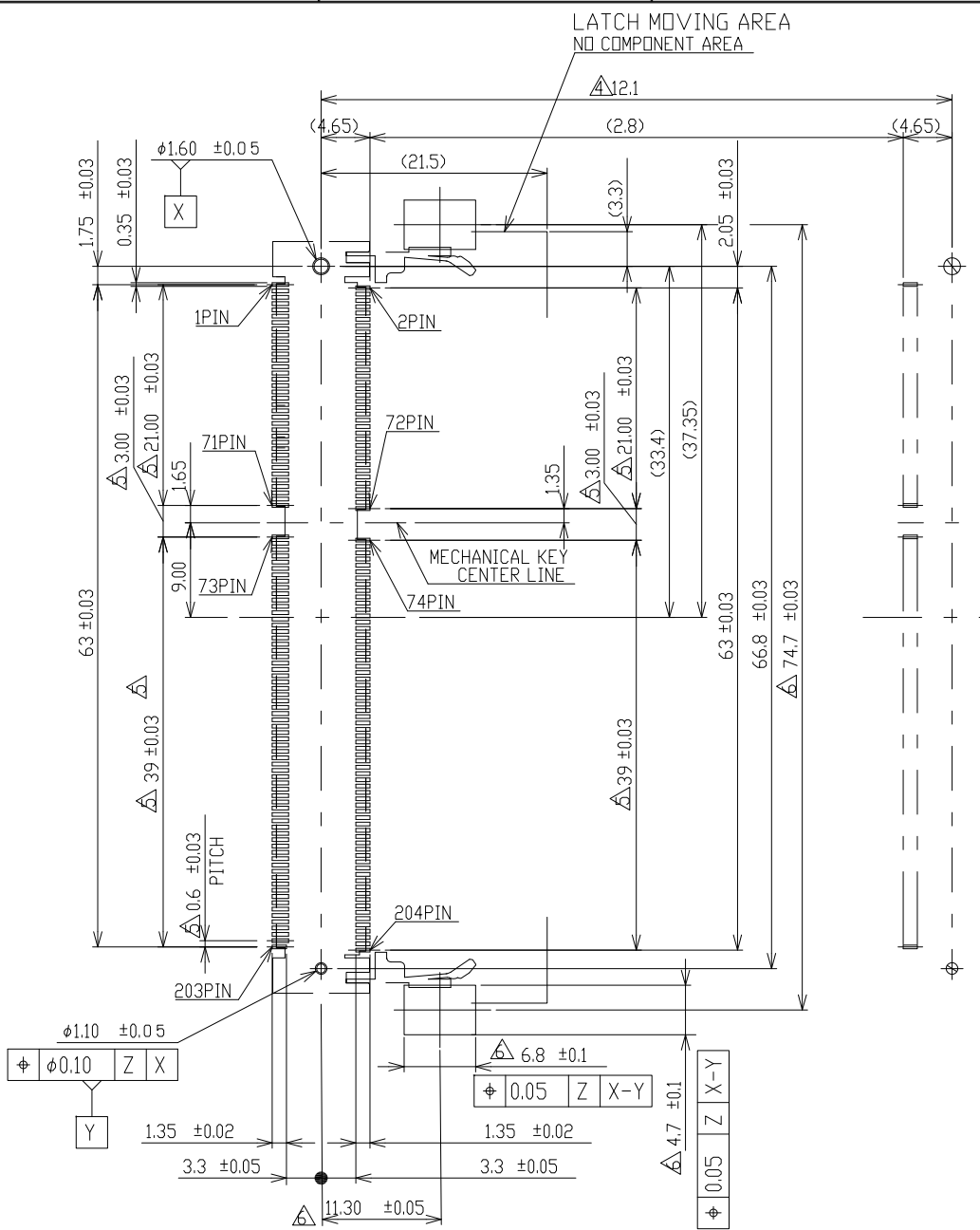
**DST-conn Tech. Co., Ltd.**

COPYRIGHT RESERVED, PLEASE DO NOT COPY.

PART NAME	DDR S.O DIMM SOCKET II-8.0 TYPE A SMALL LATCH FOR 204PIN	DRAWING	Winky	DWG. No.	DI07	
PART NO.	DI07-DSEB0204xLH	CHECK	Roy	REV.	A	
UNIT : mm	GENERAL TOLERANCE	±0.20	APPROVAL	John	DATE	2015. 04. 29
			ANGLE	±2°	SCALE	1:1

RoHS Compliant

SYMBOL	REV.	REVISION	APPROVAL	DATE
	A	新版圖紙	Winky	2015. 04. 29



**DST**-conn Tech. Co., Ltd.

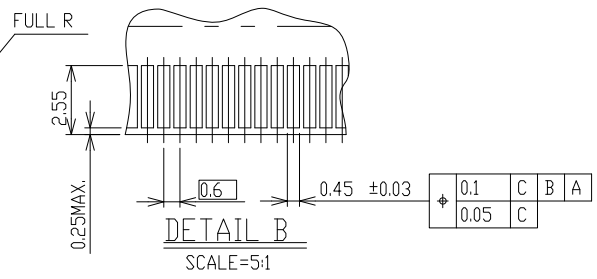
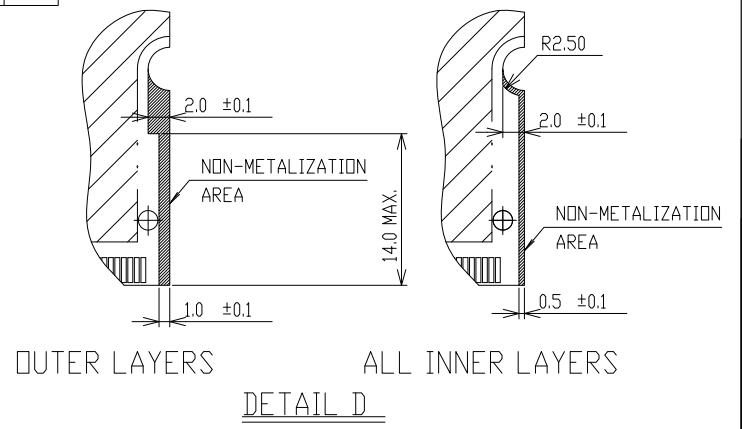
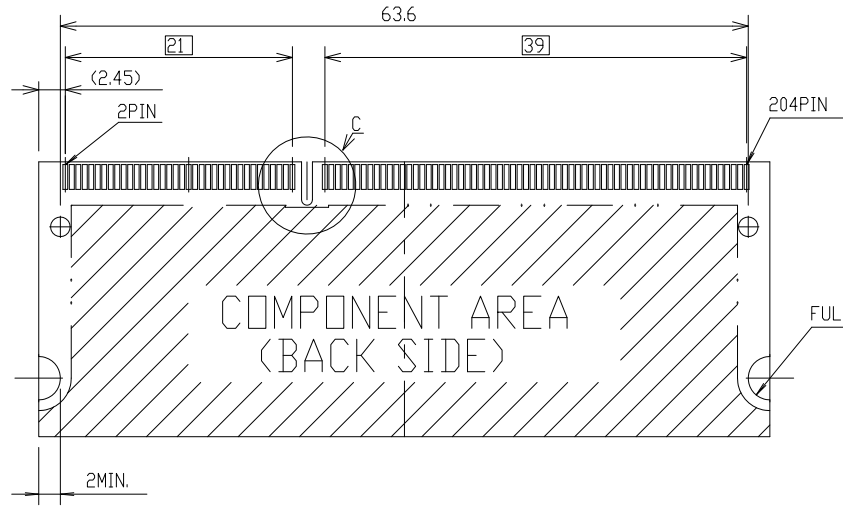
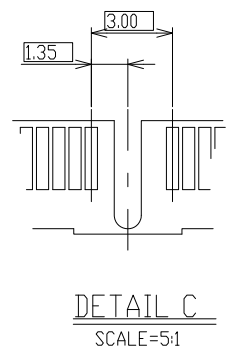
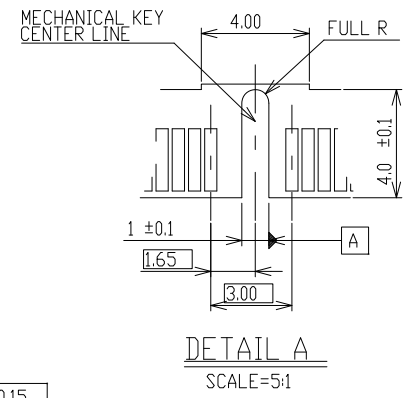
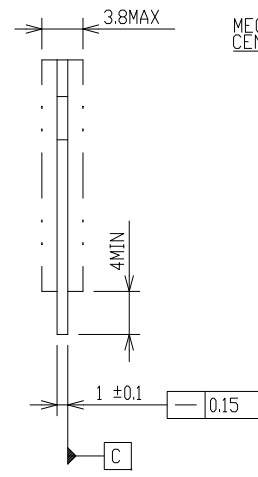
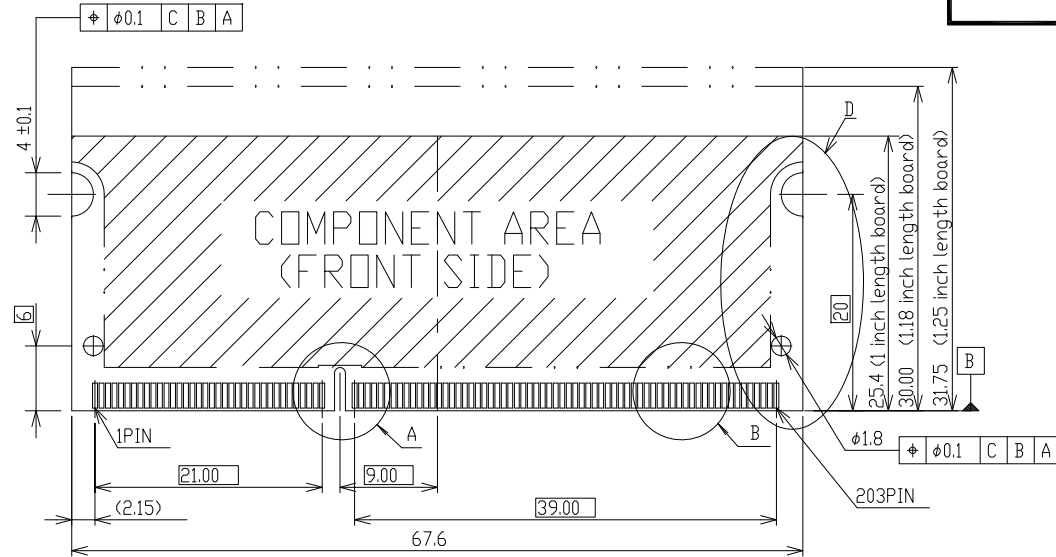
COPYRIGHT RESERVED, PLEASE DO NOT COPY.

PART NAME		DDR S.O DIMM SOCKET H=8.0 TYPE A SMALL LATCH FOR 204PIN		DRAWING		Winky		DWG. No.		D107	
PART NO.		D107-DSEB0204xLH		CHECK		Roy		REV.		A	
UNIT : mm	GENERAL TOLERANCE			±0.20		ANGLE		APPROVAL		John	
						±2°		SCALE		1:1	
								DATE		2015. 04. 29	
								PAGE		2 OF 6	

F E D C B A

RoHS Compliant

SYMBOL	REV.	REVISION	APPROVAL	DATE
	A	新版圖紙	Winky	2015. 04. 29



- NOTES;(APPLIED TO SHEET 3)
1. TOLERANCES ON ALL DIMENSION  $\pm 0.15$  UNLESS OTHERWISE SPECIFIED.
  - 2.P.C.BOARD THICKNESS APPLIES ACROSS TABS AND INCLUDES PLATING AND/OR METALIZATION.
  - 3.FINISH OF PAD : GOLD PLATING 0.00076MIN. OVER Ni PLATING 0.002MIN.

RECOMMENDED MATING  
P.C. BOARD DIM.

**DST**-conn Tech. Co., Ltd.

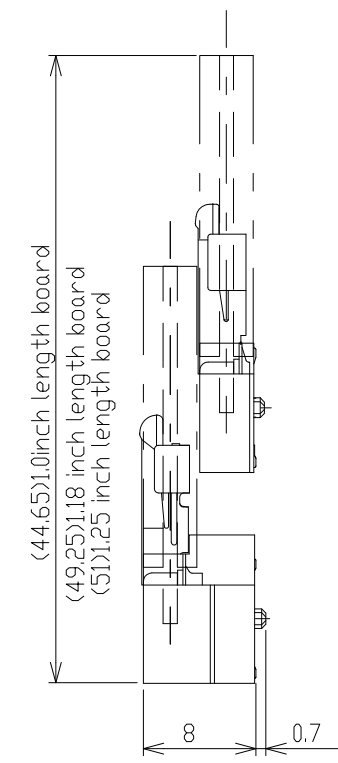
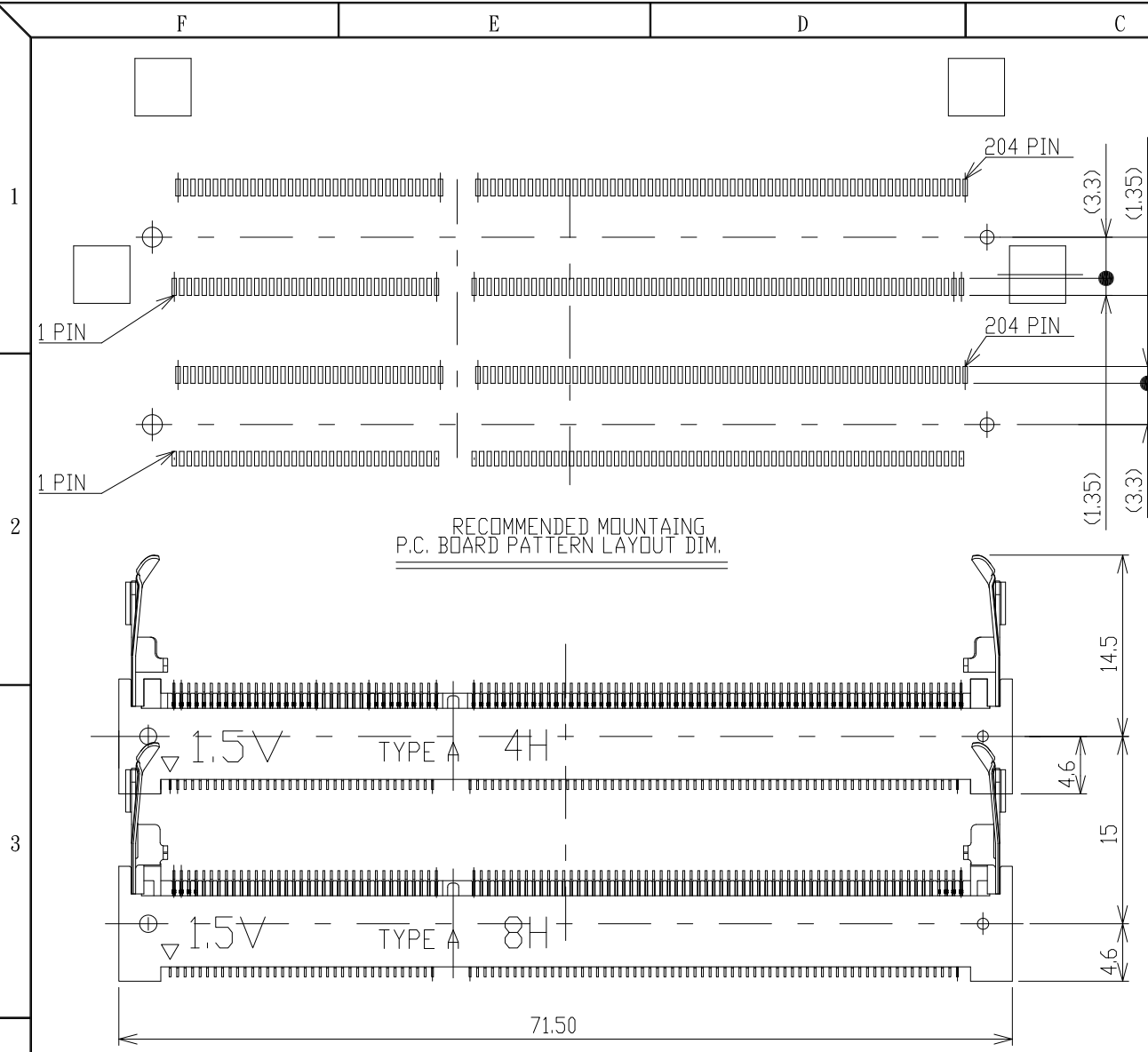
COPYRIGHT RESERVED, PLEASE DO NOT COPY.

PART NAME	DDR S.O DIMM SOCKET II-8.0 TYPE A SMALL LATCH FOR 204PIN	DRAWING	Winky	DWG. No.	D107
PART NO.	D107-DSEB0204xLH	CHECK	Roy	REV.	A
UNIT :	GENERAL TOLERANCE	APPROVAL	John	DATE	2015. 04. 29
mm	$\pm 0.20$	SCALE	1:1	PAGE	3 OF 6

F E D C B A

SYMBOL	REV.	REVISION	APPROVAL	DATE
	A	新版圖紙	Winky	2015. 04. 29

RoHS Compliant



Combination Dimension for H=4.0 connector  
 (Only the combination of the P/N DI05(H=4.0) and DI07(H=8.0) is possible.)

**DST-conn Tech. Co., Ltd.**

COPYRIGHT RESERVED, PLEASE DO NOT COPY.

	PART NAME	DDR S.O DIMM SOCKET H=8.0 TYPE A SMALL LATCH FOR 204PIN	DRAWING	Winky	DWG. No.	DI07
	PART NO.	DI07-DSEB0204xLH	CHECK	Roy	REV.	A
	UNIT :	GENERAL TOLERANCE	APPROVAL	John	DATE	2015. 04. 29
	mm		±0.20	SCALE	1:1	PAGE

F

E

D

C

B

A

RoHS Compliant

SYMBOL

REV.

REVISION

APPROVAL

DATE

A

新版圖紙

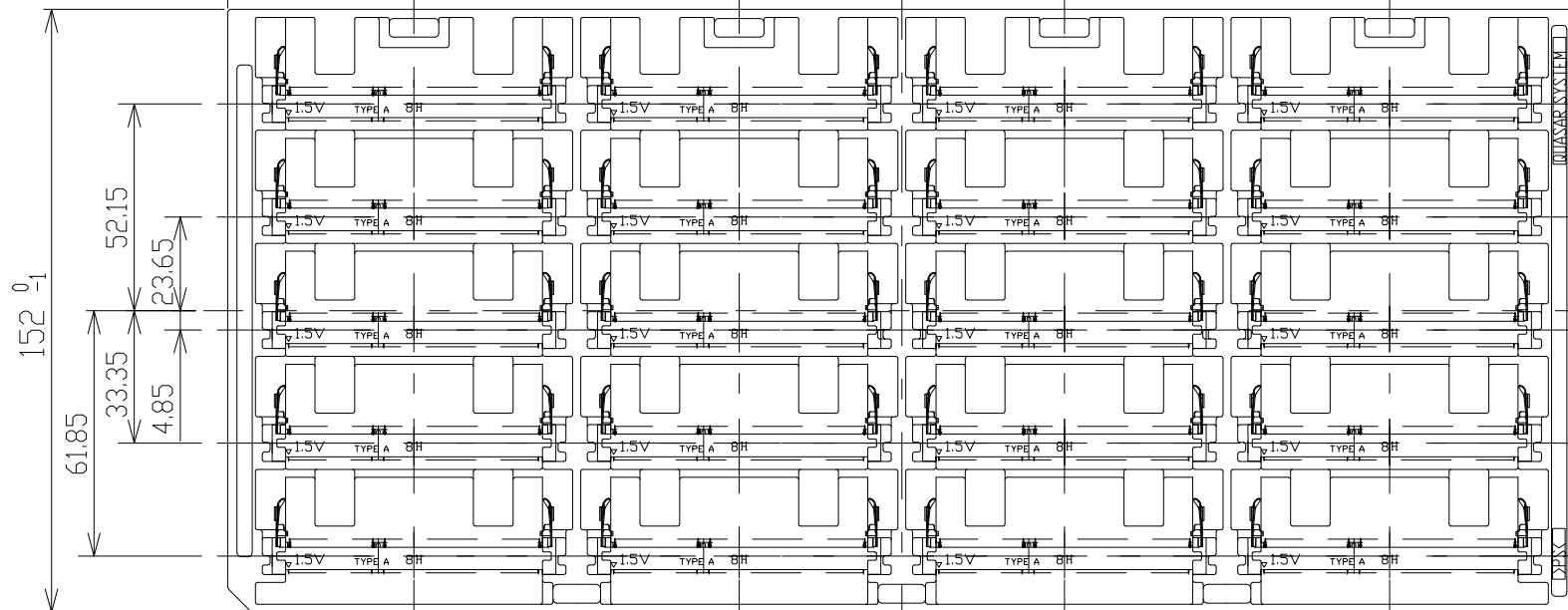
Winky

2015. 04. 29

340<sup>0</sup><sub>-1</sub>

246

82



HARD TRAY PACKAGING

20

DI07-DSEB0204xLH

DI07-DSEB0204TLH

QTY

PART NO. OF CONNECTOR

PART NO. OF PACKAGED PRODUCT (WITH HARD TARY)

**DST**-conn Tech. Co., Ltd.

PART NAME

DDR S.O DIMM SOCKET H=8.0 TYPE A SMALL LATCH FOR 204PIN

DRAWING

Winky

DWG. No.

DI07

PART NO.

DI07-DSEB0204xLH

CHECK

Roy

REV.

A



UNIT : mm

GENERAL TOLERANCE

±0.50

ANGLE

±2°

APPROVAL

John

DATE

2015. 04. 29

SCALE

1:1

PAGE

5 OF 6

COPYRIGHT RESERVED, PLEASE DO NOT COPY.

F

E

D

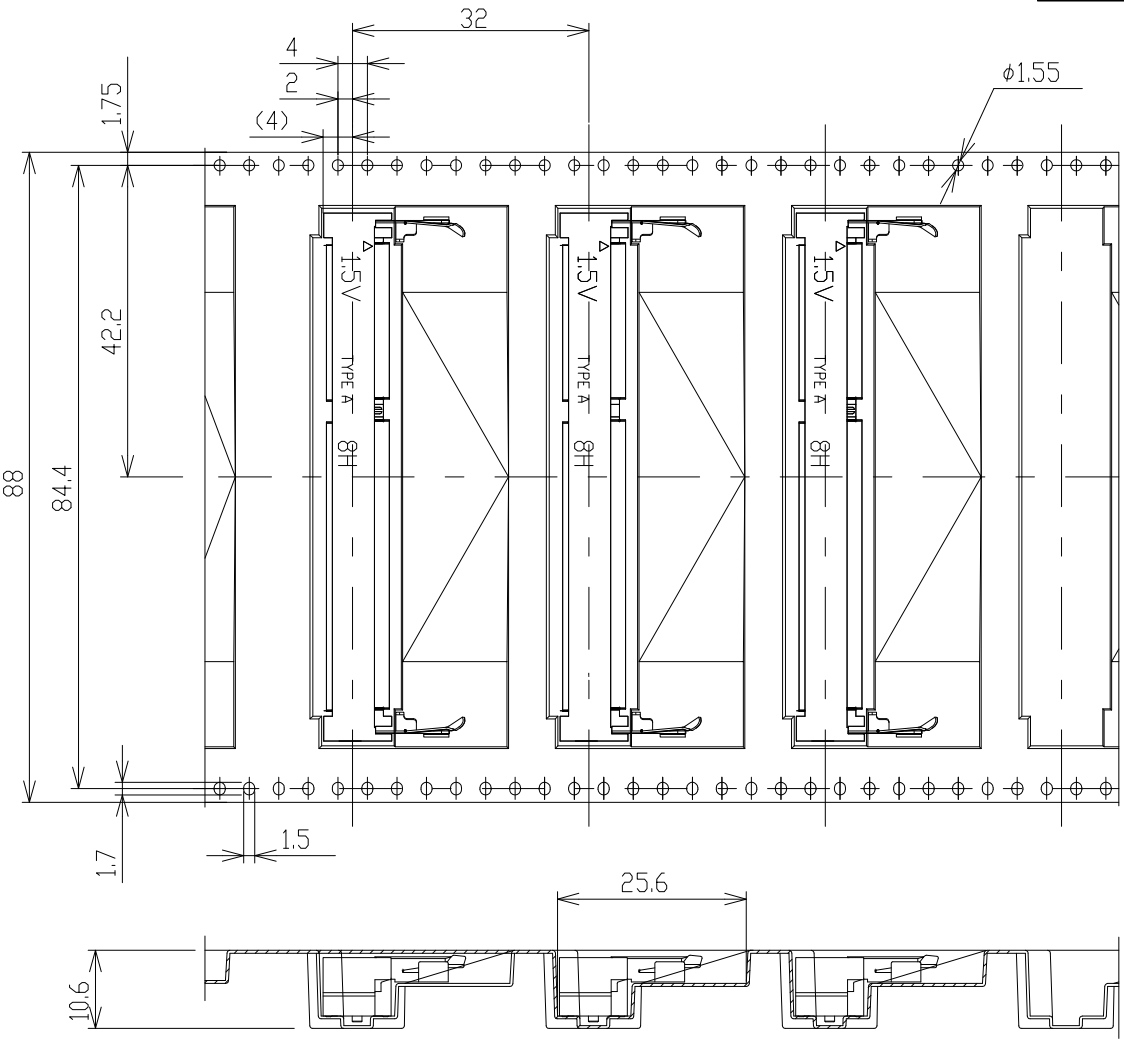
C

B

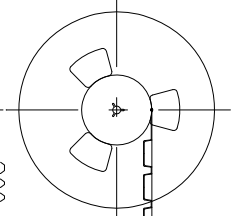
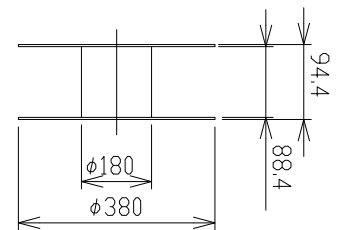
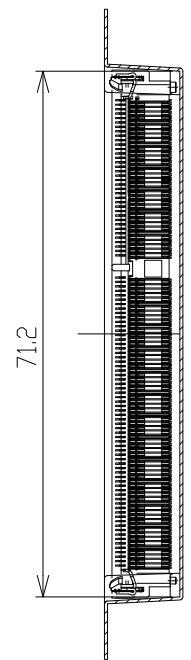
A

RoHS Compliant

SYMBOL	REV.	REVISION	APPROVAL	DATE
	A	新版圖紙	Winky	2015. 04. 29



DIRECTION OFF TOP OF REEL



WITHOUT CHARGE APPRDX WITH PRODUCT CHARGE WITHOUT CHARGE APPRDX

300mm 200 Pockets 100mm MIN. 300mm

PEELING ANGLE 165° to 180°  
WINDING THE COVER TAPE AROUND THE OUTER PERIPHERY IN A TURN.

200	DI07-DSEB0204xLH	DI07-DSEB0204RLH
QTY.	PART NO. OF CONNECTOR	PART NO. OF PACKAGED PRODUCT (WITH EMBOSS TAPE)

**DST-conn Tech. Co., Ltd.**

COPYRIGHT RESERVED, PLEASE DO NOT COPY.

PART NAME	DDR S.O. DIMM SOCKET II-8.0 TYPE A SMALL LATCH FOR 204PIN	DRAWING	Winky	DWG. No.	DI07
PART NO.	DI07-DSEB0204xLH	CHECK	Roy	REV.	A
UNIT :	mm	APPROVAL	John	DATE	2015. 04. 29
GENERAL TOLERANCE	±0.50	SCALE	1:1	PAGE	6 OF 6
ANGLE	±2°				

F E D C B A