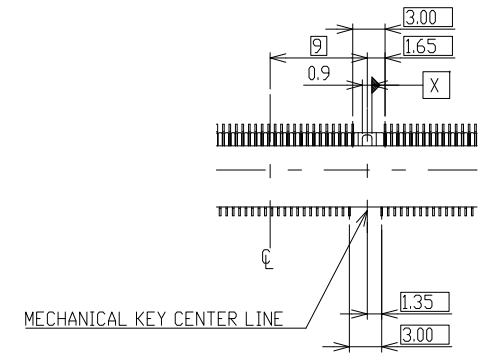
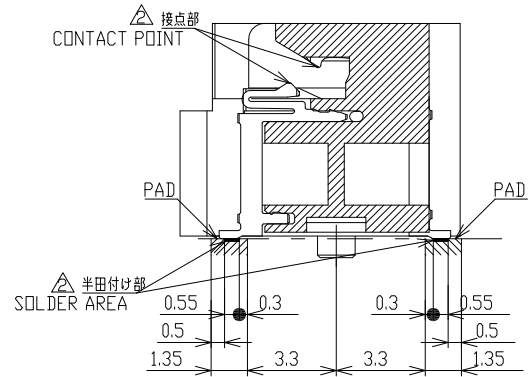
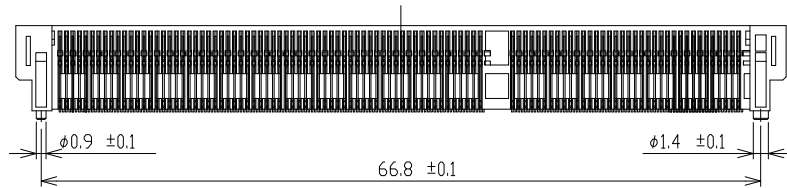
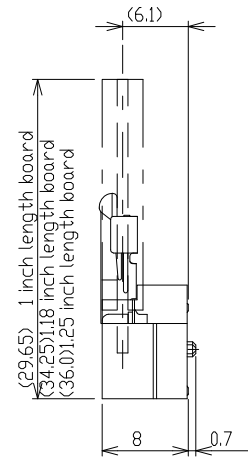
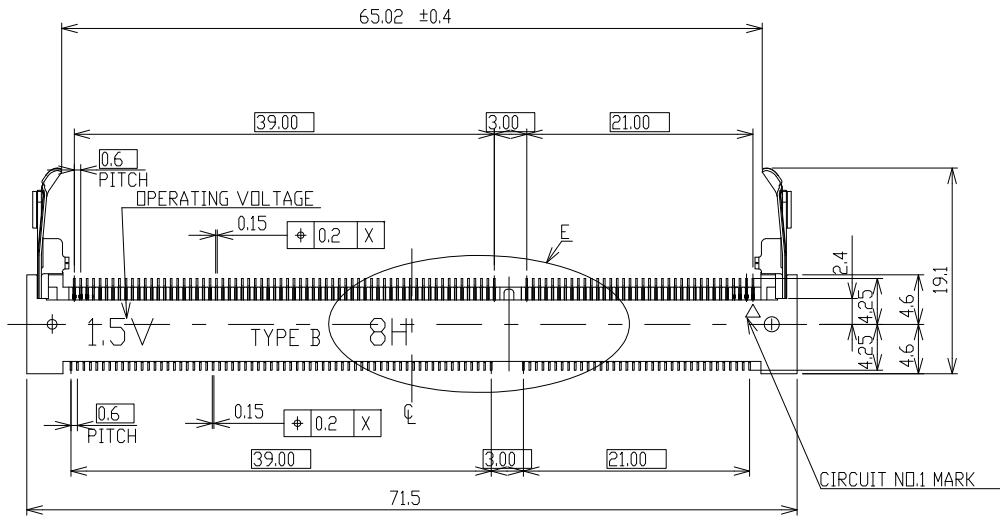
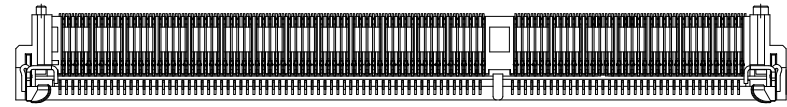


RoHS Compliant

SYMBOL	REV.	REVISION	APPROVAL	DATE
	A	新版圖紙	Winky	2015. 04. 29

NOTES.

- MATERIAL;HOUSING:LCP,UL94V-0,COLOR:BLACK  
CONTACT: COPPER ALLOY  
METAL LATCH:SUS
- PLATING; CONTACT( CONTACT POINT,SOLDER AREA):  
Au PLATE 0.0075μm MIN ,Ni UNDER PLATE 1.5μm MIN.
- MUST BE MEASURED FLOATING AMOUNT OF CONTACT TAILS  
FROM DATAM SURFACE IS 0.1mm MAX.
- NOT TO SCALE.
- TOLERANCES NON-CUMULATIVE
- FOR SOCKET OF THE OTHER COMPANIES
- HALOGEN FREE
- IR REFLOW TEMPERATURE: 245°C FOR 15 SECONDS MAX.



DETAIL E  
MECHANICAL KEY TYPE

1.5V	DI08-DSEB0204xLH	DI08-DSEB0204TLH	DI08-DSEB0204RLH
POWER SUPPLY	PART NO. OF CONNECTOR	PART NO. OF PACKAGED PRODUCT (WITH HARD TARY)	PART NO. OF PACKAGED PRODUCT (WIT EMBOSS TAPE)

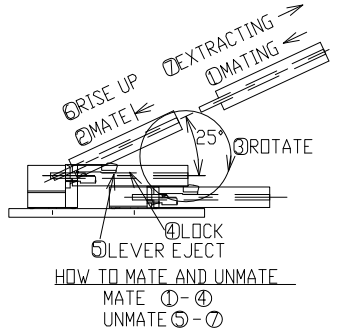
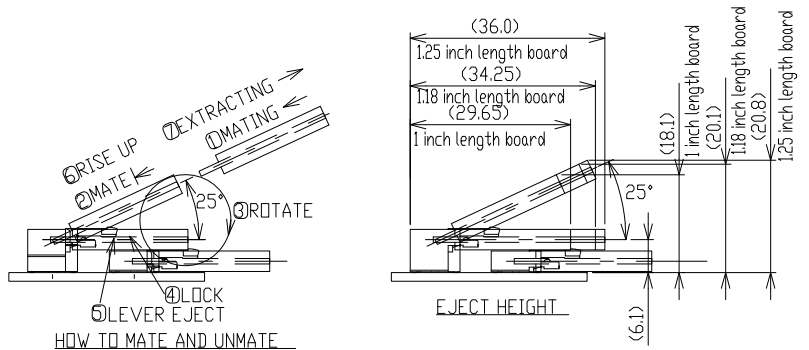
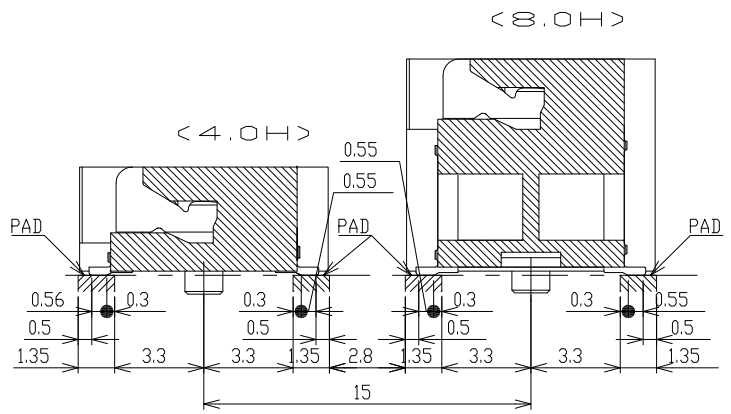
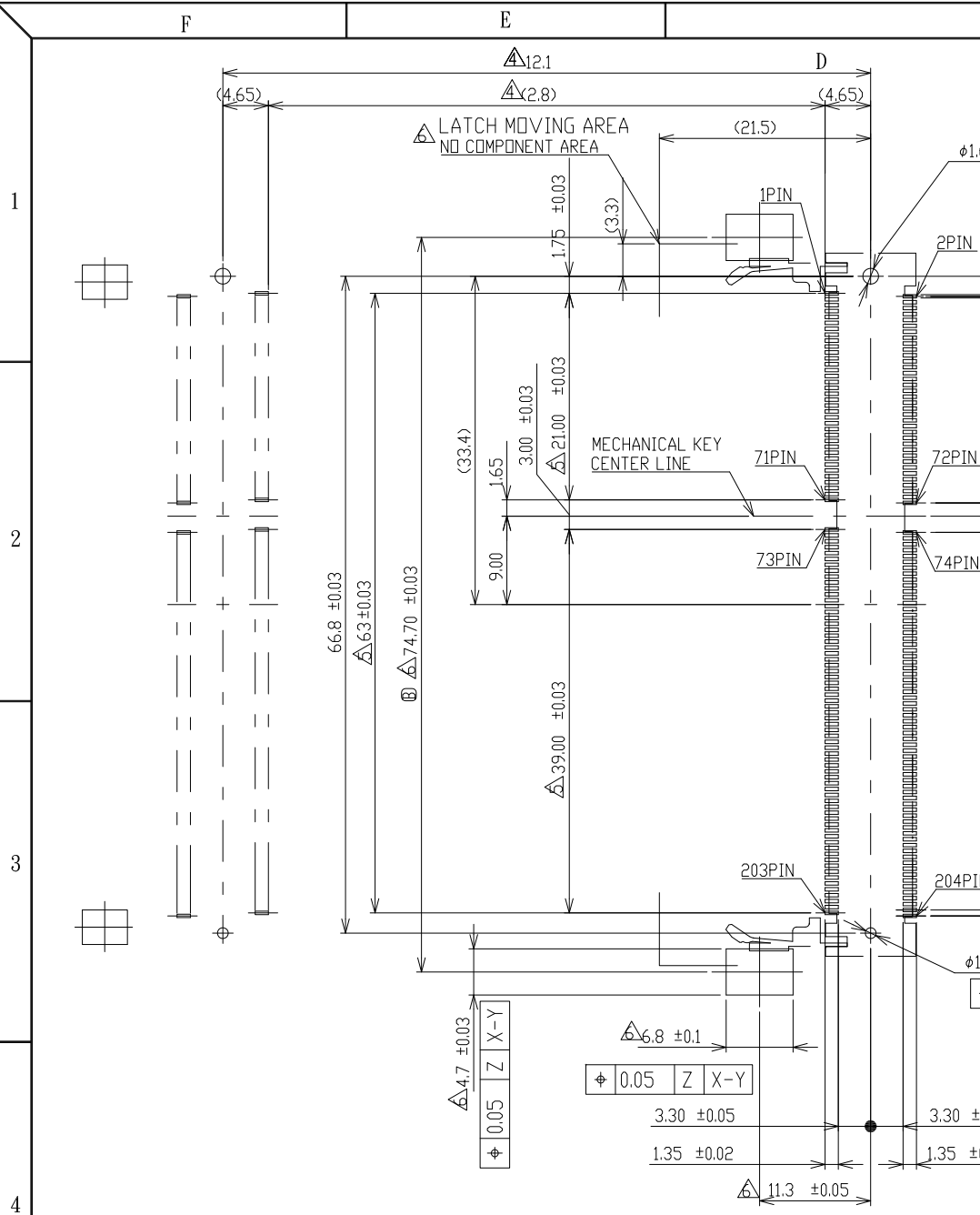
**DST-conn Tech. Co., Ltd.**

COPYRIGHT RESERVED, PLEASE DO NOT COPY.

PART NAME	DDR S.O DIMM SOCKET II-8.0 TYPE B SMALL LATCH FOR 204PIN	DRAWING	Winky	DWG. No.	DI08
PART NO.	DI08-DSEB0204xLH	CHECK	Roy	REV.	A
UNIT : mm	GENERAL TOLERANCE	±0.20	ANGLE	DATE	2015. 04. 29
			±2°	SCALE	1:1

RoHS Compliant

SYMBOL	REV.	REVISION	APPROVAL	DATE
	A	新版圖紙	Winky	2015. 04. 29



RECOMMENDED MOUNTING P.C. BOARD PATTERN LAYOUT DIM.

**DST**-conn Tech. Co., Ltd.

COPYRIGHT RESERVED, PLEASE DO NOT COPY.

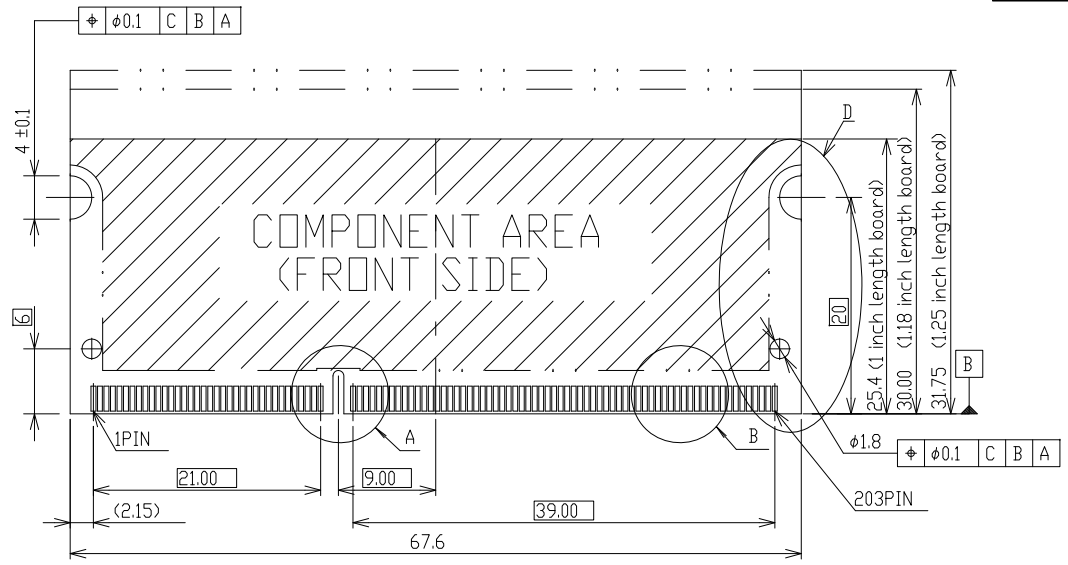
PART NAME	DDR S.O DIMM SOCKET H=8.0 TYPE B SMALL LATCH FOR 204PIN	DRAWING	Winky	DWG. No.	D108
PART NO.	D108-DSEB0204xLH	CHECK	Roy	REV.	A
UNIT : mm	GENERAL TOLERANCE	ANGLE	John	DATE	2015. 04. 29
	±0.20	±2°	SCALE	PAGE	2 OF 6

F E D C B A

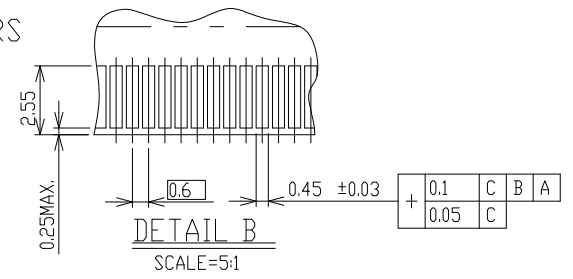
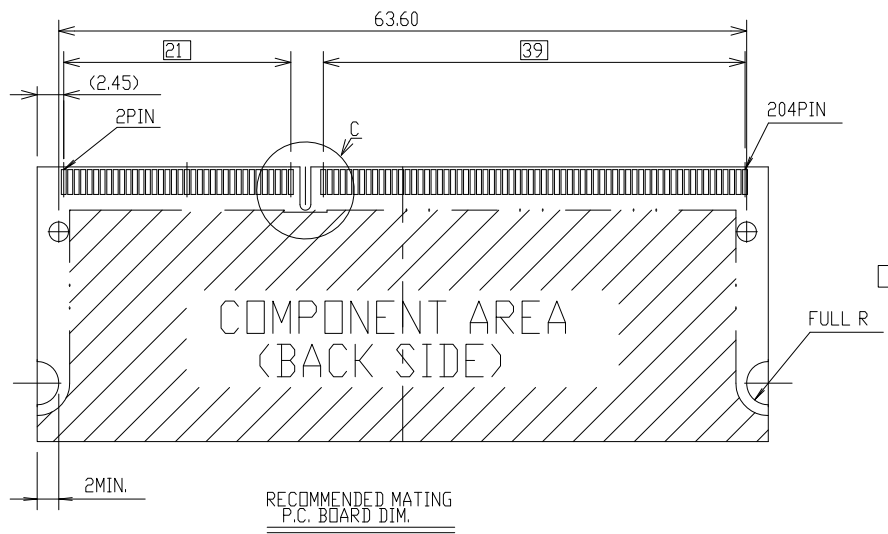
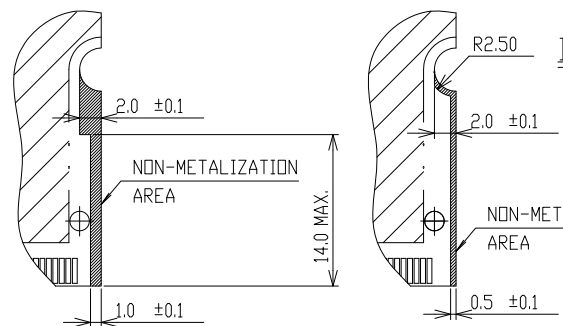
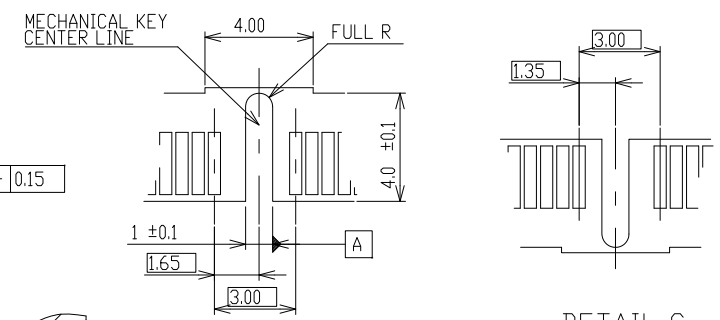
1 2 3 4

RoHS Compliant

SYMBOL	REV.	REVISION	APPROVAL	DATE
	A	新版圖紙	Winky	2015. 04. 29



- NOTES;(APPLIED TO SHEET 3)
1. TOLERANCES ON ALL DIMENSION  $\pm 0.15$  UNLESS OTHERWISE SPECIFIED.
  2. P.C. BOARD THICKNESS APPLIES ACROSS TABS AND INCLUDES PLATING AND/OR METALIZATION.
  3. FINISH OF PAD : GOLD PLATING 0.00076MIN. OVER Ni PLATING 0.002MIN.



**DST**-conn Tech. Co., Ltd.

COPYRIGHT RESERVED, PLEASE DO NOT COPY.

PART NAME	DDR S.O DIMM SOCKET H=8.0 TYPE B SMALL LATCH FOR 204PIN	DRAWING	Winky	DWG. No.	D108	
PART NO.	D108-DSEB0204xLH	CHECK	Roy	REV.	A	
UNIT : mm	GENERAL TOLERANCE	±0.20	APPROVAL	John	DATE	2015. 04. 29
			SCALE	1:1	PAGE	3 OF 6

F E D C B A

F

E

D

C

B

A

RoHS Compliant

SYMBOL

REV.

REVISION

APPROVAL

DATE

新版圖紙

Winky

2015. 04. 29

1

1

2

2

3

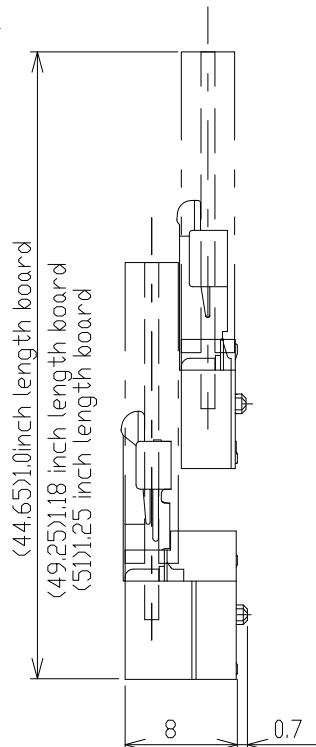
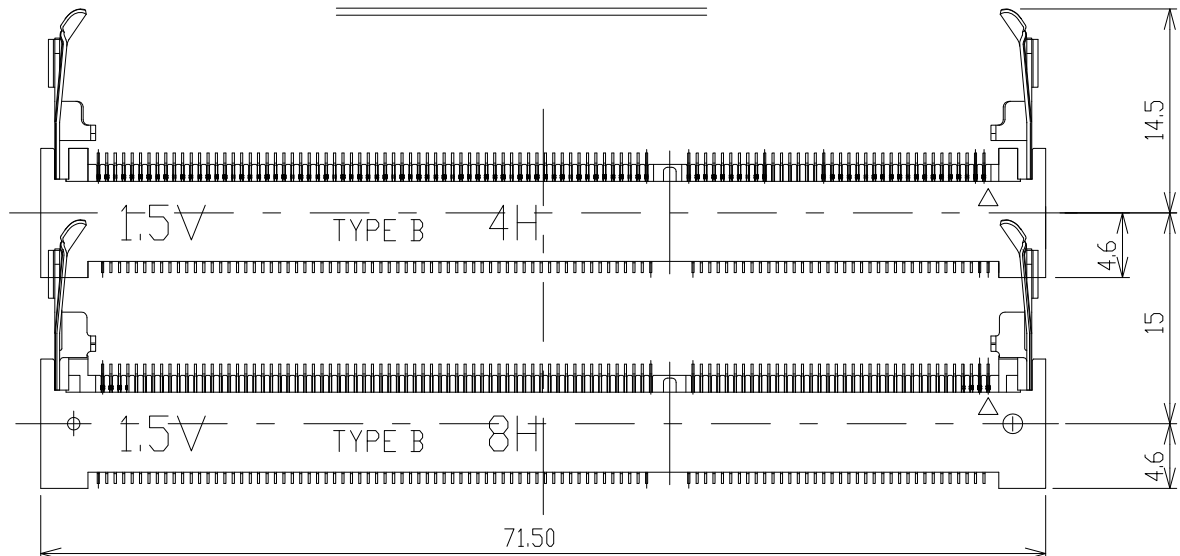
3

4

4



RECOMMENDED MOUNTING P.C. BOARD PATTERN LAYOUT DIM.



Combination Dimension for H=4.0 connector

<Only the combination of the P/N DI06(H=4.0) and DI08(H=8.0) is possible.>

**DST**-conn Tech. Co., Ltd.

PART NAME		DDR S.O DIMM SOCKET H=8.0 TYPE B SMALL LATCH FOR 204PIN		DRAWING		Winky		DWG. No.		DI08	
PART NO.		DI08-DSEB0204xLH		CHECK		Roy		REV.		A	
UNIT : mm	GENERAL TOLERANCE	±0.20	ANGLE ±2°	APPROVAL		John		DATE		2015. 04. 29	
				SCALE		1:1		PAGE		4 OF 6	

COPYRIGHT RESERVED, PLEASE DO NOT COPY.

F

E

D

C

B

A

F

E

D

C

B

A

RoHS Compliant

SYMBOL

REV.

REVISION

APPROVAL

DATE

A

新版圖紙

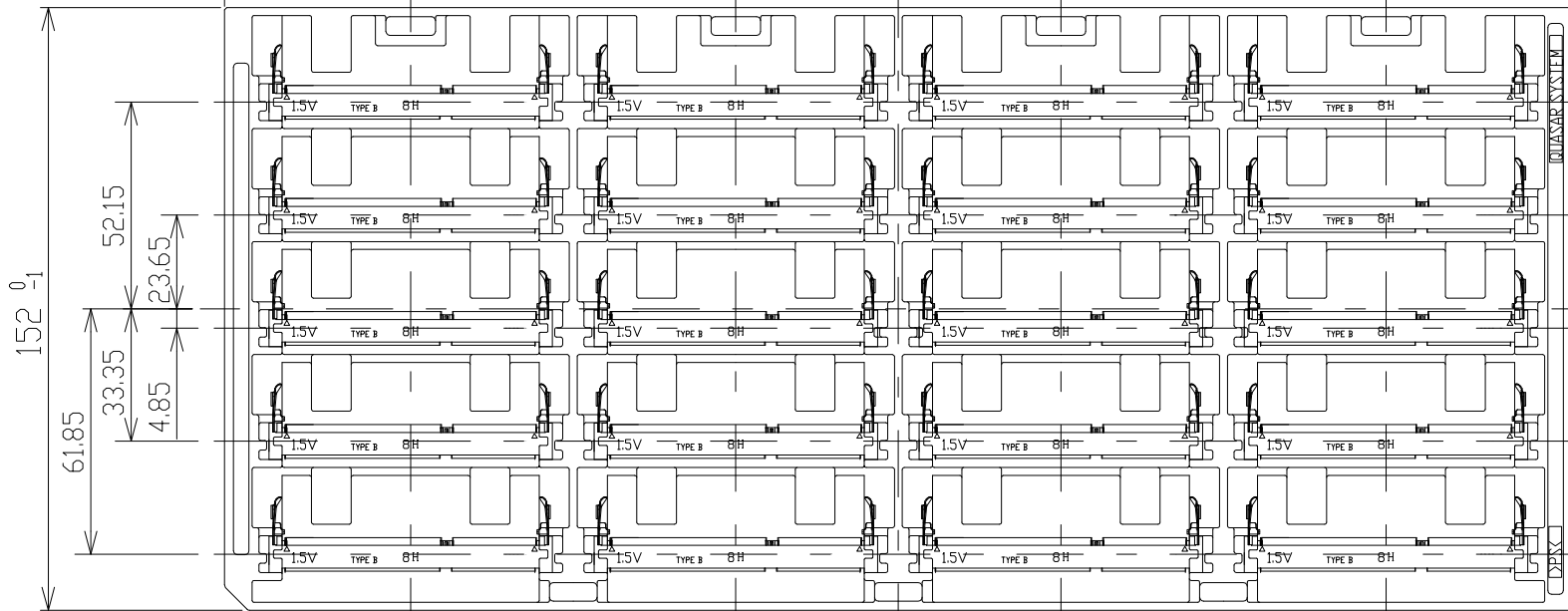
Winky

2015. 04. 29

340<sup>0</sup><sub>-1</sub>

246

82



HARD TRAY PACKAGING

20

DI08-DSEB0204xLH

DI08-DSEB0204TLH

QTY

PART NO. OF CONNECTOR

PART NO. OF PACKAGED PRODUCT (WITH HARD TARY)

**DST**-conn Tech. Co., Ltd.

PART NAME

DDR S.O DIMM SOCKET H=8.0 TYPE B SMALL LATCH FOR 204PIN

DRAWING

Winky

DWG. No.

DI08

PART NO.

DI08-DSEB0204xLH

CHECK

Roy

REV.

A



UNIT :

mm

GENERAL TOLERANCE

±0.50

ANGLE

±2°

APPROVAL

John

DATE

2015. 04. 29

SCALE

1:1

PAGE

5 OF 6

COPYRIGHT RESERVED, PLEASE DO NOT COPY.

F

E

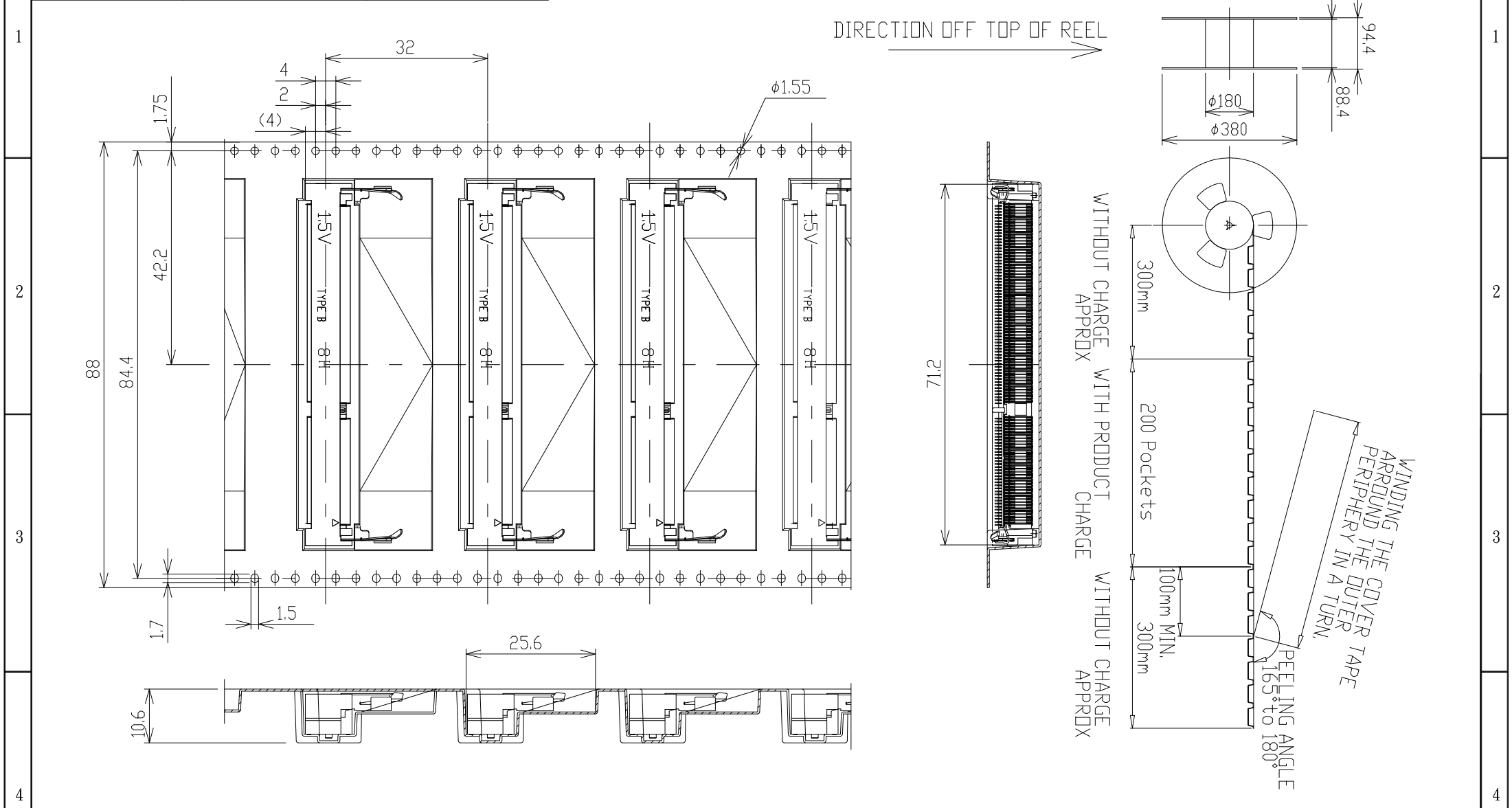
D

C

B

A

F		E		D		C		B		A	
200	DI08-DSEB0204xLH	DI08-DSEB0204RLH		<div style="border: 1px solid black; padding: 2px;">RoHS Compliant</div>		SYMBOL	REV.	REVISION		APPROVAL	DATE
QTY.	PART NO. OF CONNECTOR	PART NO. OF PACKAGED PRODUCT (WITH EMBOSS TAPE)					A	新版圖紙		Winky	2015. 04. 29



**DST-conn Tech. Co., Ltd.**

COPYRIGHT RESERVED, PLEASE DO NOT COPY.

PART NAME		DDR S.O DIMM SOCKET II=8.0 TYPE B SMALL LATCH FOR 204PIN		DRAWING		Winky		DWG. No.		DI08	
PART NO.		DI08-DSEB0204xLH		CHECK		Roy		REV.		A	
UNIT :		GENERAL TOLERANCE		ANGLE		APPROVAL		DATE		2015. 04. 29	
mm		±0.50		±2°		SCALE		PAGE		6 OF 6	

F		E		D		C		B		A	
---	--	---	--	---	--	---	--	---	--	---	--