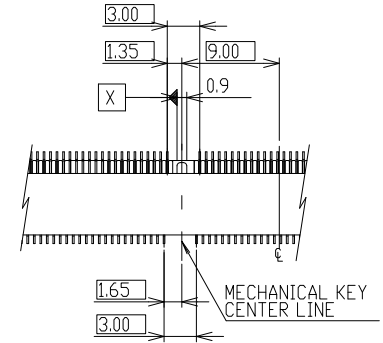
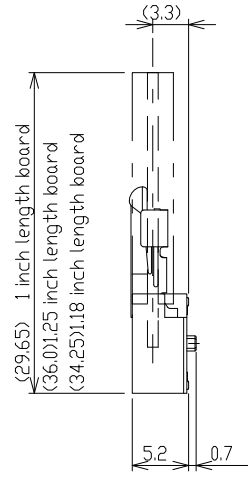
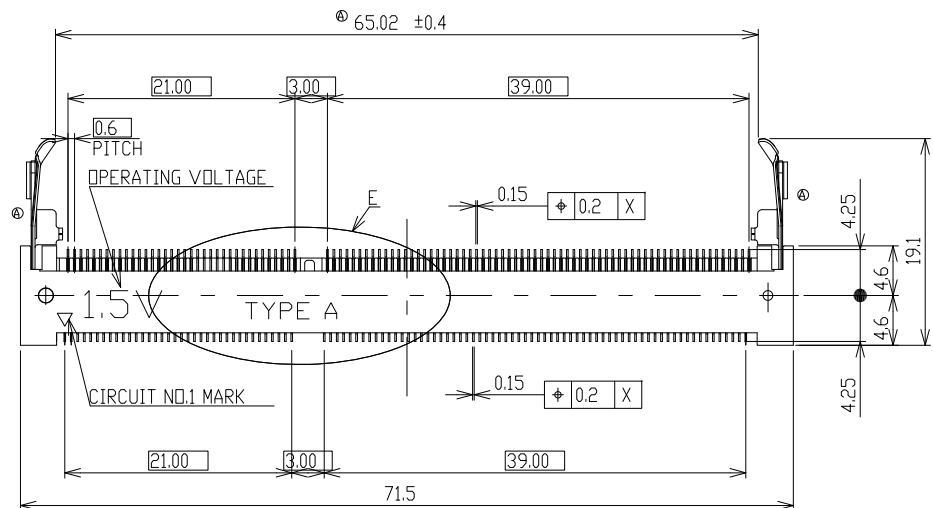
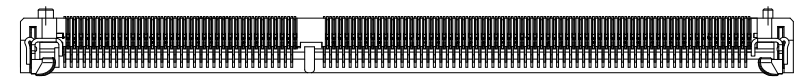
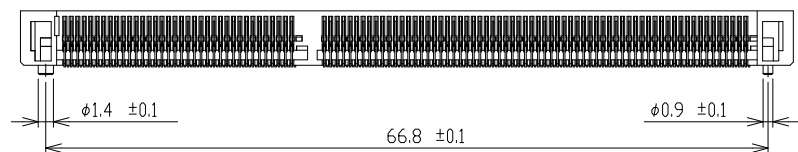
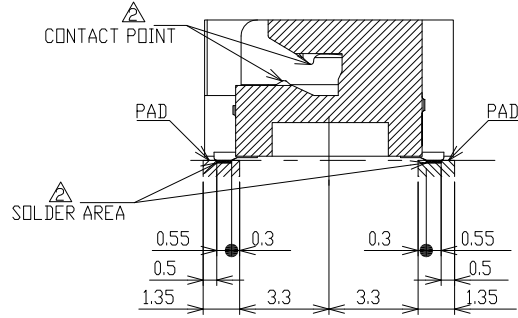


RoHS Compliant

SYMBOL	REV.	REVISION	APPROVAL	DATE
	A	新版圖紙	Winky	2015. 04. 29



DETAIL E  
MECHANICAL KEY TYPE



NOTES.

- 1.MATERIAL;HOUSING:LCP,UL 94V-0,COLOR:BLACK  
CONTACT: COPPER ALLOY  
METAL LATCH:SUS
- 2.PLATING ; CONTACT<CONTACT POINT,SOLDER AREA> :  
Au PLATE 0.0075μm MIN ,Ni UNDER PLATE 1.5μm MIN.
- 3.MUST BE MEASURED FLOATING AMOUNT OF CONTACT TAILS  
FROM DATAM SURFACE IS 0.1mm MAX.



- 4.NOT TO SCALE.
- 5.TOLERANCES NON-CUMULATIVE
- 6.FOR SOCKET OF THE OTHER COMPANIES

1.5V	DI09-DSEB0204xLH	DI09-DSEB0204TLH	DI09-DSEB0204RLH
POWER SUPPLY	PART NO. OF CONNECTOR	PART NO. OF PACKAGED PRODUCT (WITH SOFT TARY)	PART NO. OF PACKAGED PRODUCT (WITH EMOSS TAPE)

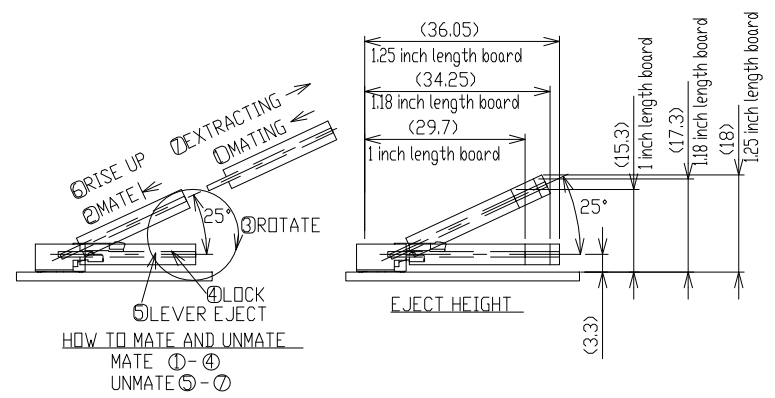
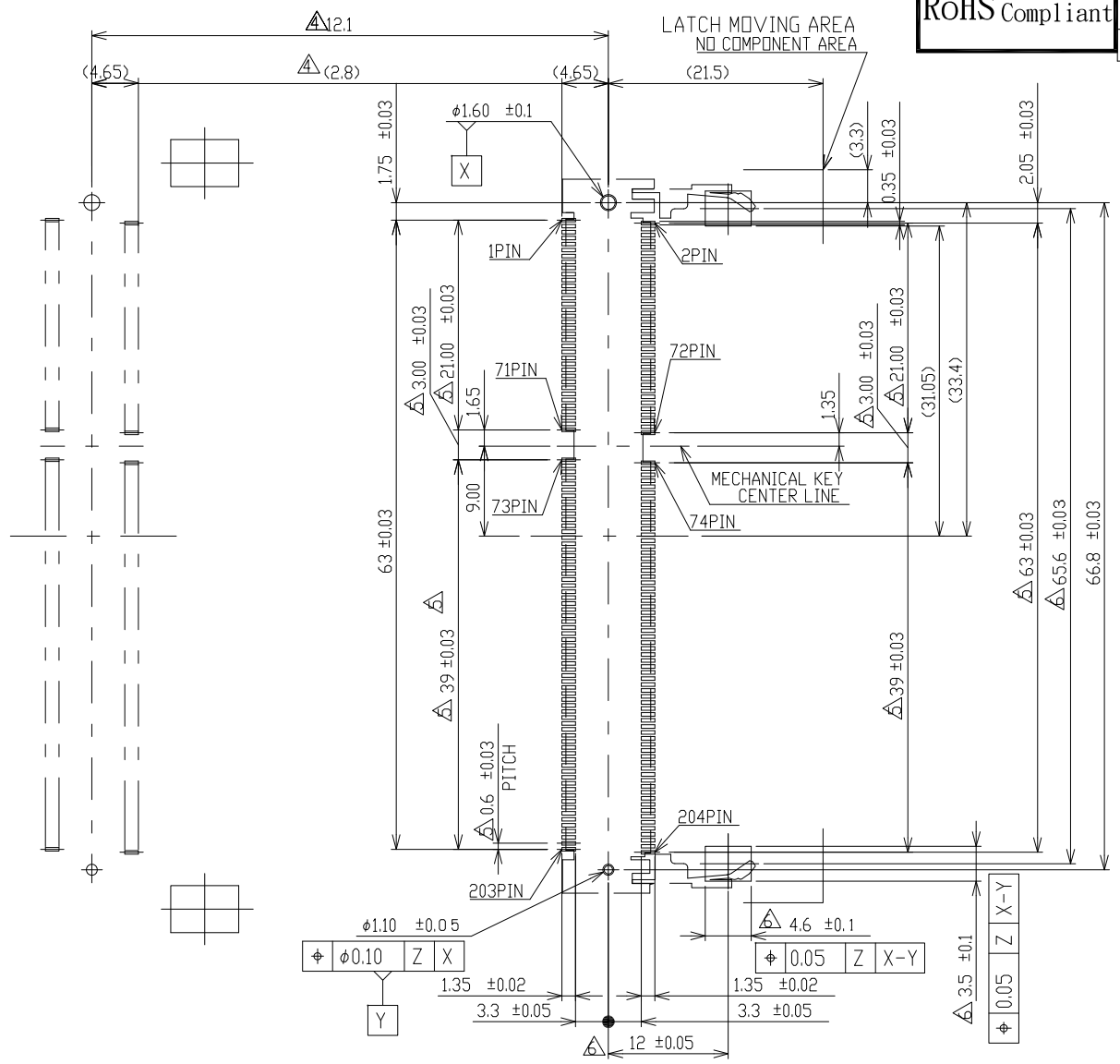
**DST-conn Tech. Co., Ltd.**

PART NAME	DDR S.O DIMM SOCKET II=5.2 TYPE A SMALL LATCH FOR 204PIN	DRAWING	Winky	DWG. No.	DI09
PART NO.	DI09-DSEB0204xLH	CHECK	Roy	REV.	A
UNIT : mm	GENERAL TOLERANCE	±0.20	ANGLE	DATE	2015. 04. 29
			±2°	SCALE	1:1

COPYRIGHT RESERVED, PLEASE DO NOT COPY.

RoHS Compliant

SYMBOL	REV.	REVISION	APPROVAL	DATE
	A	新版圖紙	Winky	2015. 04. 29



RECOMMENDED MOUNTING P.C. BOARD PATTERN LAYOUT DIM.

**DST-conn Tech. Co., Ltd.**

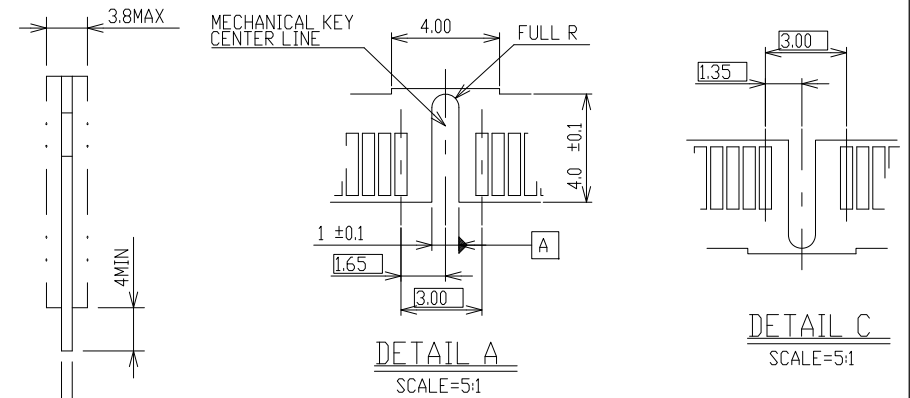
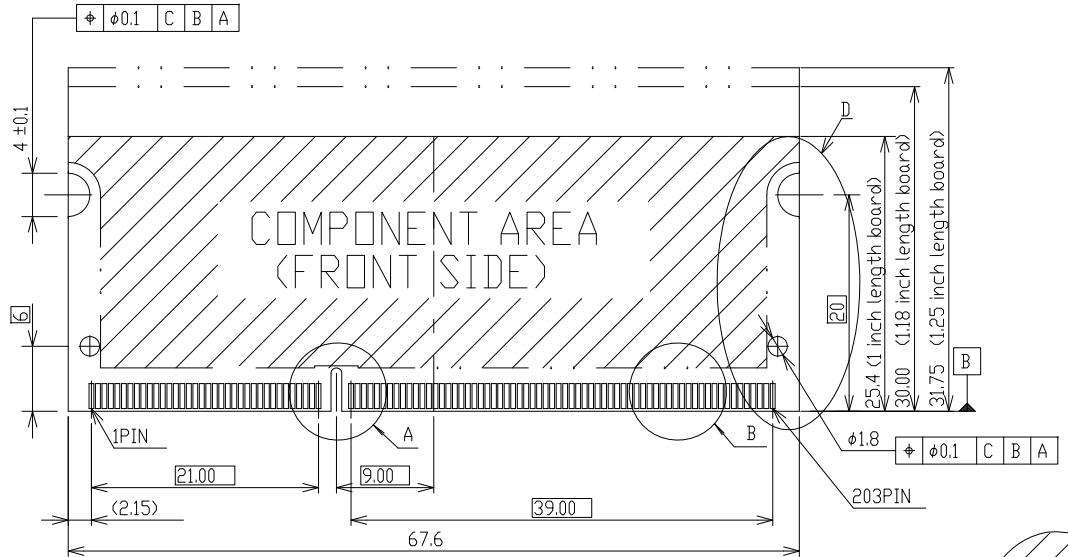
COPYRIGHT RESERVED, PLEASE DO NOT COPY.

PART NAME		DDR S.O DIMM SOCKET II=5.2 TYPE A SMALL LATCH FOR 204PIN		DRAWING		Winky		DWG. No.		D109	
PART NO.		D109-DSEB0204xLH		CHECK		Roy		REV.		A	
UNIT :		GENERAL TOLERANCE		ANGLE		APPROVAL		DATE		2015. 04. 29	
mm		±0.20		±2°		SCALE		PAGE		2 OF 5	

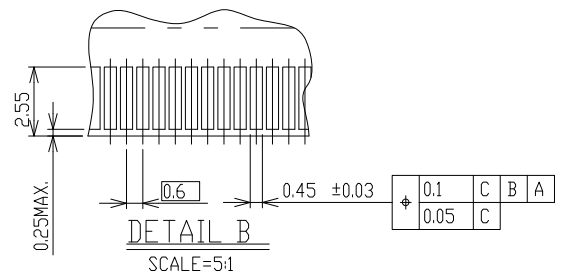
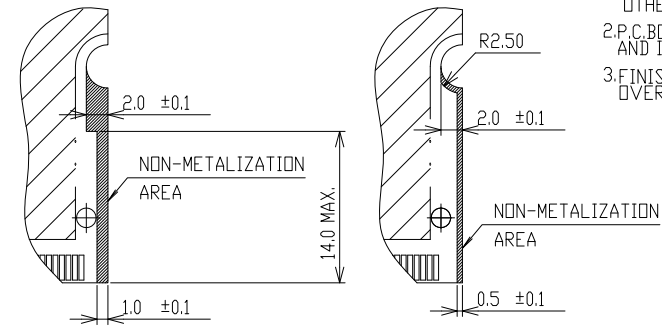
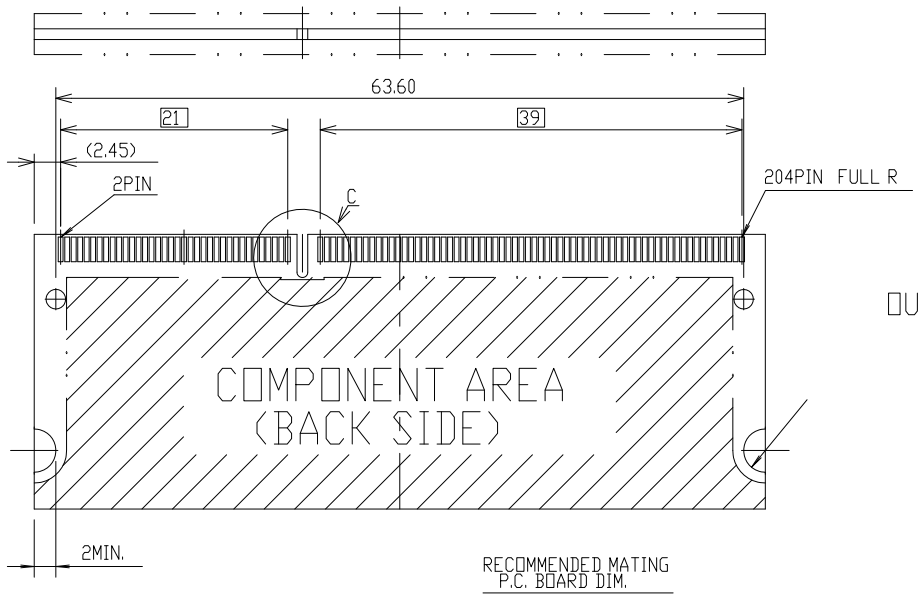
F E D C B A

RoHS Compliant

SYMBOL	REV.	REVISION	APPROVAL	DATE
	A	新版圖紙	Winky	2015. 04. 29



- NOTES:(APPLIED TO SHEET 3)
1. TOLERANCES ON ALL DIMENSION  $\pm 0.15$  UNLESS OTHERWISE SPECIFIED.
  2. P.C. BOARD THICKNESS APPLIES ACROSS TABS AND INCLUDES PLATING AND/OR METALIZATION.
  3. FINISH OF PAD : GOLD PLATING 0.00076MIN. OVER NI PLATING 0.002MIN.



**DST**-conn Tech. Co., Ltd.

COPYRIGHT RESERVED, PLEASE DO NOT COPY.

PART NAME		DDR S.O DIMM SOCKET H=5.2 TYPE A SMALL LATCH FOR 204PIN		DRAWING		Winky		DWG. No.		DI09	
PART NO.		DI09-DSEB0204xLH		CHECK		Roy		REV.		A	
UNIT :		GENERAL TOLERANCE		ANGLE		APPROVAL		DATE		2015. 04. 29	
mm		$\pm 0.20$		$\pm 2^\circ$		SCALE		PAGE		3 OF 5	

F E D C B A

F

E

D

C

B

A

RoHS Compliant

SYMBOL

REV.

REVISION

APPROVAL

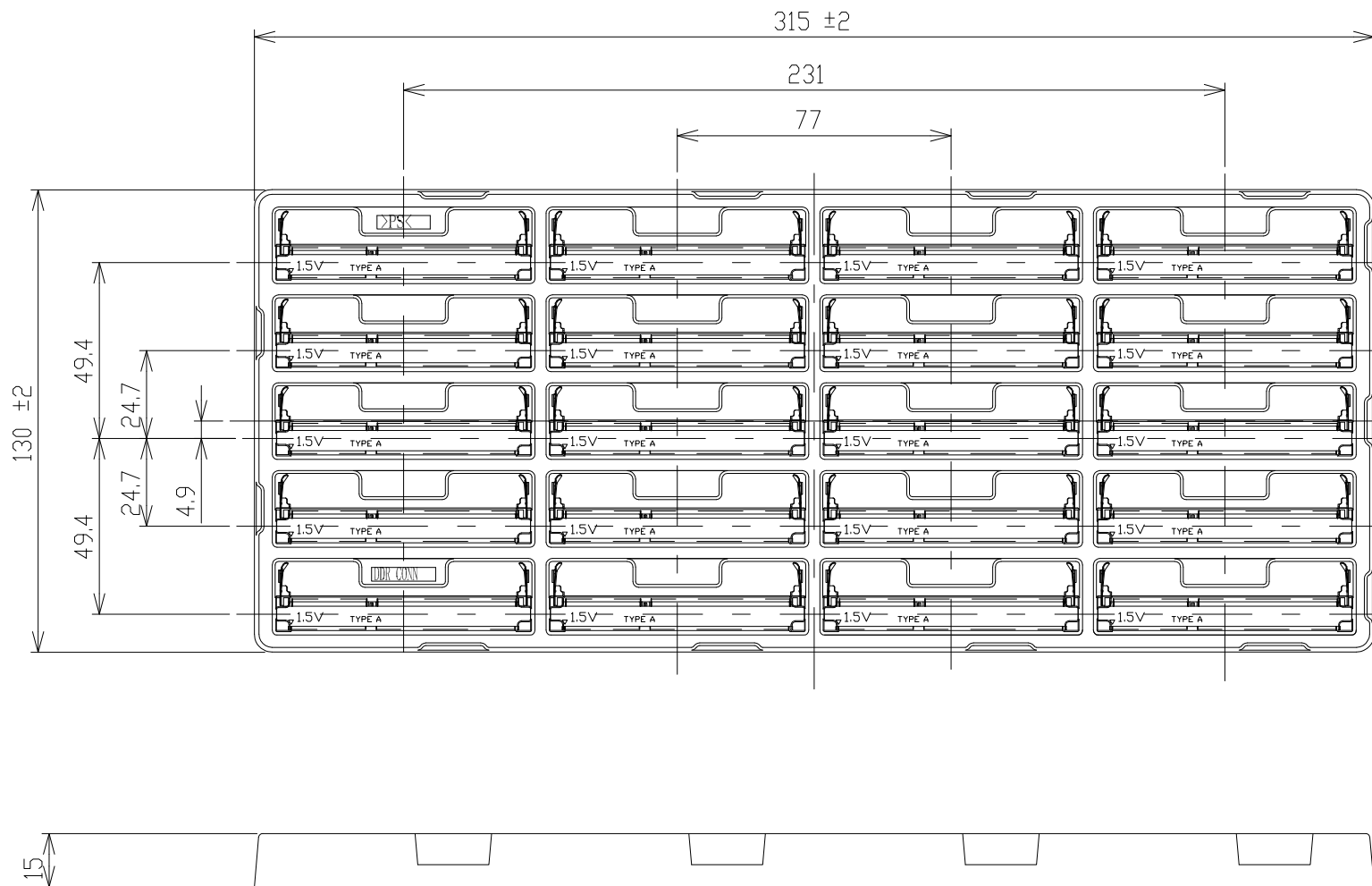
DATE

A

新版圖紙

Winky

2015. 04. 29



SOFT TRAY PACKAGING

20	DI09-DSEB0204xLH	DI09-DSEB0204TLH
QTY.	PART NO. OF CONNECTOR	PART NO. OF PACKAGED PRODUCT (WITH SOFT TARY)

**DST**-conn Tech. Co., Ltd.

COPYRIGHT RESERVED, PLEASE DO NOT COPY.

PART NAME	DDR S.O DIMM SOCKET H=5.2 TYPE A SMALL LATCH FOR 204PIN	DRAWING	Winky	DWG. No.	DI09
PART NO.	DI09-DSEB0204xLH	CHECK	Roy	REV.	A
UNIT : mm	GENERAL TOLERANCE	±0.50	ANGLE	DATE	2015. 04. 29
			±2°	SCALE	1:1

F

E

D

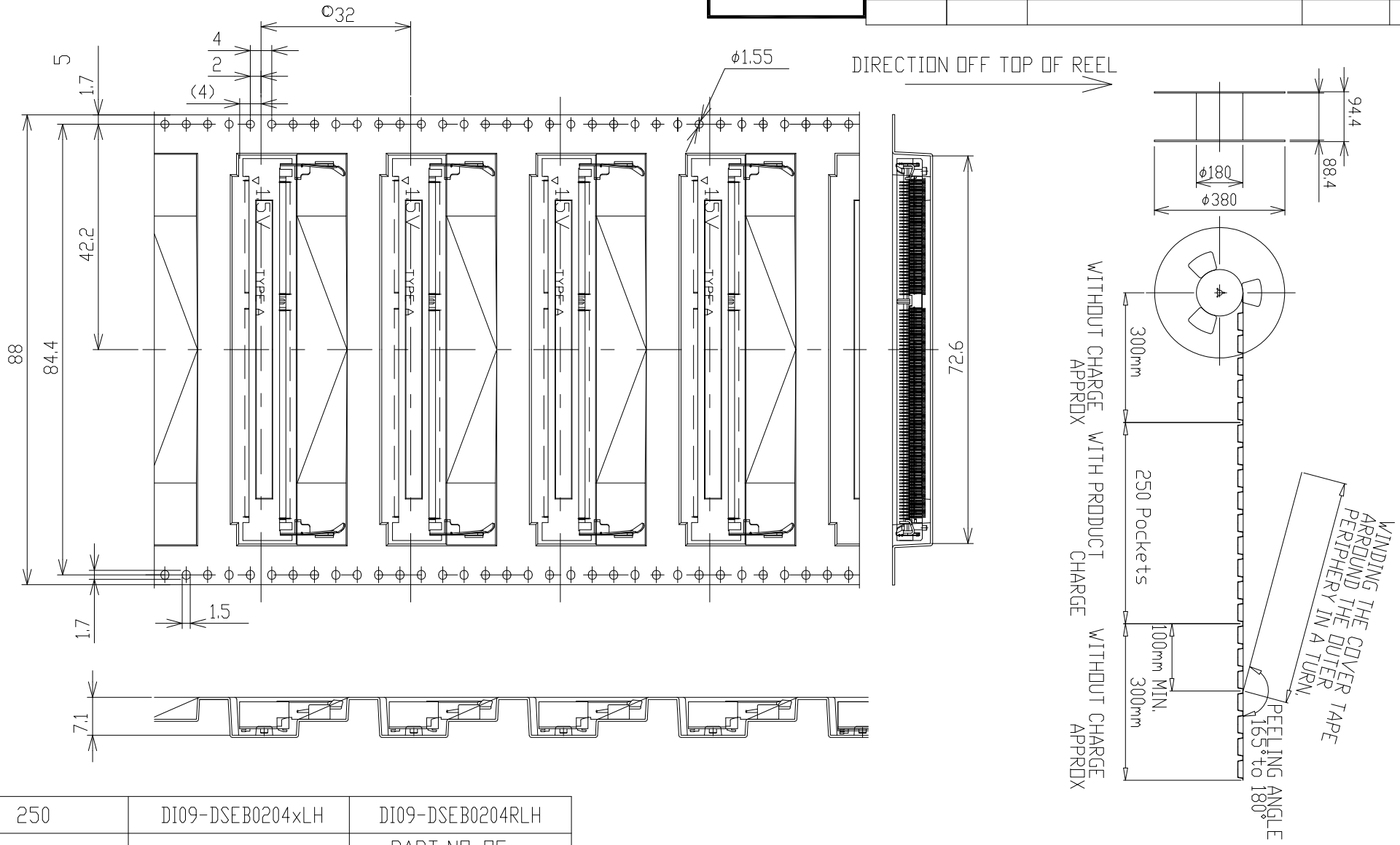
C

B

A

RoHS Compliant

SYMBOL	REV.	REVISION	APPROVAL	DATE
	A	新版圖紙	Winky	2015. 04. 29



250	DI09-DSEB0204xLH	DI09-DSEB0204RLH
QTY.	PART NO. OF CONNECTOR	PART NO. OF PACKAGED PRODUCT (WITH EMBOSS TAPE)

**DST-conn Tech. Co., Ltd.**

COPYRIGHT RESERVED, PLEASE DO NOT COPY.

PART NAME	DDR S.O DIMM SOCKET H=5.2 TYPE A SMALL LATCH FOR 204PIN	DRAWING	Winky	DWG. No.	DI09	
PART NO.	DI09-DSEB0204xLH	CHECK	Roy	REV.	A	
UNIT : mm	GENERAL TOLERANCE	±0.50	APPROVAL	John	DATE	2015. 04. 29
			SCALE	1:1	PAGE	5 OF 5

1  
2  
3  
4

1  
2  
3  
4

F E D C B A