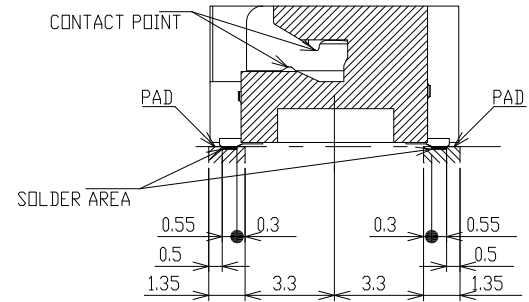
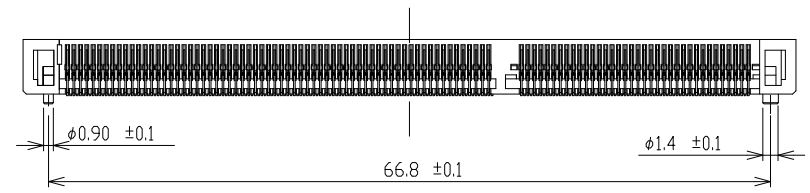
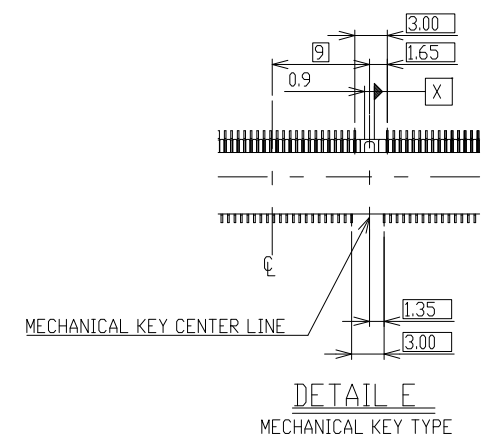
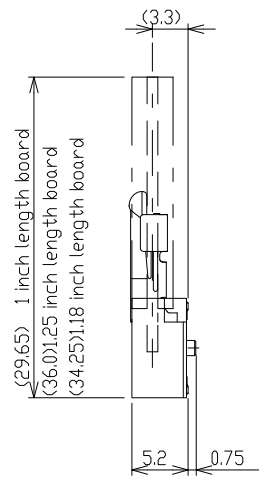
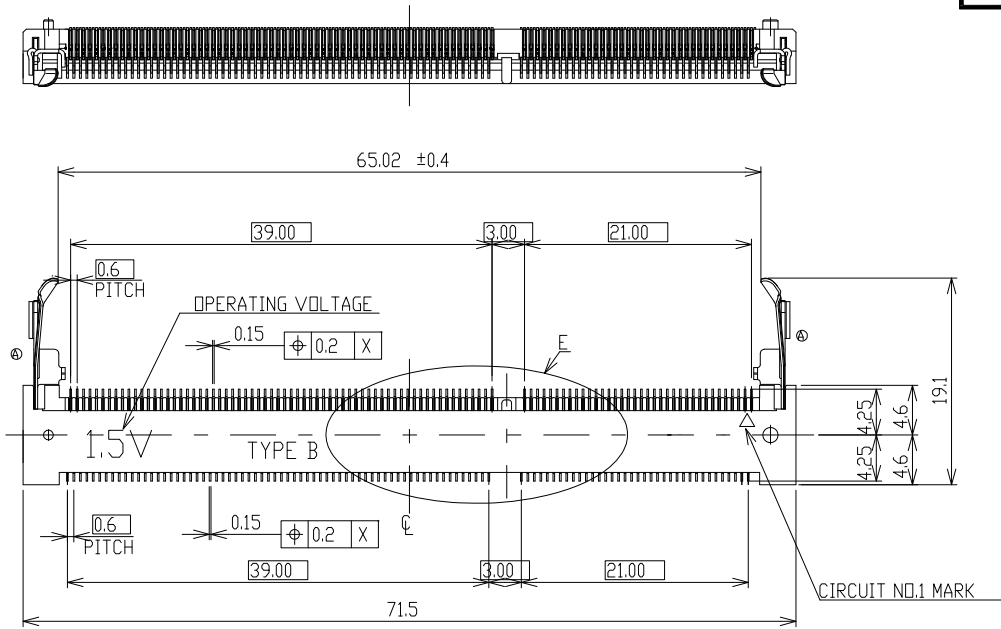


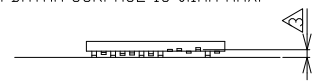
RoHS Compliant

SYMBOL	REV.	REVISION	APPROVAL	DATE
	A	新版圖紙	Winky	2015. 04. 29



NOTES.

- 1.MATERIAL ;HOUSING:LCP,UL 94V-0,COLOR:BLACK
CONTACT: COPPER ALDY
METAL LATCH:SUS
- 2.PLATING ; CONTACT(CONTACT POINT,SOLDER AREA) :
Au PLATE 0.0075µm MIN ,Ni UNDER PLATE 1.5µm MIN.
- 3.MUST BE MEASURED FLDATING AMOUNT OF CONTACT TAILS
FROM DATAM SURFACE IS 0.1mm MAX.



- 4.NOT TO SCALE.
- 5.TOLERANCES NON-CUMULATIVE
- 6.FOR SOCKET OF THE OTHER COMPANIES

1.5V	DI10-DSEB0204xLH	DI10-DSEB0204TLH	DI10-DSEB0204RLH
POWER SUPPLY	PART NO. OF CONNECTOR	PART NO. OF PACKAGED PRODUCT (WITH SOFT TARY)	PART NO. OF PACKAGED PRODUCT (WITH EMBOSS TAPE)

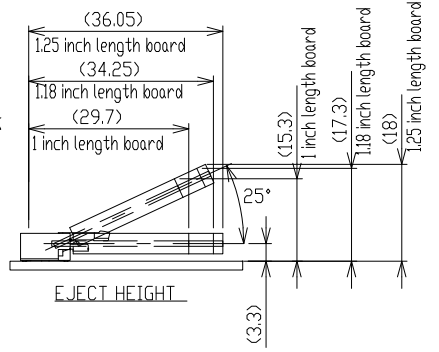
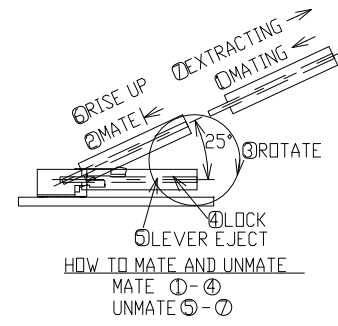
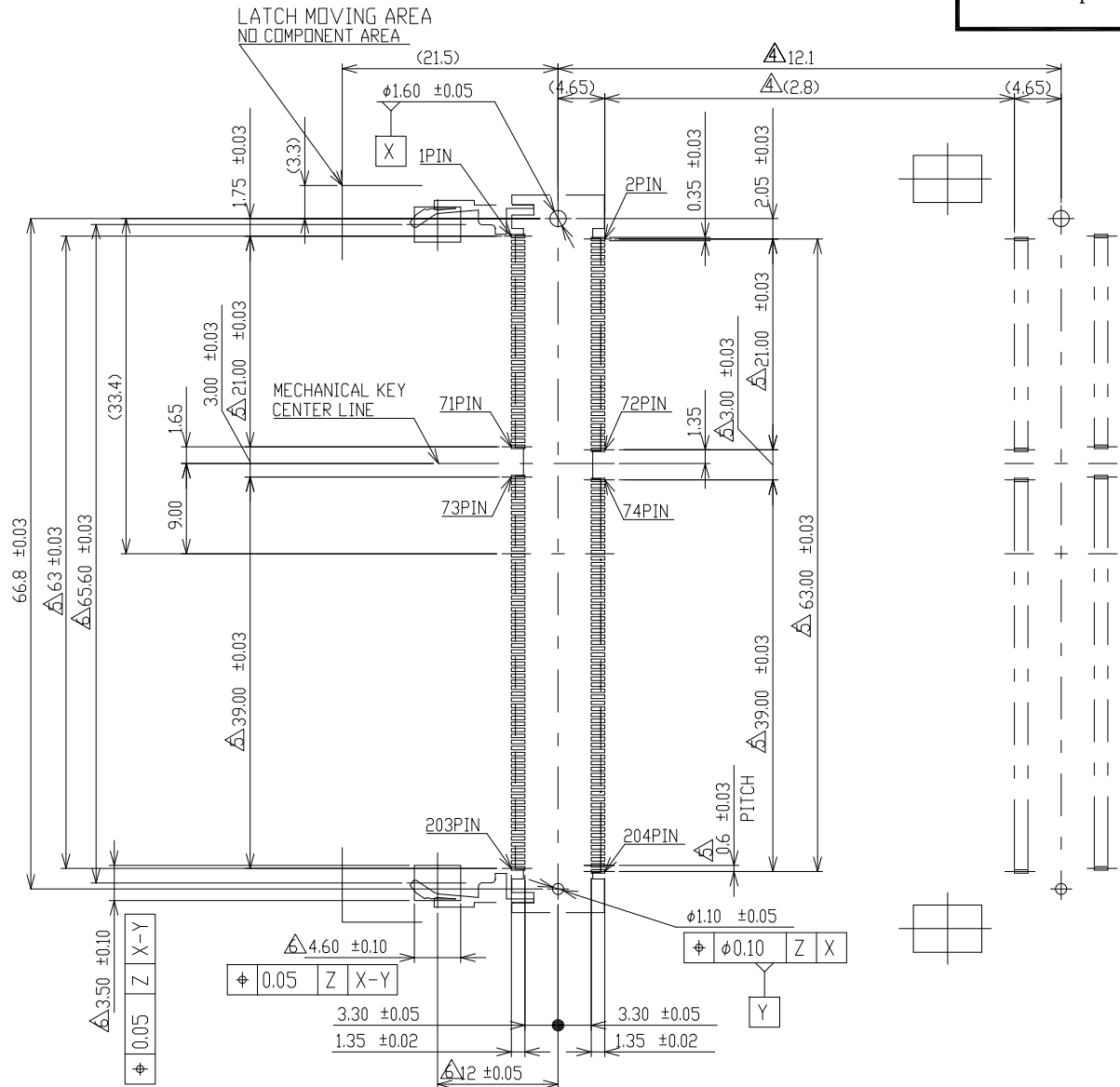
DST-conn Tech. Co., Ltd.

PART NAME	DDR S.O DIMM SOCKET H=5.2 TYPE B SMALL LATCH FOR 204PIN	DRAWING	Winky	DWG. No.	DI10
PART NO.	DI10-DSEB0204xLH	CHECK	Roy	REV.	A
UNIT : mm	GENERAL TOLERANCE	±0.20	ANGLE	DATE	2015. 04. 29
			±2°	SCALE	1:1

COPYRIGHT RESERVED, PLEASE DO NOT COPY.

RoHS Compliant

SYMBOL	REV.	REVISION	APPROVAL	DATE
	A	新版圖紙	Winky	2015. 04. 29



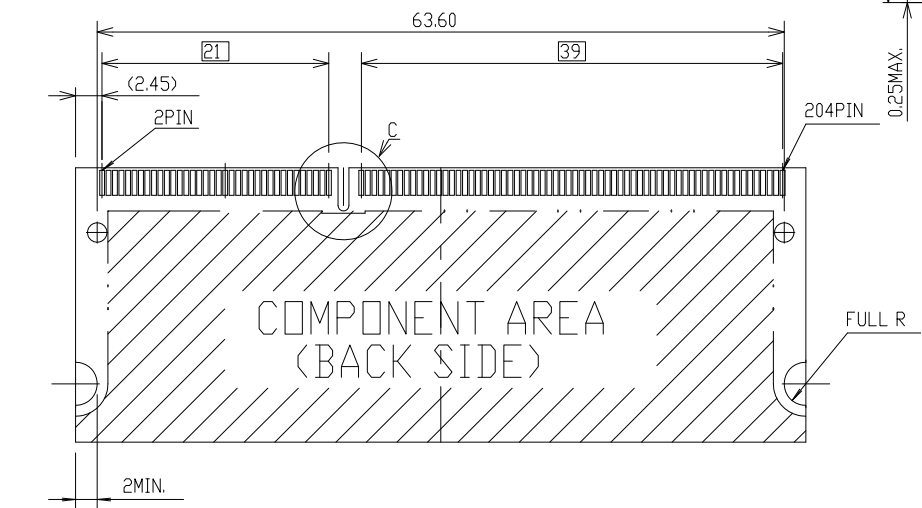
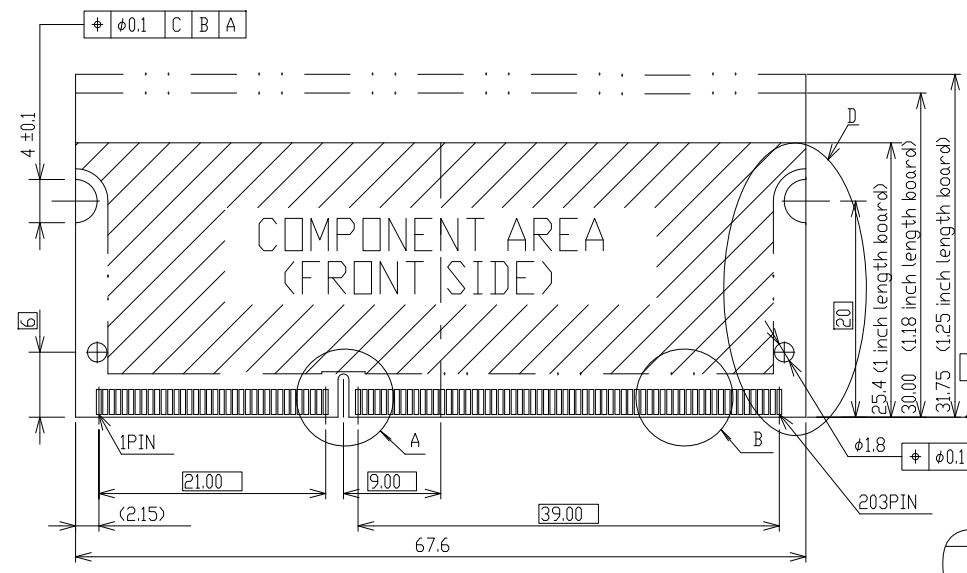
RECOMMENDED MOUNTING
P.C. BOARD PATTERN LAYOUT DIM.

DST-conn Tech. Co., Ltd.

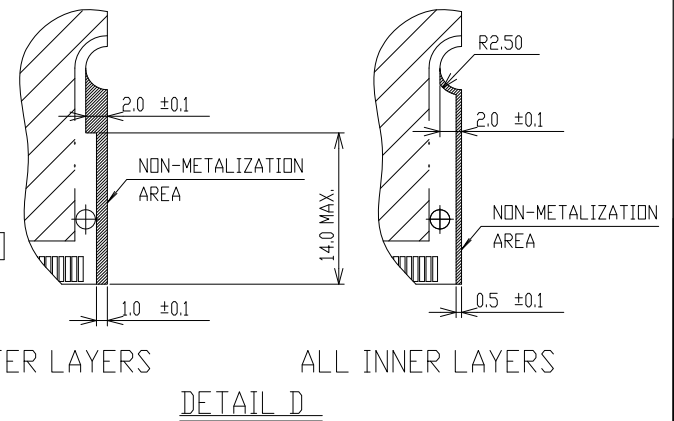
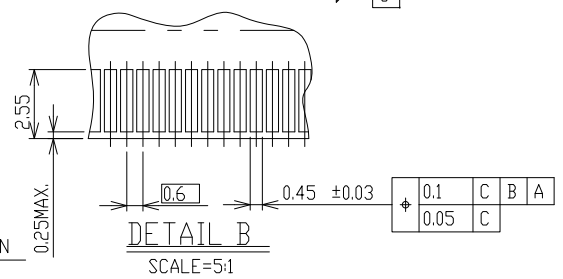
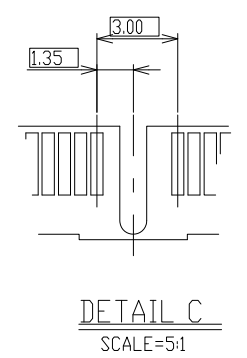
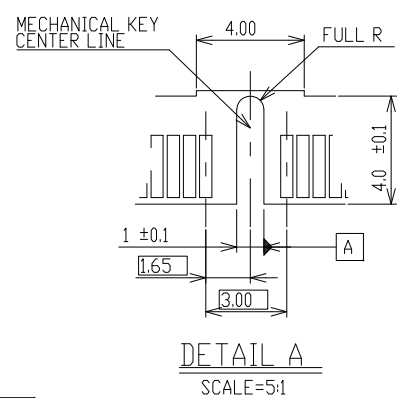
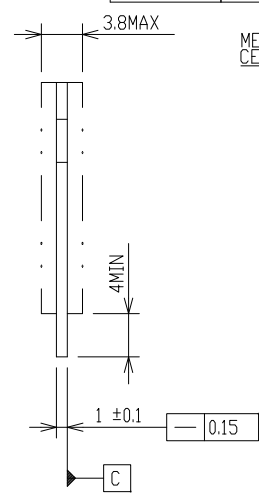
COPYRIGHT RESERVED, PLEASE DO NOT COPY.

PART NAME		DDR S.O DIMM SOCKET H=5.2 TYPE B SMALL LATCH FOR 204PIN		DRAWING		Winky		DWG. No.		D110	
PART NO.		D110-DSEB0204xLH		CHECK		Roy		REV.		A	
UNIT : mm	GENERAL TOLERANCE	±0.20	ANGLE	APPROVAL		John		DATE		2015. 04. 29	
				SCALE		1:1		PAGE		2 OF 5	

RoHS Compliant	SYMBOL	REV.	REVISION	APPROVAL	DATE
		A	新版圖紙	Winky	2015. 04. 29



RECOMMENDED MATING
P.C. BOARD DIM.



- NOTES;(APPLIED TO SHEET 3)
- 1.TOLERANCES ON ALL DIMENSION ±0.15 UNLESS OTHERWISE SPECIFIED.
 - 2.P.C.BOARD THICKNESS APPLIES ACROSS TABS AND INCLUDES PLATING AND/OR METALIZATION.
 - 3.FINISH OF PAD : GOLD PLATING 0.00076MIN. OVER NI PLATING 0.002MIN.

DST-conn Tech. Co., Ltd.

COPYRIGHT RESERVED, PLEASE DO NOT COPY.

PART NAME	DDR S.O DIMM SOCKET H=5.2 TYPE B SMALL LATCH FOR 204PIN	DRAWING	Winky	DWG. No.	D110
PART NO.	D110-DSEB0204xLH	CHECK	Roy	REV.	A
UNIT : mm	GENERAL TOLERANCE	±0.20	APPROVAL	John	DATE
			SCALE	1:1	PAGE
		ANGLE	±2°		2015. 04. 29
					3 OF 5

F E D C B A

F

E

D

C

B

A

RoHS Compliant

SYMBOL

REV.

REVISION

APPROVAL

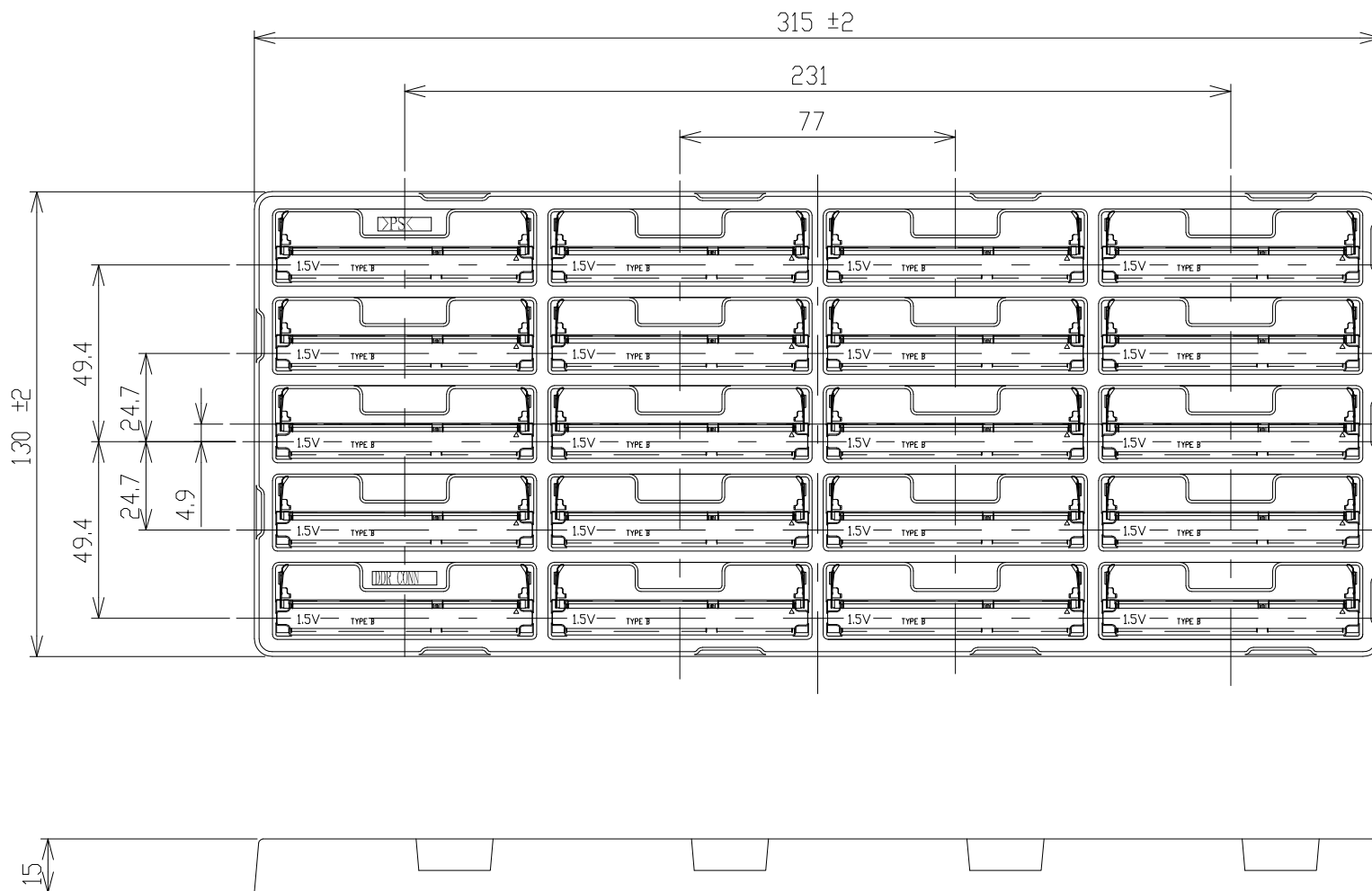
DATE

A

新版圖紙

Winky

2015. 04. 29



® SOFT TRAY PACKAGING

20	DI10-DSEB0204xLH	DI10-DSEB0204TLH
QTY.	PART NO. OF CONNECTOR	PART NO. OF PACKAGED PRODUCT (WITH SOFT TARY)

DST-conn Tech. Co., Ltd.

PART NAME	DDR S.O DIMM SOCKET H=5.2 TYPE B SMALL LATCH FOR 204PIN	DRAWING	Winky	DWG. No.	DI10	
PART NO.	DI10-DSEB0204xLH	CHECK	Roy	REV.	A	
UNIT : mm	GENERAL TOLERANCE	±0.50	APPROVAL	John	DATE	2015. 04. 29
			ANGLE	±2°	SCALE	1:1

COPYRIGHT RESERVED, PLEASE DO NOT COPY.

F

E

D

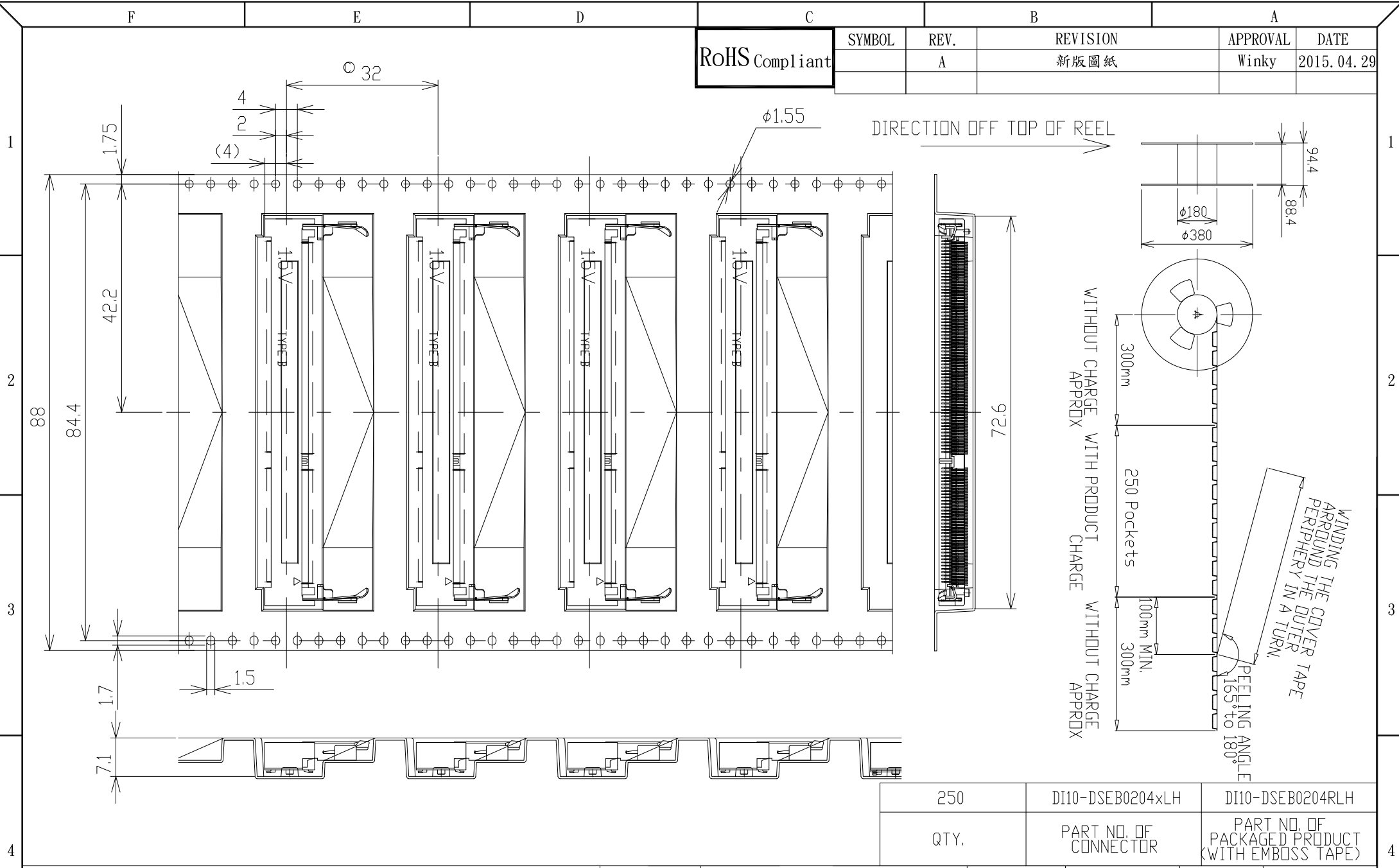
C

B

A

RoHS Compliant

SYMBOL	REV.	REVISION	APPROVAL	DATE
	A	新版圖紙	Winky	2015. 04. 29



250	DI10-DSEB0204xLH	DI10-DSEB0204RLH
QTY.	PART NO. OF CONNECTOR	PART NO. OF PACKAGED PRODUCT (WITH EMBOSS TAPE)

DST-conn Tech. Co., Ltd.

PART NAME	DDR S.O DIMM SOCKET II-5.2 TYPE B SMALL LATCH FOR 204PIN	DRAWING	Winky	DWG. No.	DI10
PART NO.	DI10-DSEB0204xLH	CHECK	Roy	REV.	A
UNIT : mm	GENERAL TOLERANCE	±0.50	ANGLE	DATE	2015. 04. 29
			±2°	SCALE	1:1

COPYRIGHT RESERVED, PLEASE DO NOT COPY.