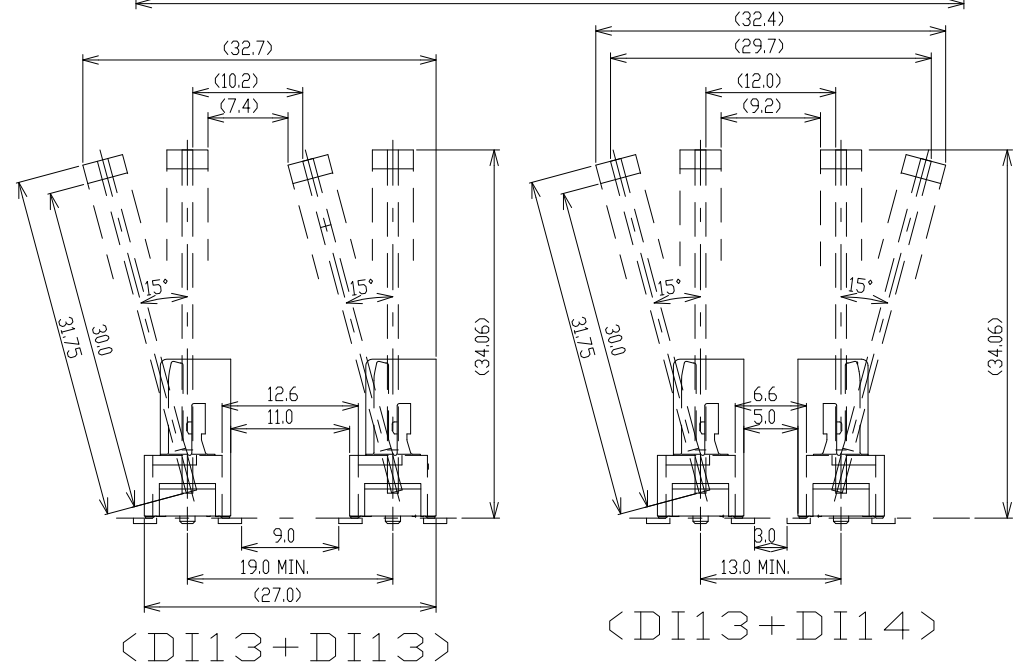
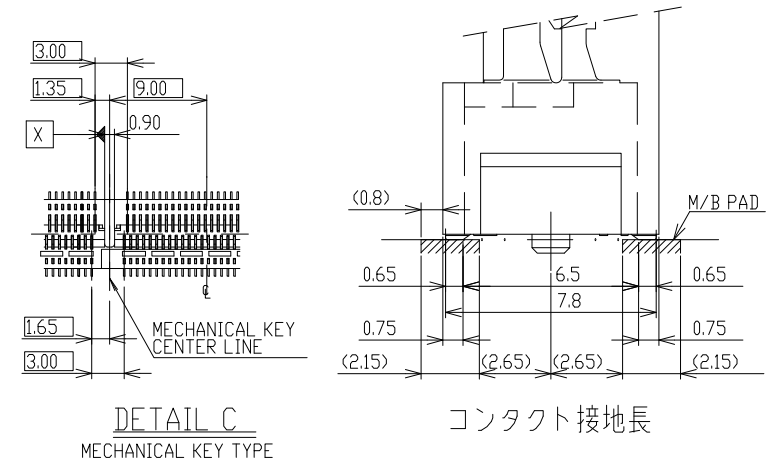
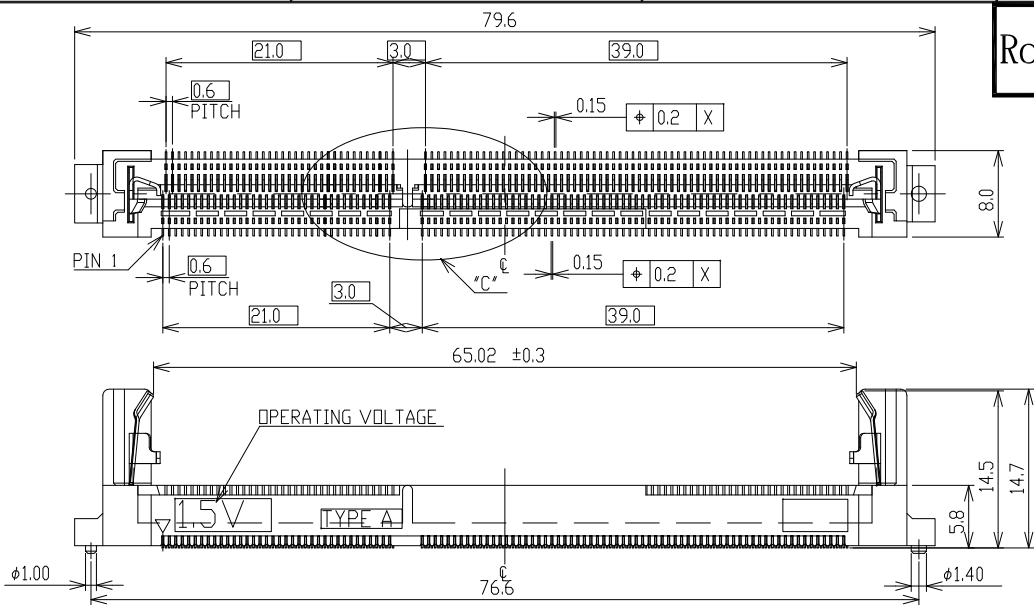


RoHS Compliant

SYMBOL	REV.	REVISION	APPROVAL	DATE
	A	新版圖紙	Winky	2015. 04. 29



- NOTES.
- MATERIAL; HOUSING: LCP, UL 94V-0, COLOR: NATURAL  
CONTACT: PHOS-BRONZE  
METAL LATCH: SUS
  - PLATING; CONTACT (CONTACT POINT): Au PLATE  
Ni UNDER PLATE
  - MUST BE MEASURED FLOATING AMOUNT OF CONTACT TAILS FROM DATAM SURFACE IS 0.1mm MAX.
  - TOLERANCES NON-CUMULATIVE

1.5V	DI13-DLEN5204xLH	DI13-DLEN5204TLH	DI13-DLEN5204RLH
POWER SUPPLY	PART NO. OF CONNECTOR	PART NO. OF PACKAGED PRODUCT (WITH HARD TARY)	PART NO. OF PACKAGED PRODUCT (WITH EMBOSS TAPE)

**DST-conn Tech. Co., Ltd.**

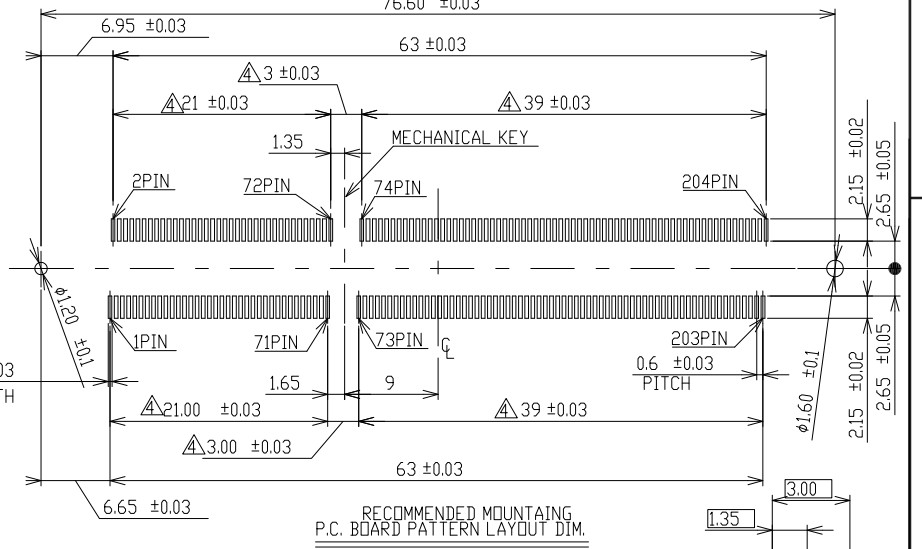
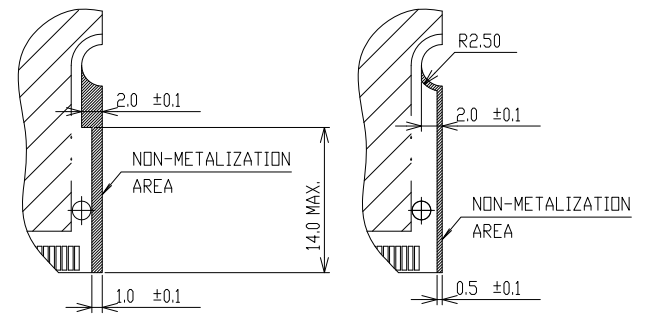
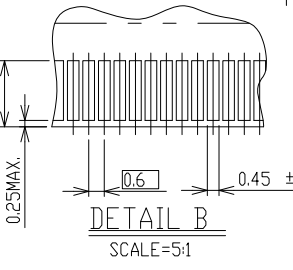
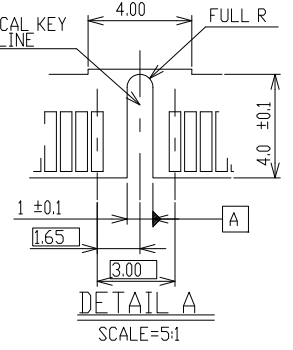
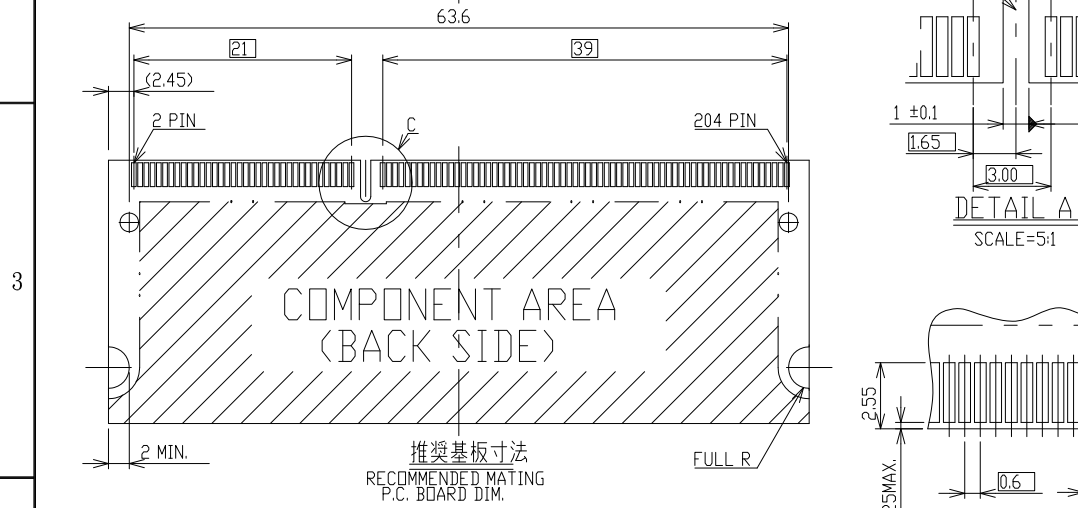
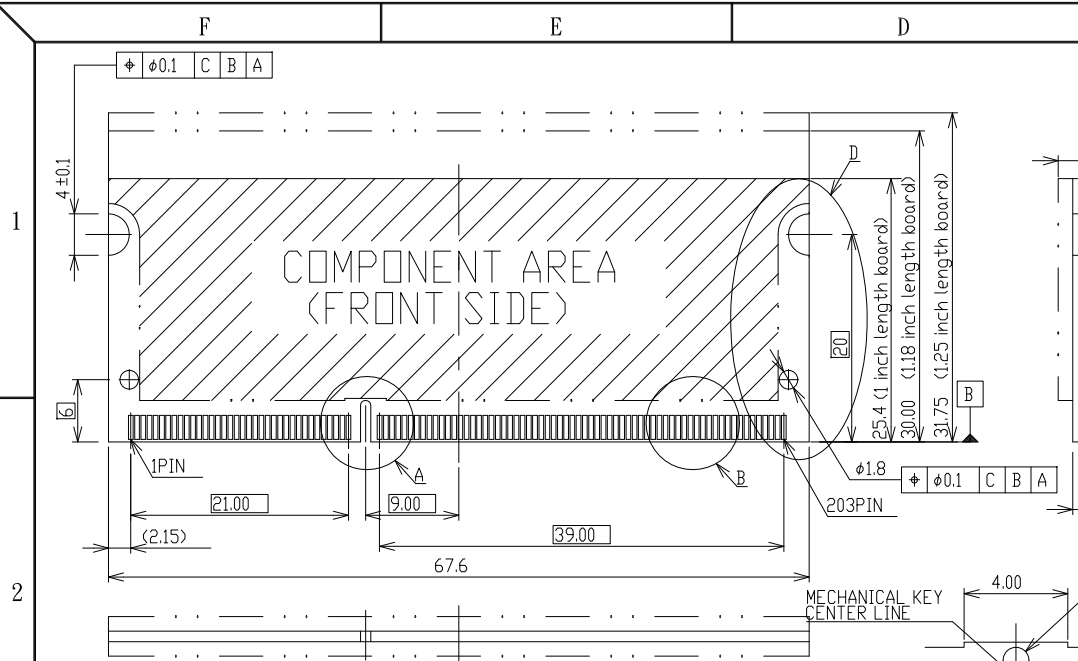
PART NAME	DDR S.O DIMM SOCKET VERTICAL TYPE A FOR 204PIN DDR S.O DIMM(DDR3)	DRAWING	Winky	DWG. No.	DI13
PART NO.	DI13-DLEN5204xLH	CHECK	Roy	REV.	A
UNIT : mm	GENERAL TOLERANCE	±0.20	ANGLE	DATE	2015. 04. 29
			±2°	SCALE	1:1

COPYRIGHT RESERVED, PLEASE DO NOT COPY.

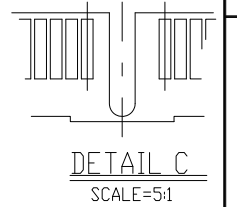
F E D C B A

RoHS Compliant

SYMBOL	REV.	REVISION	APPROVAL	DATE
	A	新版圖紙	Winky	2015. 04. 29



- NOTES; (APPLIED TO SHEET 2)
1. TOLERANCES ON ALL DIMENSION ±0.15 UNLESS OTHERWISE SPECIFIED.
  2. P.C. BOARD THICKNESS APPLIES ACROSS TABS AND INCLUDES PLATING AND/OR METALIZATION.
  3. FINISH OF PAD : GOLD PLATING 0.00076MIN. OVER NI PLATING 0.002MIN.



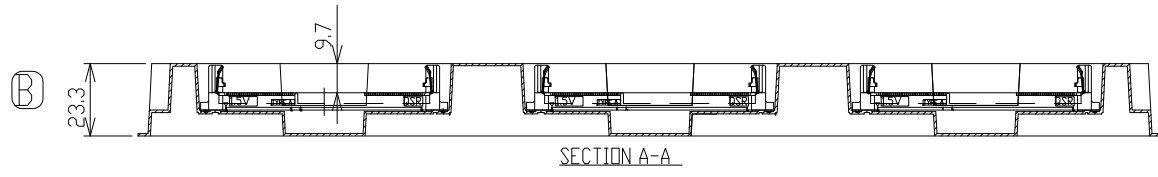
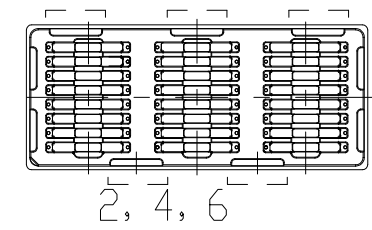
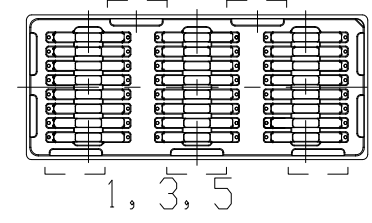
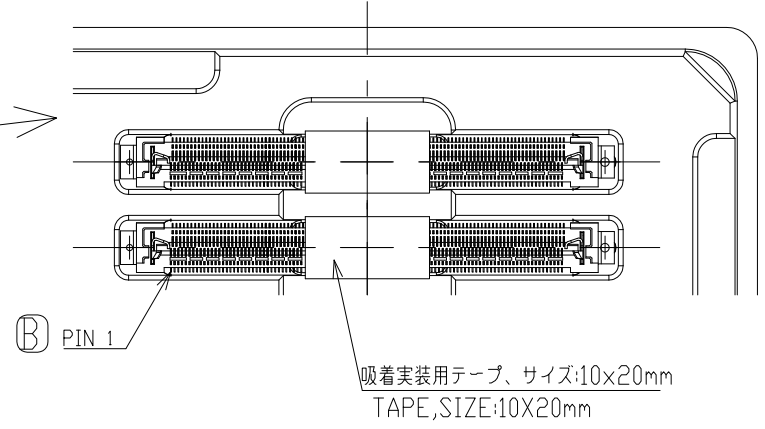
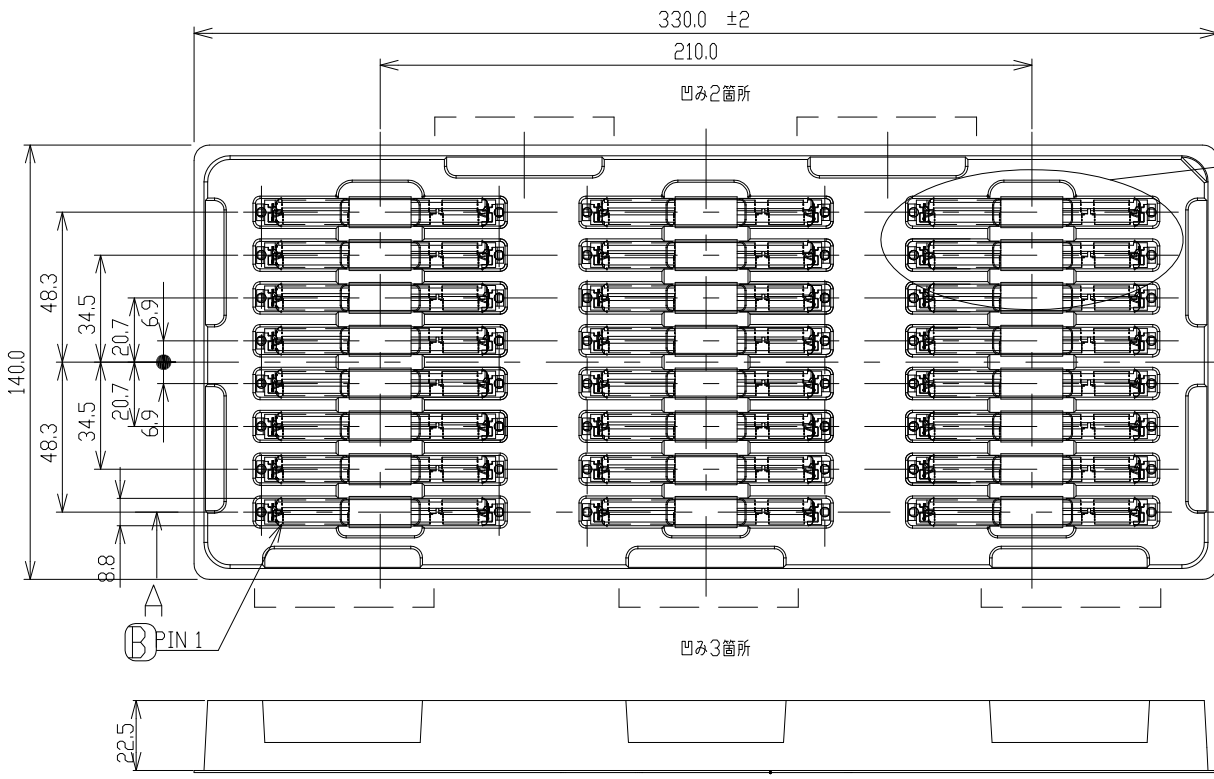
**DST-conn Tech. Co., Ltd.**

PART NAME	DDR S.O DIMM SOCKET VERTICAL TYPE A FOR 204PIN DDR S.O DIMM(DDR3)	DRAWING	Winky	DWG. No.	D113
PART NO.	D113-DLEN5204xLH	CHECK	Roy	REV.	A
UNIT :	GENERAL TOLERANCE	ANGLE	John	DATE	2015. 04. 29
mm	±0.20	±2°	SCALE	1:1	PAGE
					2 OF 3

COPYRIGHT RESERVED, PLEASE DO NOT COPY.

RoHS Compliant

SYMBOL	REV.	REVISION	APPROVAL	DATE
	A	新版圖紙	Winky	2015. 04. 29



**DST-conn Tech. Co., Ltd.**

COPYRIGHT RESERVED, PLEASE DO NOT COPY.

PART NAME		DDR S.O DIMM SOCKET VERTICAL TYPE A FOR 204PIN DDR S.O DIMM(DDR3)		DRAWING		Winky		DWG. No.		D113	
PART NO.		D113-DLEN5204xLH		CHECK		Roy		REV.		A	
UNIT : mm	GENERAL TOLERANCE	±0.50	ANGLE ±2°	APPROVAL		John		DATE		2015. 04. 29	
				SCALE		1:1		PAGE		3 OF 3	

F E D C B A