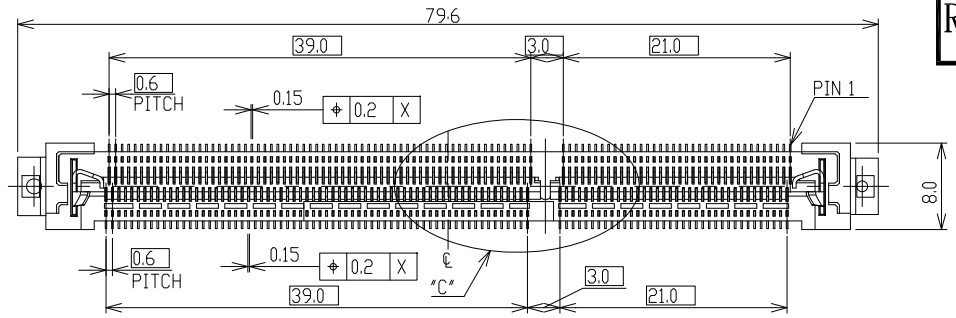


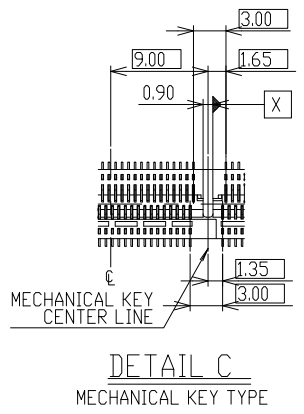
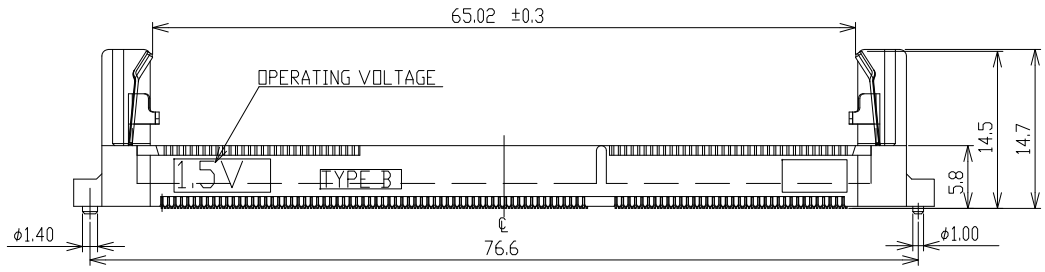
RoHS Compliant

SYMBOL	REV.	REVISION	APPROVAL	DATE
	A	新版圖紙	Winky	2015. 04. 29

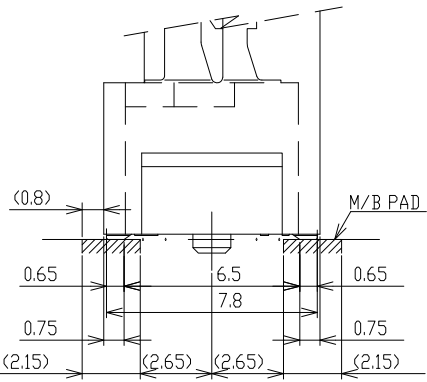
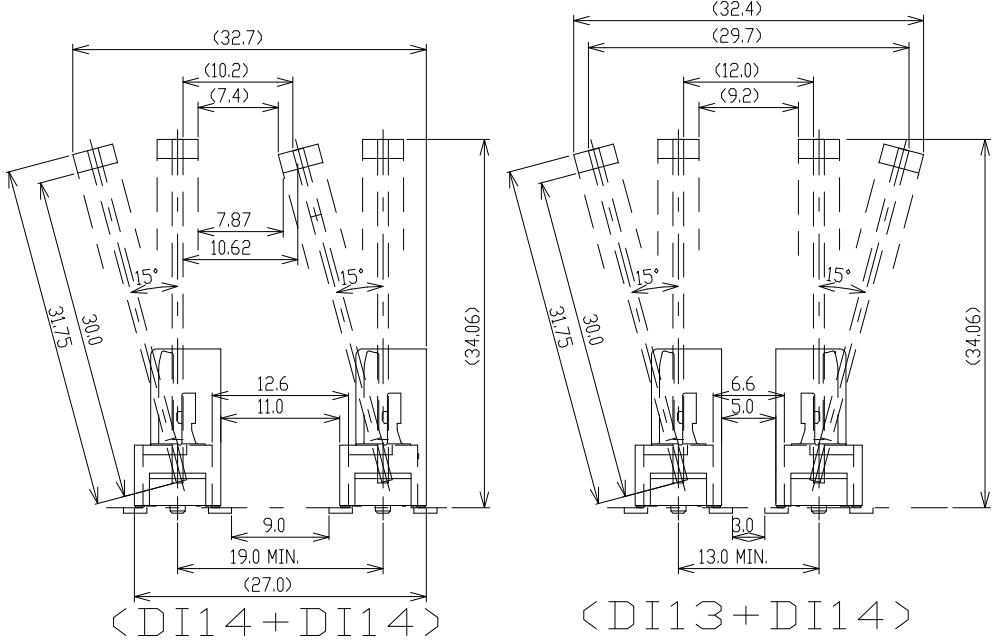
1



2



3



コンタクト接地長

- NOTES.
- MATERIAL: HOUSING: LCP, UL94V-0, COLOR: NATURAL
CONTACT: PHOS-BRONZE
MFTAL LATCH: SUS
 - PLATING: CONTACT (CONTACT POINT): Au PLATE
Ni UNDER PLATE
 - MUST BE MEASURED FLOATING AMOUNT OF CONTACT TAILS FROM DATAM SURFACE IS 0.1mm MAX.
 - TOLERANCES NON-CUMULATIVE

4

1.5V	DI14-DLEN5204xLH	DI14-DLEN5204TLH	DI14-DLEN5204RLH
POWER SUPPLY	PART NO. OF CONNECTOR	PART NO. OF PACKAGED PRODUCT (WITH HARD TARY)	PART NO. OF PACKAGED PRODUCT (WITH EMBOSS TAPE)

DST-conn Tech. Co., Ltd.

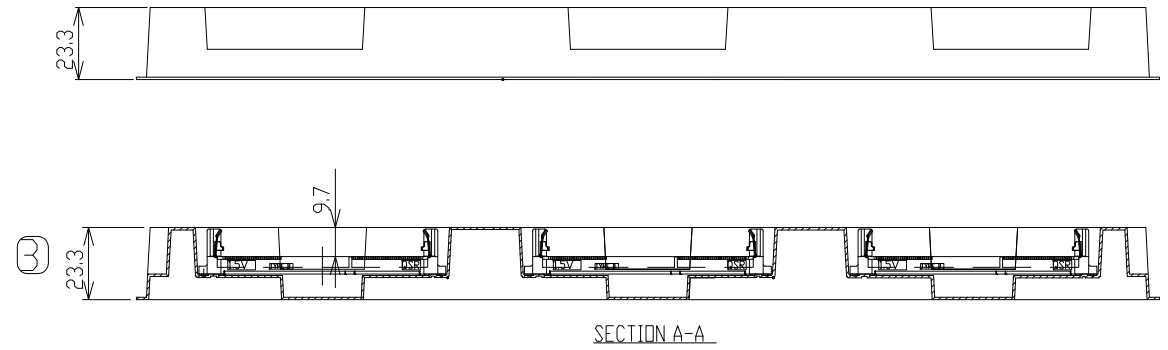
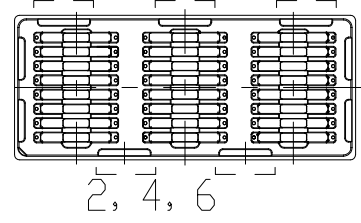
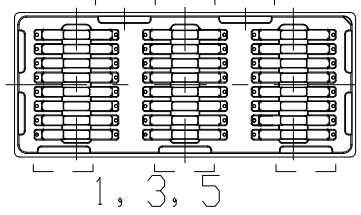
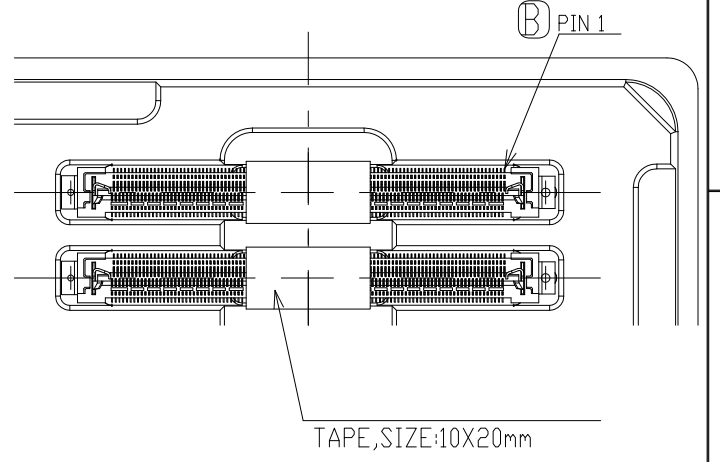
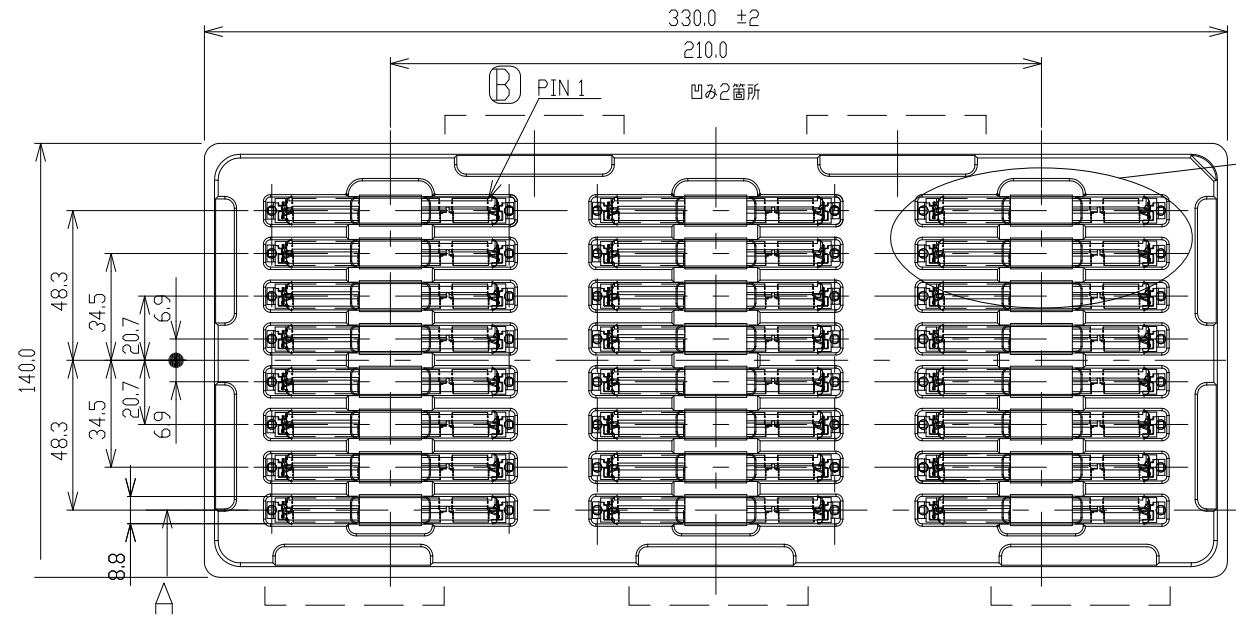
PART NAME	DDR S.O DIMM SOCKET VERTICAL TYPE B FOR 204PIN DDR S.O DIMM(DDR3)	DRAWING	Winky	DWG. No.	DI14
PART NO.	DI14-DLEN5204xLH	CHECK	Roy	REV.	A
UNIT : mm	GENERAL TOLERANCE	±0.20	ANGLE	DATE	2015. 04. 29
			±2°	SCALE	1:1

COPYRIGHT RESERVED, PLEASE DO NOT COPY.

F E D C B A

RoHS Compliant

SYMBOL	REV.	REVISION	APPROVAL	DATE
	A	新版圖紙	Winky	2015. 04. 29



DST-conn Tech. Co., Ltd.

COPYRIGHT RESERVED, PLEASE DO NOT COPY.

PART NAME		DDR S.O DIMM SOCKET VERTICAL TYPE B FOR 204PIN DDR S.O DIMM(DDR3)		DRAWING		Winky		DWG. No.		D114	
PART NO.		D114-DLEN5204xLH		CHECK		Roy		REV.		A	
UNIT : mm	GENERAL TOLERANCE	±0.50	ANGLE ±2°	APPROVAL		John		DATE		2015. 04. 29	
				SCALE		1:1		PAGE		3 OF 3	