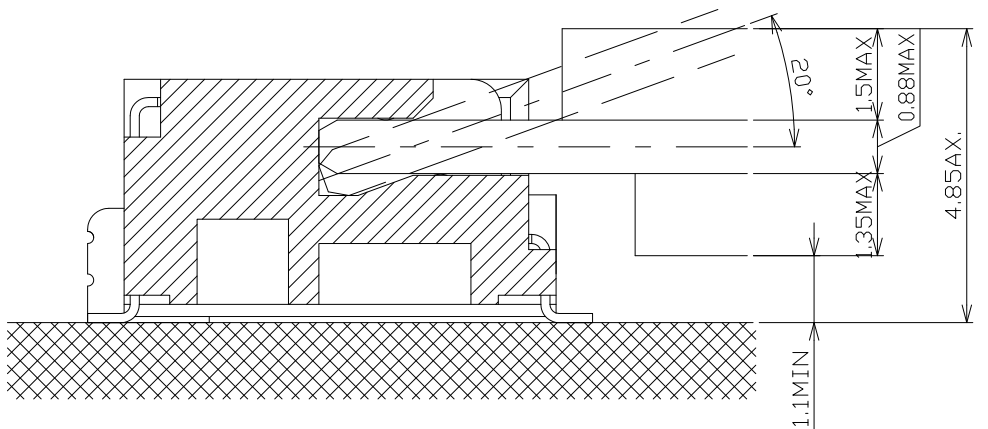
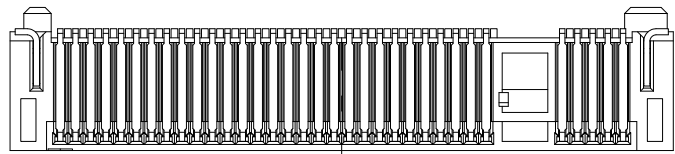


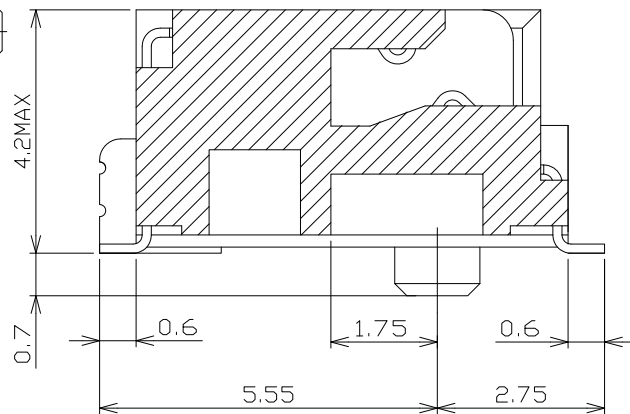
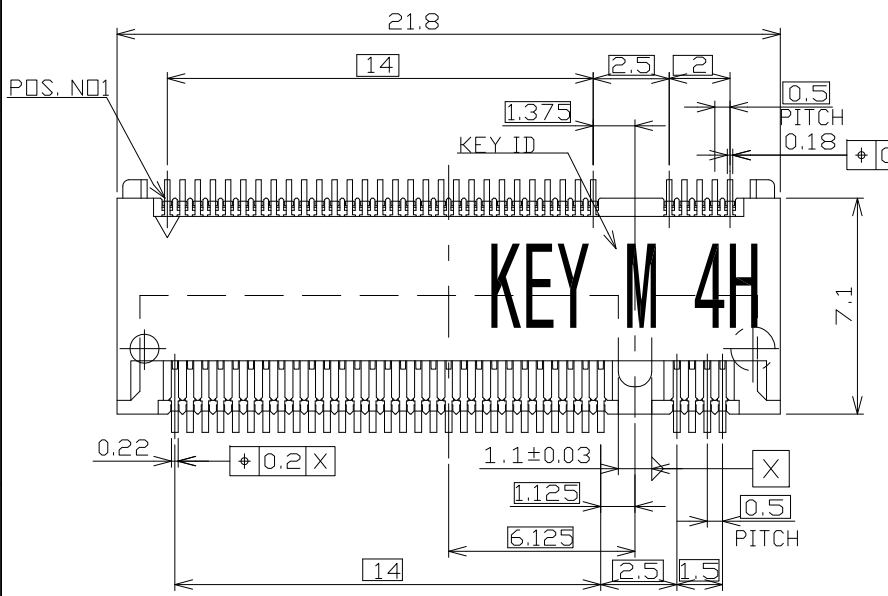
RoHS Compliant

SYMBOL	REV.	REVISION	APPROVAL	DATE
	A	新版圖紙	Winky	2013. 10. 24

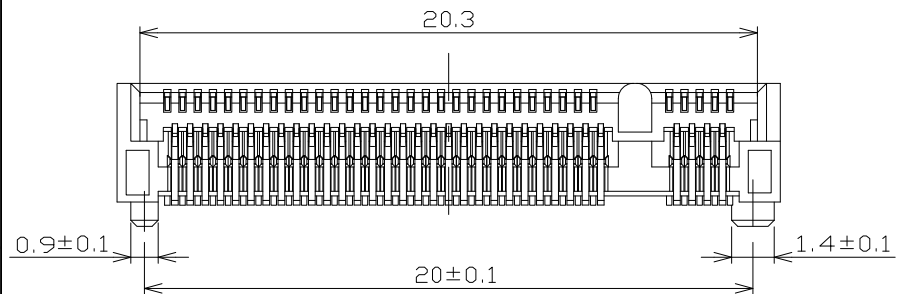
1



2



3



- NOTES:
- MATERIAL:  
HOUSING: HIGH TEMPERATURE THERMO PLASTIC UL94V-0  
TERMINAL: COPPER ALLOY  
SOLDER PEG: COPPER ALLOY
  - FINISH:  
TERMINAL:  
CONTACT AREA: SEE CHARTS  
SOLDERING AREA: SEE CHARTS  
UNDER PL.: NICKEL PL. 50 μ" THK MIN.
  - THIS PRODUCT DOESN'T CONTAIN ENVIRONMENTAL HAZARDOUS PER DIRECTIVE 2002/95/EC FOR ROHS COMPLIANT.

KEY M	Au:30 μ"	DI16-NSEB567RLH
	Au:15 μ"	DI16-NSEB467RLH
	GOLD FLASH	DI16-NSEB067RLH
KEY ID	FINISH	PART NO.

COLOR: BLACK  
GENERAL TOLERANCE ±0.20

4

**DST-conn Tech. Co., Ltd.**

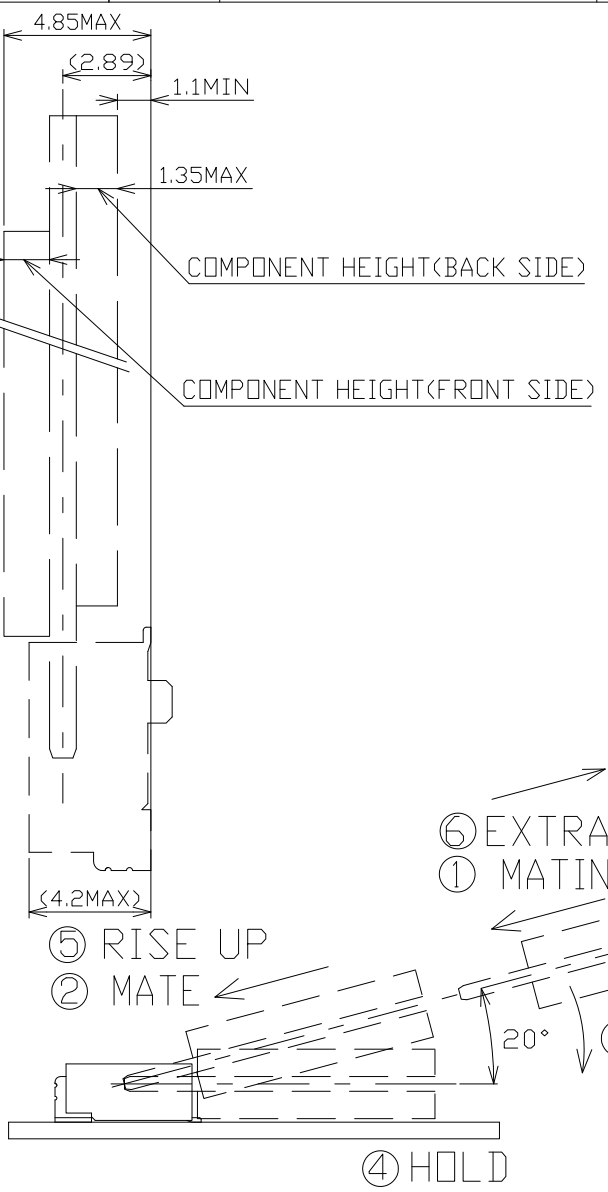
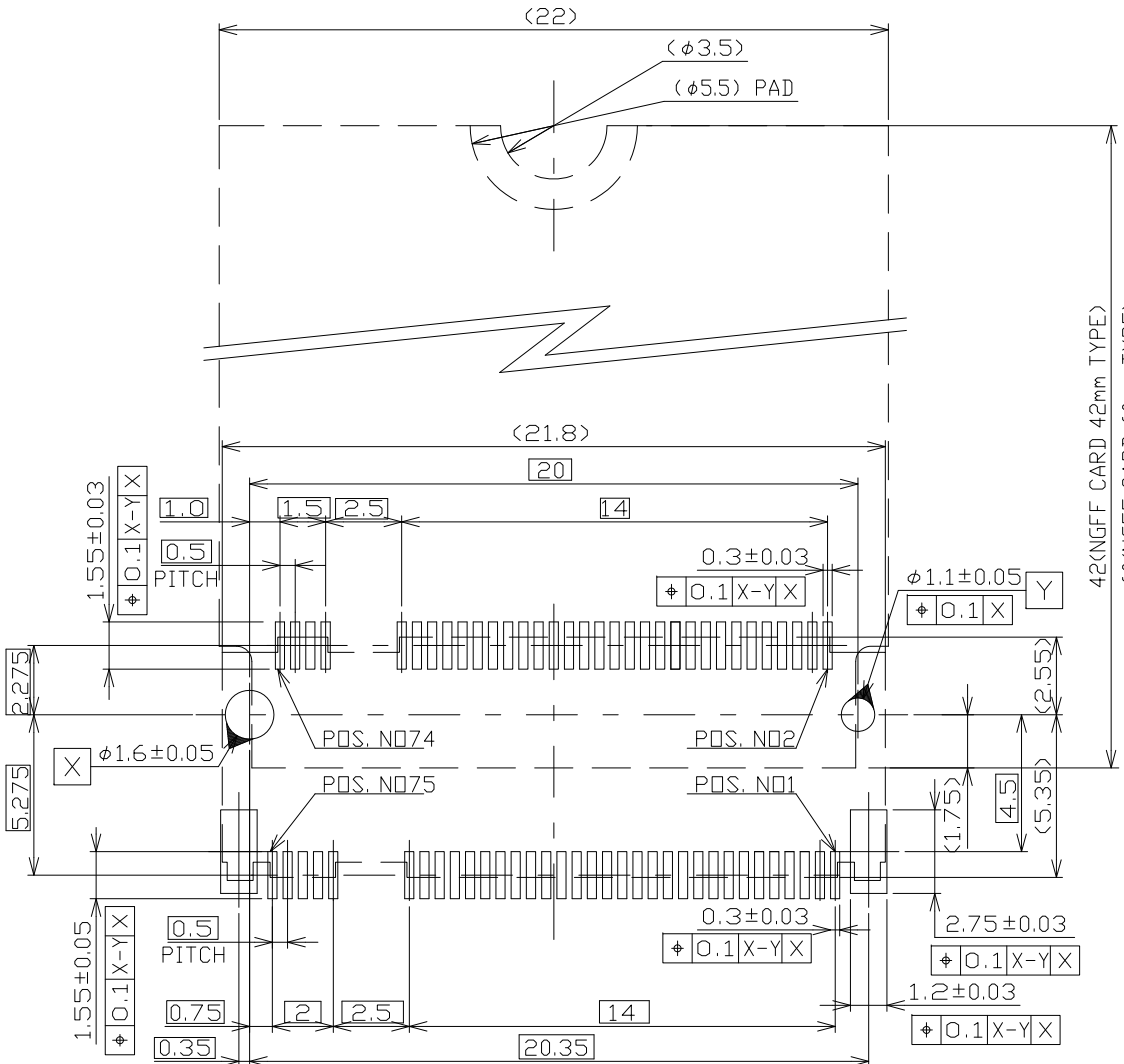
PART NAME	M. 2 CONNECTOR KEY ID "M"/0.5mm PITCH 4H ASSY	DRAWING	Winky	DWG. No.	DI16
PART NO.	DI16-NSEBx67RLH	CHECK	Roy	REV.	A
UNIT : mm	TOLERANCE UNLESS OTHERWISE SPECIFIED	ANGLE	John	DATE	2013. 10. 24
		±3°	SCALE	1:1	PAGE

COPYRIGHT RESERVED, PLEASE DO NOT COPY.

F E D C B A

RoHS Compliant

SYMBOL	REV.	REVISION	APPROVAL	DATE
	A	新版圖紙	Winky	2013. 10. 24



KEY ID "M"  
RECOMMENDED P.C.BOARD LAYOUT

COLOR: BLACK  
GENERAL TOLERANCE ±0.20

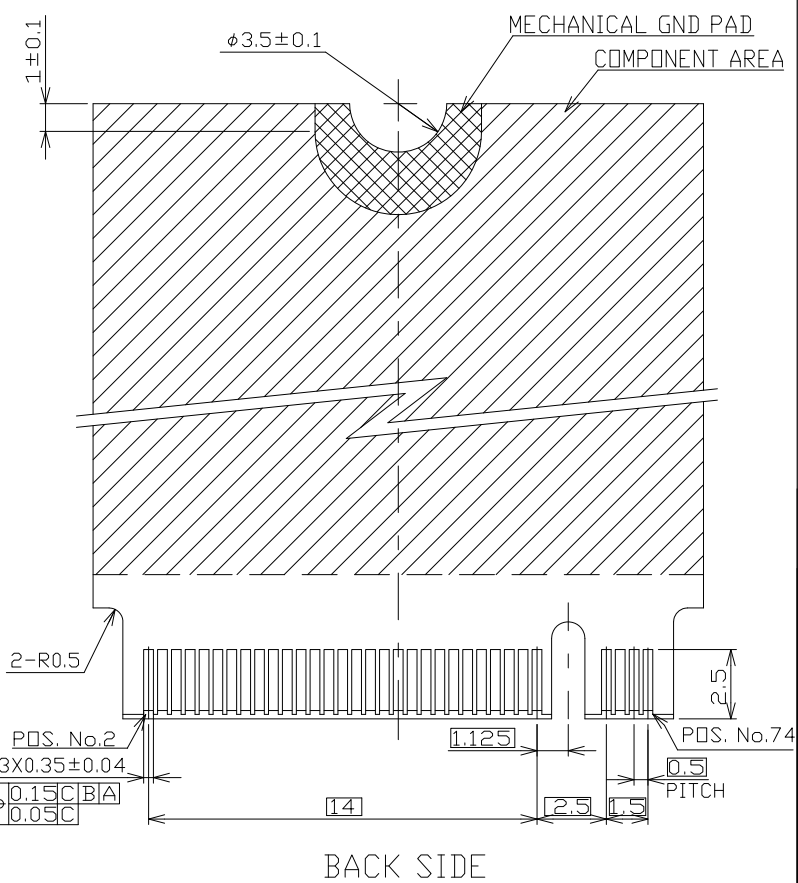
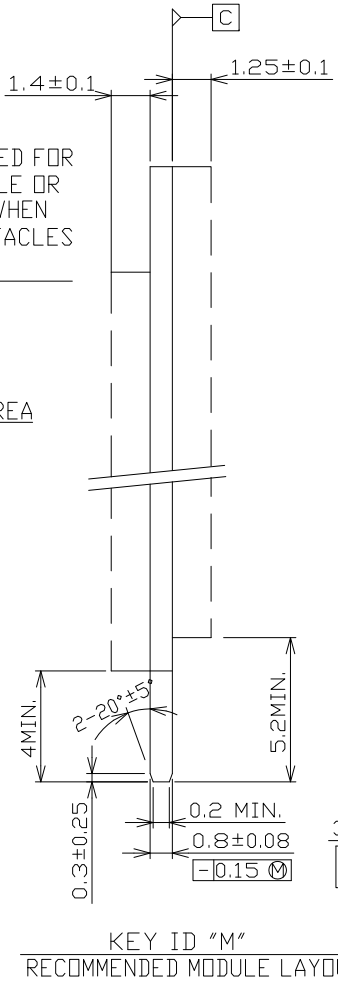
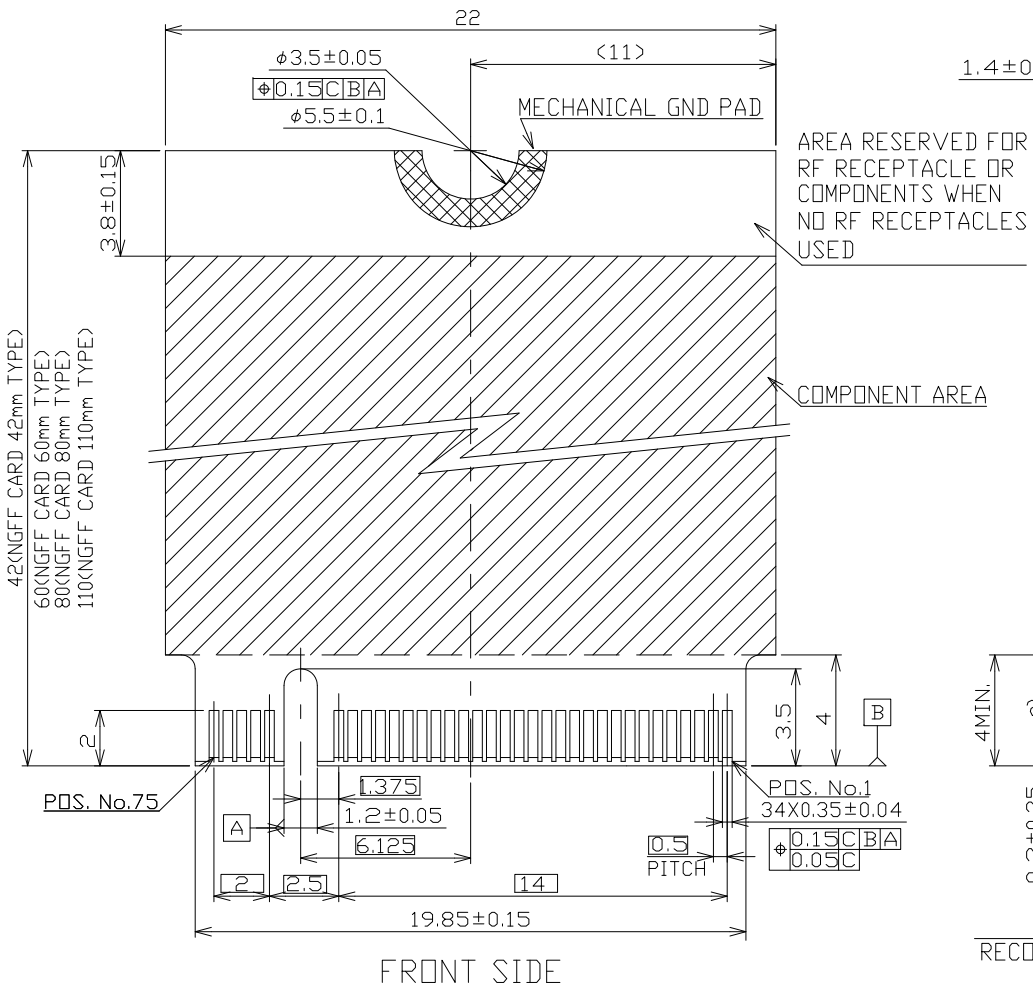
**DST**-conn Tech. Co., Ltd.

COPYRIGHT RESERVED, PLEASE DO NOT COPY.

PART NAME	M. 2 CONNECTOR KEY ID "M"/0.5mm PITCH 4H ASSY	DRAWING	Winky	DWG. No.	D116
PART NO.	DI16-NSEBx67RLH	CHECK	Roy	REV.	A
UNIT : mm	TOLERANCE UNLESS OTHERWISE SPECIFIED	ANGLE	John	DATE	2013. 10. 24
		±3°	SCALE	1:1	PAGE

RoHS Compliant

SYMBOL	REV.	REVISION	APPROVAL	DATE
	A	新版圖紙	Winky	2013. 10. 24



COLOR: BLACK  
GENERAL TOLERANCE ±0.15

**DST-conn Tech. Co., Ltd.**

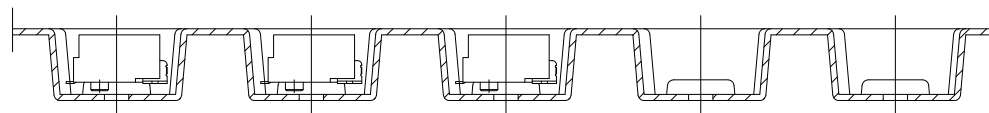
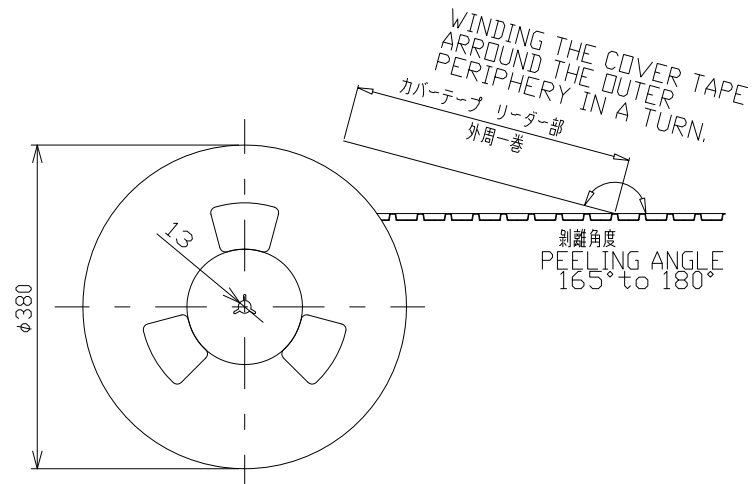
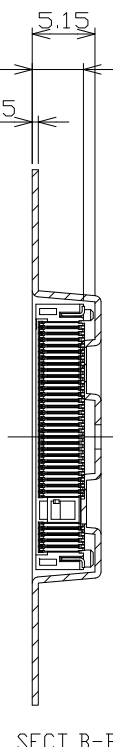
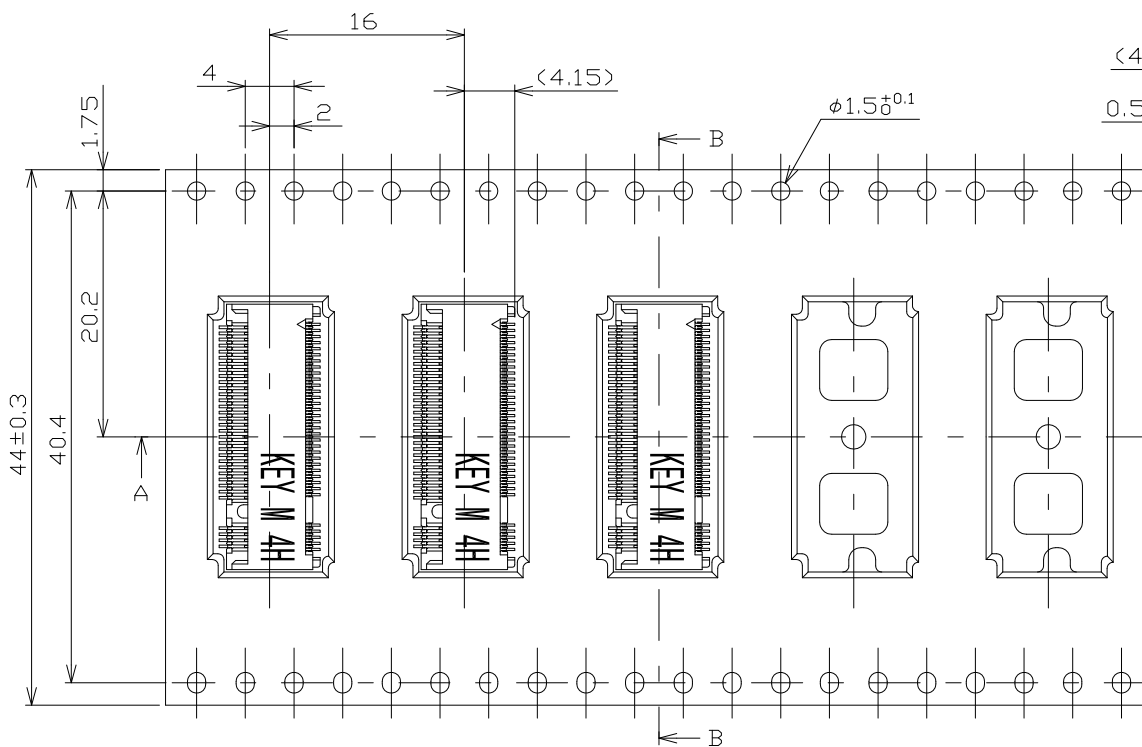
COPYRIGHT RESERVED, PLEASE DO NOT COPY.

PART NAME	M. 2 CONNECTOR KEY ID "M"/0.5mm PITCH 4H ASSY	DRAWING	Winky	DWG. No.	DI16
PART NO.	DI16-NSEBx67RLH	CHECK	Roy	REV.	A
UNIT : mm	TOLERANCE UNLESS OTHERWISE SPECIFIED	ANGLE	John	DATE	2013. 10. 24
		±3°	SCALE	1:1	PAGE

RoHS Compliant

SYMBOL	REV.	REVISION	APPROVAL	DATE
	A	新版圖紙	Winky	2013. 10. 24

DIRECTION OFF TOP OF REEL



- NOTES:
1. THE DIRECTION OF EACH CONNECTOR ON A EMBOSS IS REFERED TO THIS DRAWING.
  2. GENERAL TOLERANCE :  $\pm 0.5$  ,  $\pm 3^\circ$
  3. PACKAGED IN EMBOSS TAPE AND PLASTIC REEL 1000 PCS PRE REEL.

COLOR: BLACK  
GENERAL TOLERANCE  $\pm 0.20$

**DST**-conn Tech. Co., Ltd.

COPYRIGHT RESERVED, PLEASE DO NOT COPY.

PART NAME	M. 2 CONNECTOR KEY ID "M"/0.5mm PITCH 4H ASSY	DRAWING	Winky	DWG. No.	DI16	
PART NO.	DI16-NSEBx67RLH	CHECK	Roy	REV.	A	
UNIT : mm	TOLERANCE UNLESS OTHERWISE SPECIFIED	X. X $\pm 0.20$	APPROVAL	John	DATE	2013. 10. 24
		X. XX $\pm 0.20$				
		X. XXX $\pm 0.20$		1:1		

F E D C B A