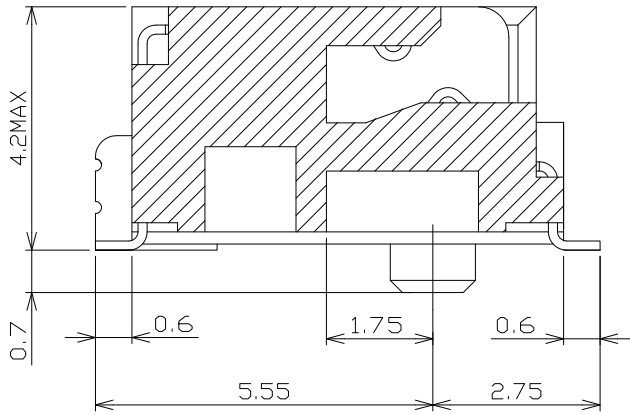
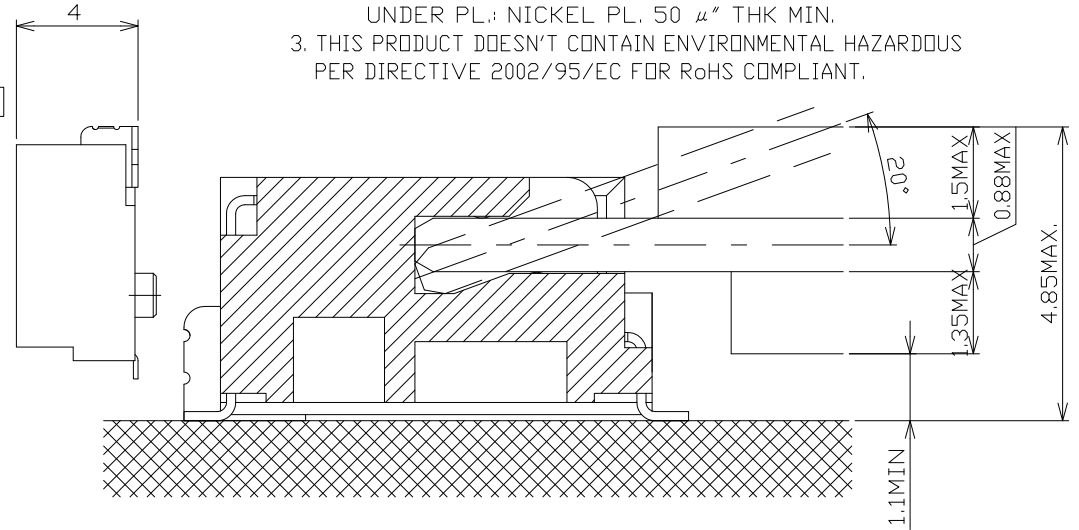
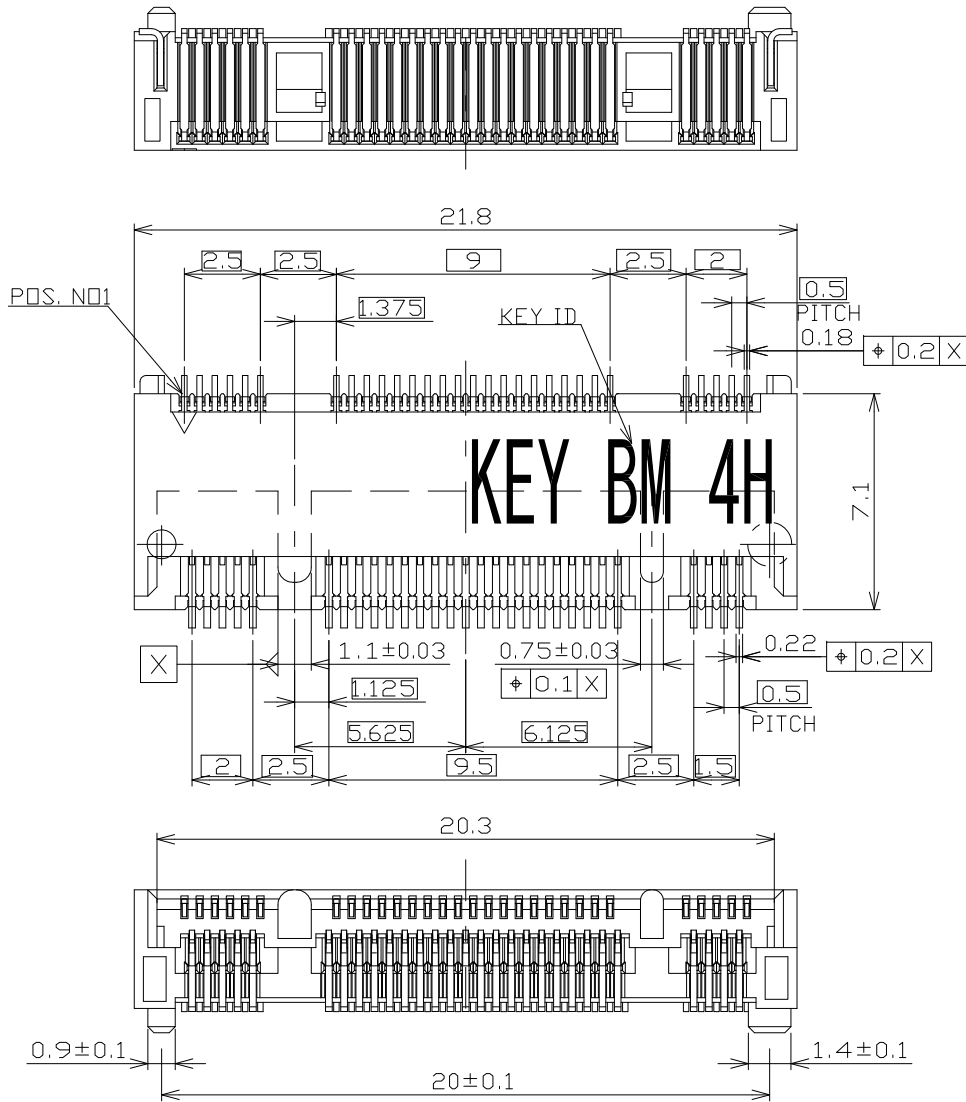


RoHS Compliant

SYMBOL	REV.	REVISION	APPROVAL	DATE
	A	新版圖紙	Winky	2013. 10. 24

- NOTES:
- MATERIAL:  
HOUSING: HIGH TEMPERATURE THERMO PLASTIC UL94V-0  
TERMINAL: COPPER ALLOY  
SOLDER PEG: COPPER ALLOY
  - FINISH:  
TERMINAL:  
CONTACT AREA: SEE CHARTS  
SOLDERING AREA: SEE CHERTS  
UNDER PL.: NICKEL PL. 50 μ" THK MIN.
  - THIS PRODUCT DOESN'T CONTAIN ENVIRONMENTAL HAZARDOUS PER DIRECTIVE 2002/95/EC FOR RoHS COMPLIANT.



KEY BM	Au:30 μ"	DI17-NSEB567RLH
	Au:15 μ"	DI17-NSEB467RLH
	GOLD FLASH	DI17-NSEB067RLH
KEY ID	FINISH	PART NO.

COLOR:BLACK  
GENERAL TOLERANCE  $\pm 0.20$

**DST-conn Tech. Co., Ltd.**

COPYRIGHT RESERVED, PLEASE DO NOT COPY.

PART NAME	M. 2 CONNECTOR KEY ID "BM" /0.5mm PITCH 4H ASSY	DRAWING	Winky	DWG. No.	DI17
PART NO.	DI17-NSEBx67RLH	CHECK	Roy	REV.	A
UNIT : mm	TOLERANCE UNLESS OTHERWISE SPECIFIED	ANGLE	John	DATE	2013. 10. 24
		$\pm 3^\circ$	SCALE	1:1	PAGE

RoHS Compliant

SYMBOL	REV.	REVISION	APPROVAL	DATE
	A	新版圖紙	Winky	2013. 10. 24

1

2

3

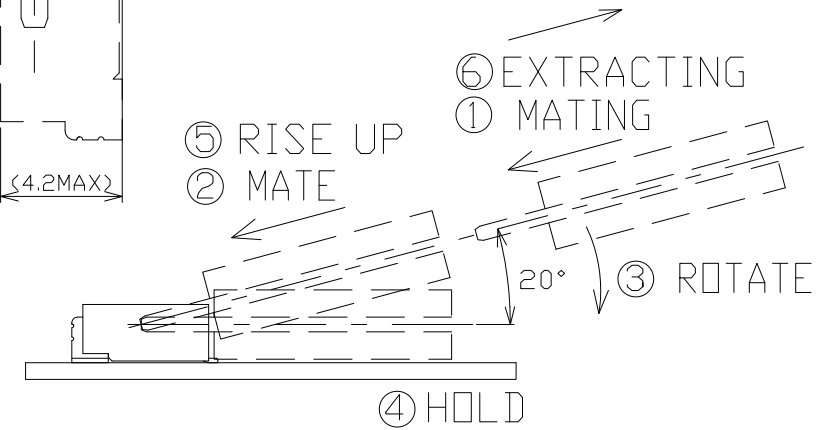
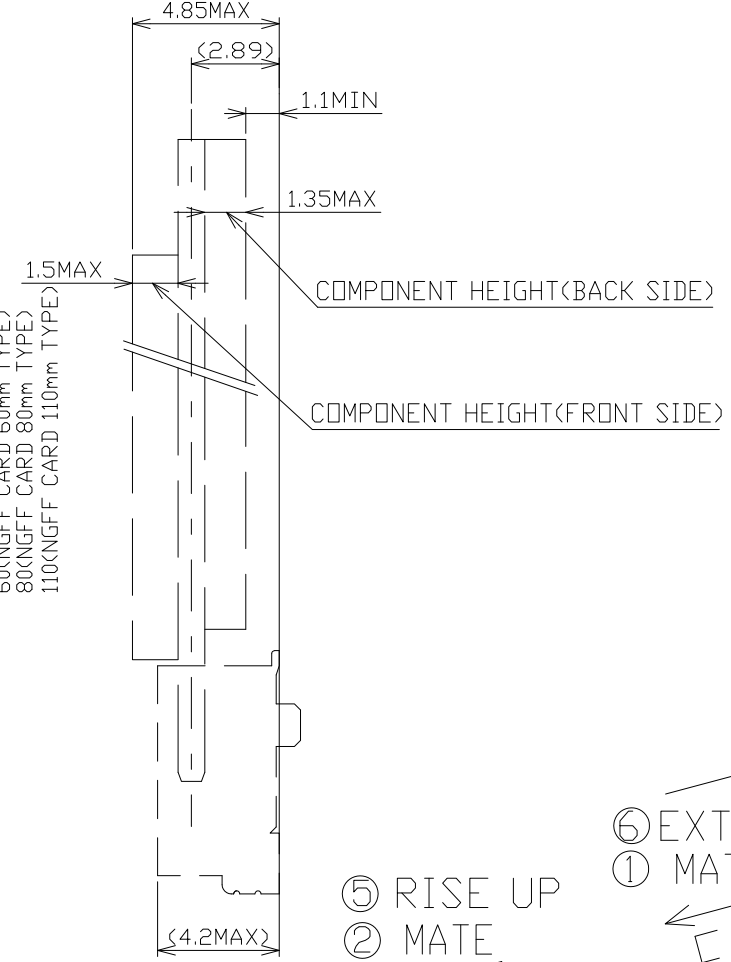
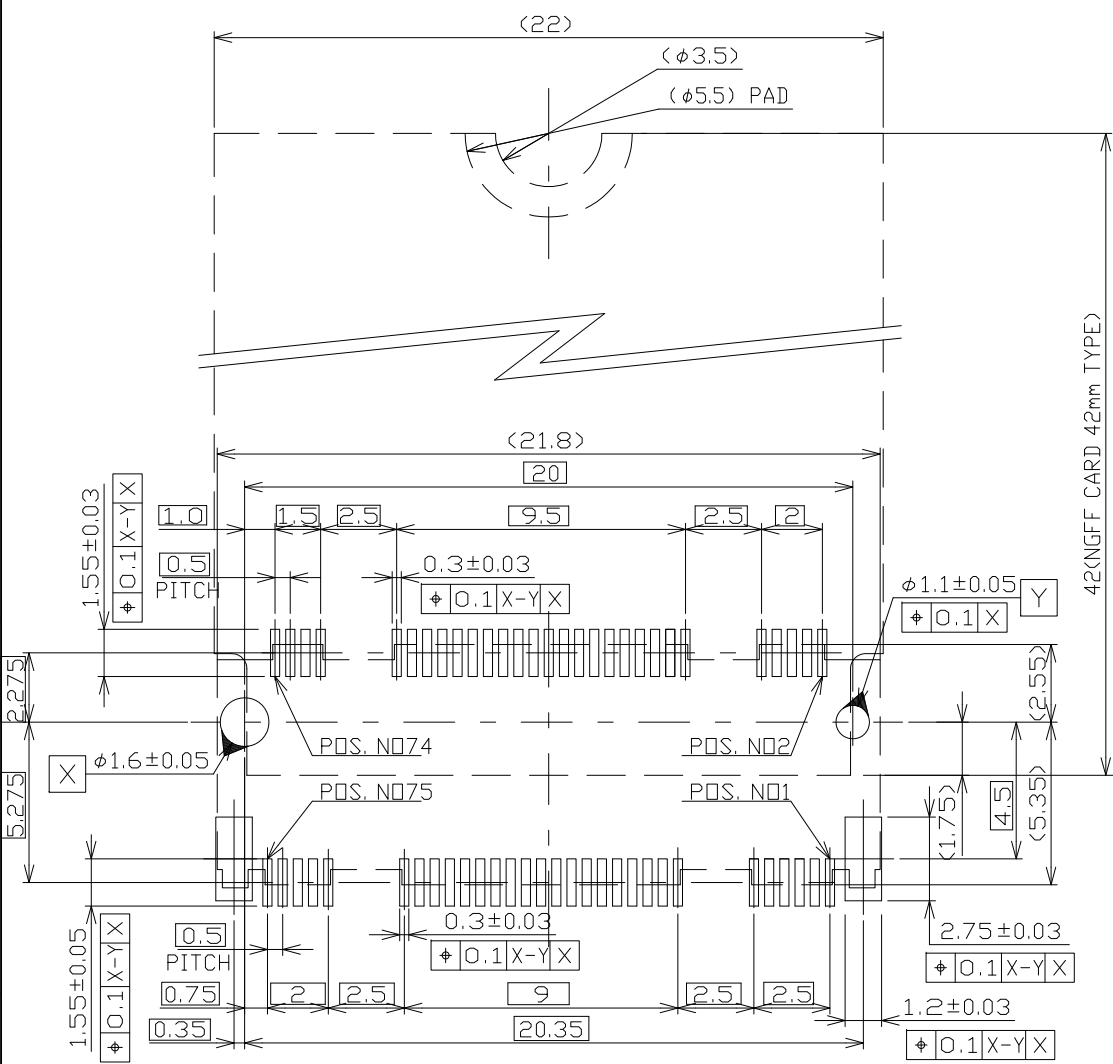
4

1

2

3

4



KEY ID "BM"  
RECOMMENDED P.C.BOARD LAYOUT

COLOR:BLACK  
GENERAL TOLERANCE ±0.20

**DST-conn Tech. Co., Ltd.**

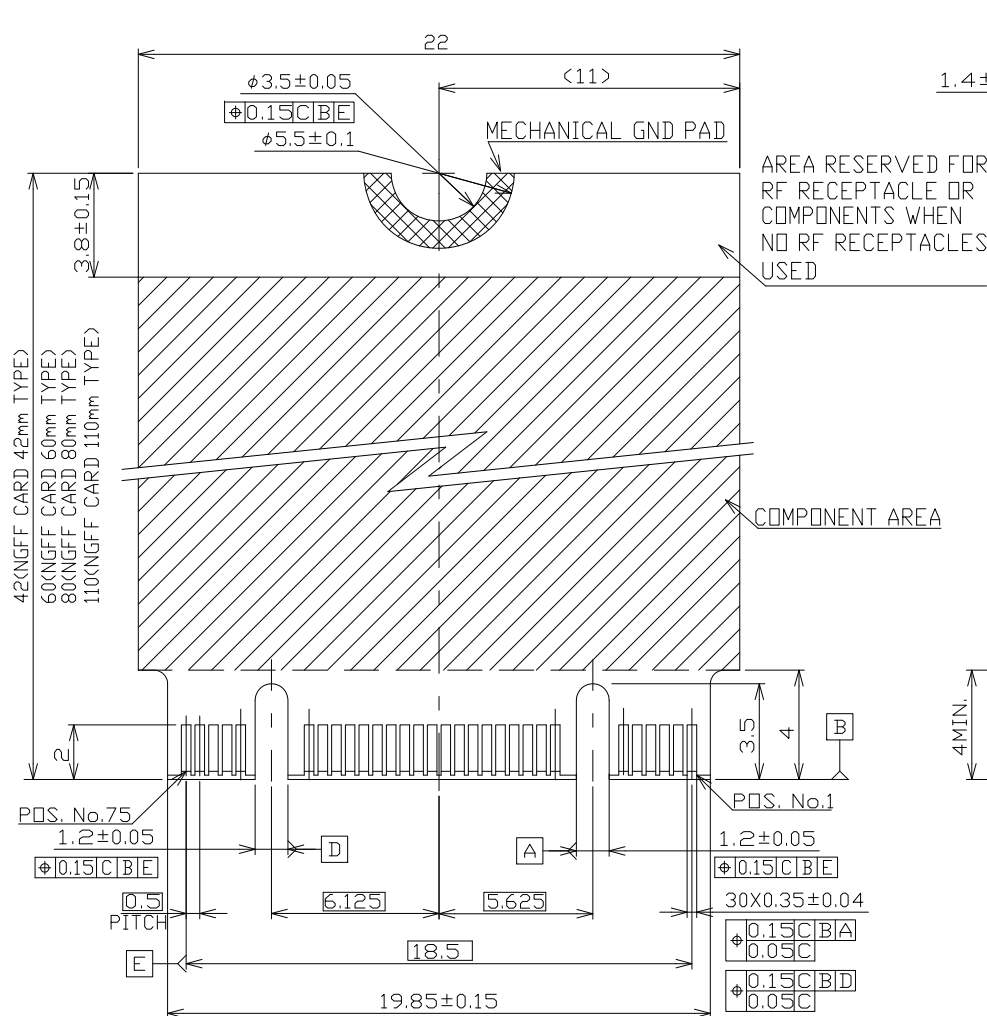
COPYRIGHT RESERVED, PLEASE DO NOT COPY.

	PART NAME	M. 2 CONNECTOR KEY ID "BM" /0.5mm PITCH 4H ASSY	DRAWING	Winky	DWG. No.	D117
	PART NO.	D117-NSEBx67RLH	CHECK	Roy	REV.	A
	UNIT :	TOLERANCE UNLESS OTHERWISE SPECIFIED	ANGLE	John	DATE	2013. 10. 24
	mm		±3°	SCALE	1:1	PAGE

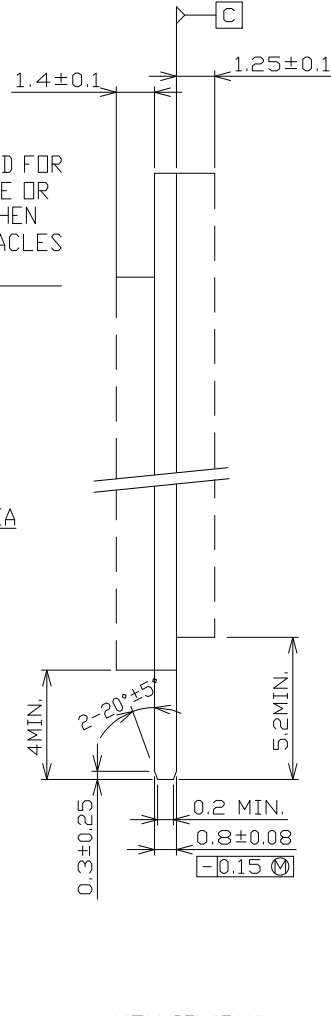
F E D C B A

RoHS Compliant

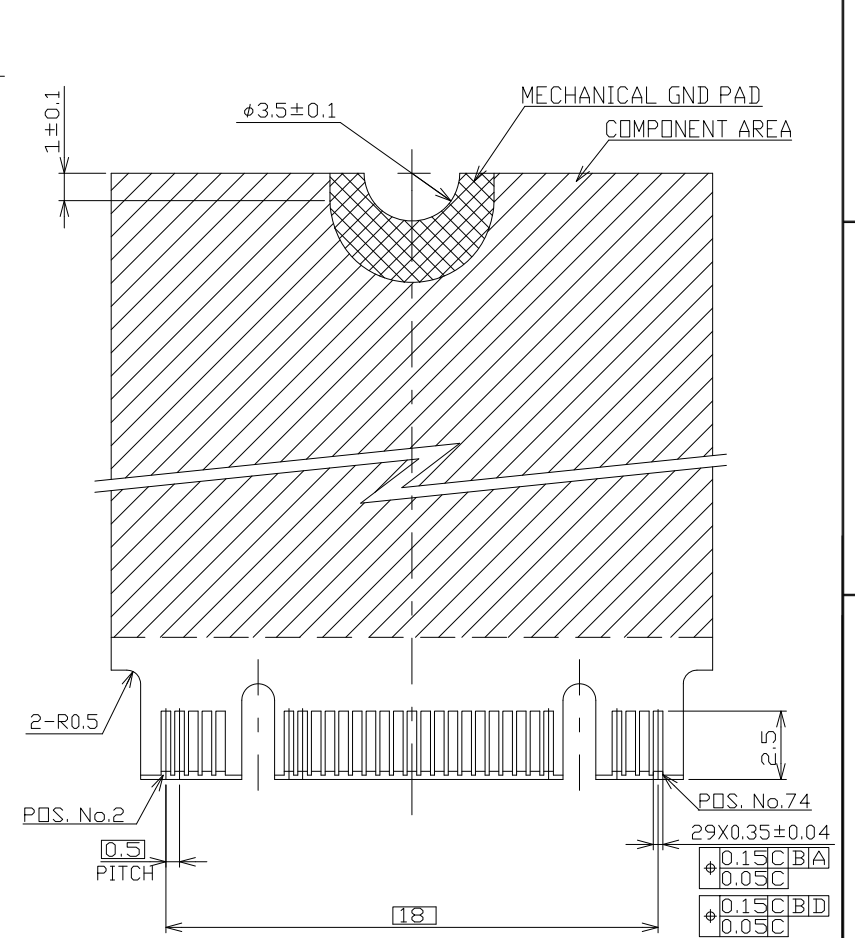
SYMBOL	REV.	REVISION	APPROVAL	DATE
	A	新版圖紙	Winky	2013. 10. 24



FRONT SIDE



KEY ID "BM"  
RECOMMENDED MODULE LAYOUT



BACK SIDE

COLOR:BLACK  
GENERAL TOLERANCE ±0.15

**DST**-conn Tech. Co., Ltd.

COPYRIGHT RESERVED, PLEASE DO NOT COPY.

PART NAME	M. 2 CONNECTOR KEY ID "BM" /0.5mm PITCH 4H ASSY	DRAWING	Winky	DWG. No.	D117
PART NO.	D117-NSEBx67RLH	CHECK	Roy	REV.	A
UNIT : mm	TOLERANCE UNLESS OTHERWISE SPECIFIED	ANGLE	John	DATE	2013. 10. 24
		±3°	SCALE	1:1	PAGE

F E D C B A